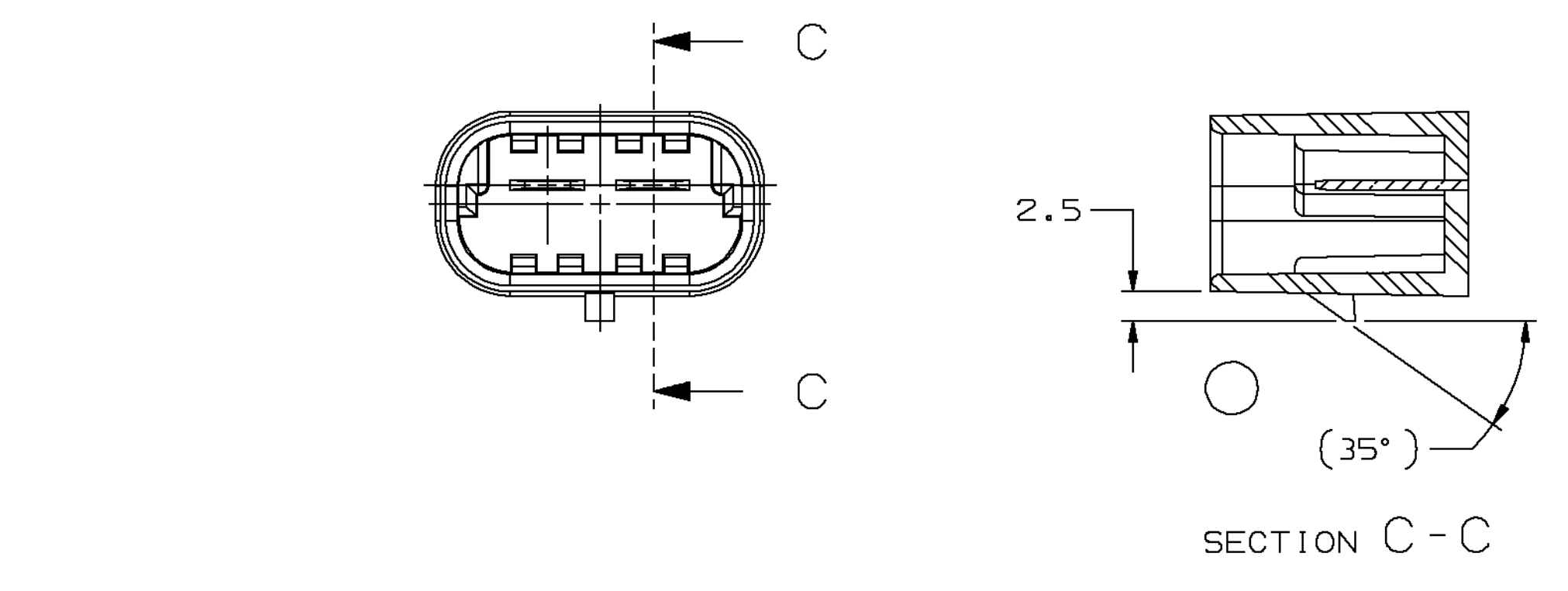
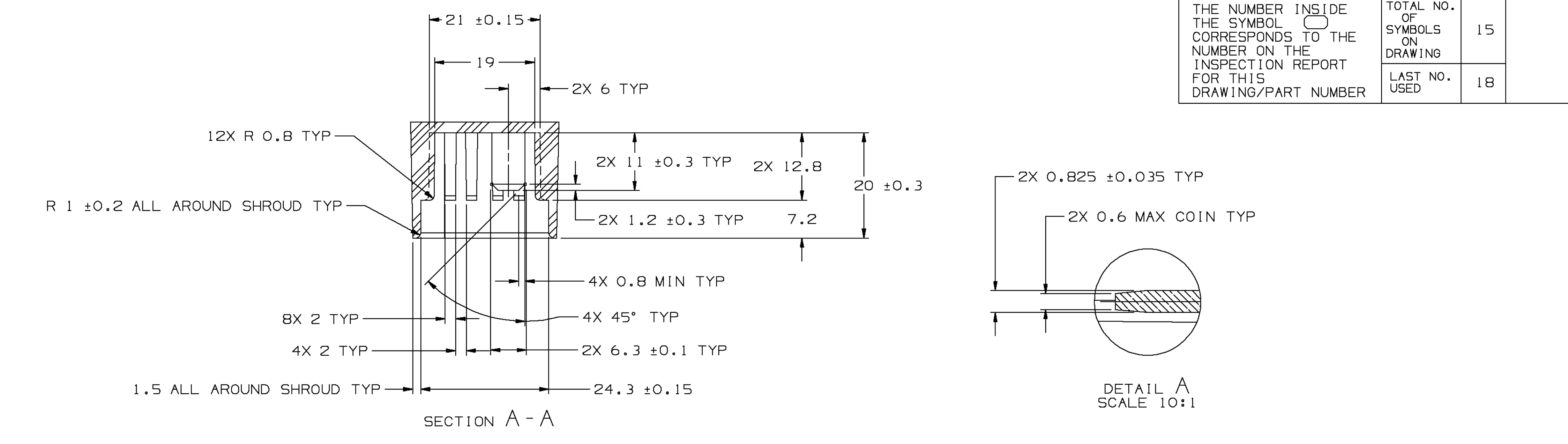
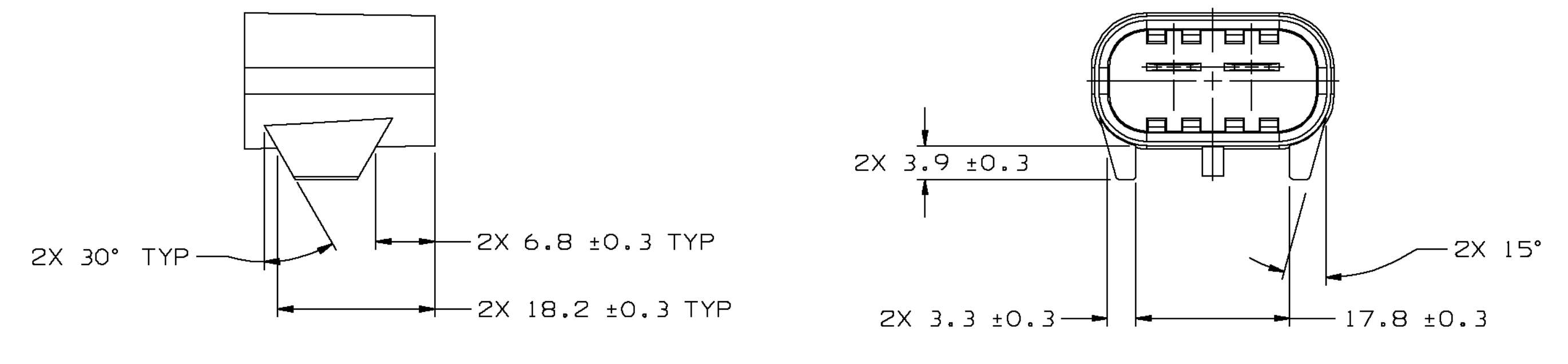


SYMBOL DEFINITION		MISSING NUMBERS	
THE NUMBER INSIDE THE SYMBOL CORRESPONDS TO THE NUMBER ON THE INSPECTION REPORT FOR THIS DRAWING/PART NUMBER	TOTAL NO. OF SYMBOLS ON DRAWING	15	
	LAST NO. USED	18	

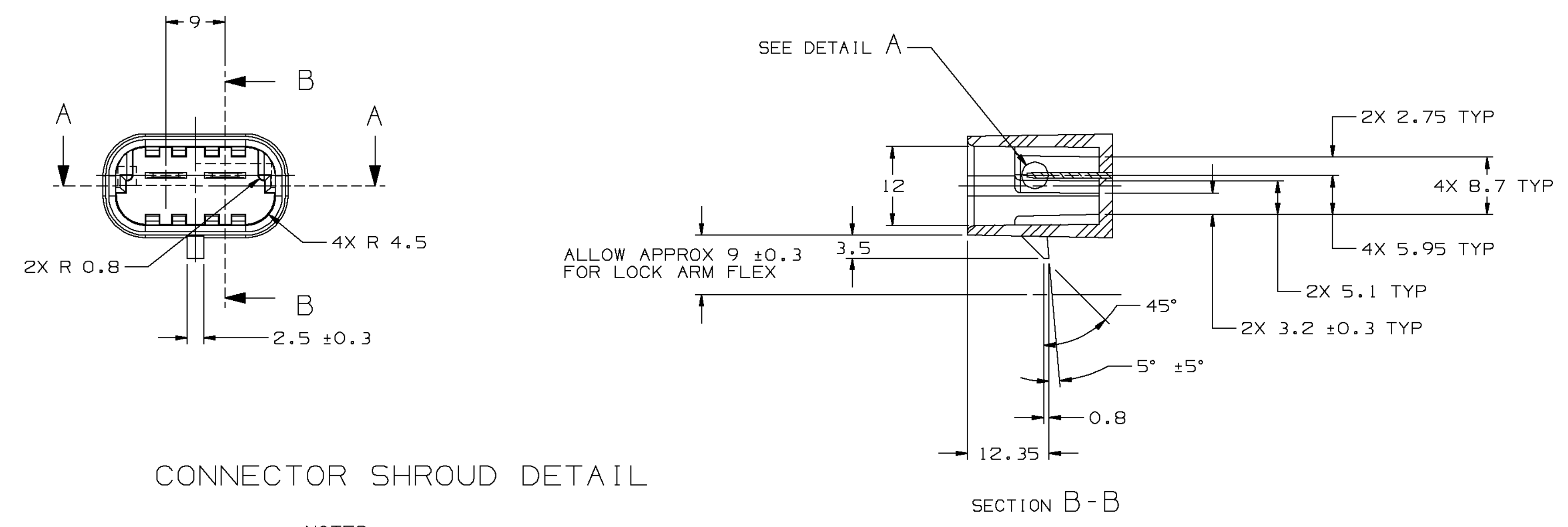
DWG STATUS	DATE	STG	REV	N/P	CHG	ZONE	REVISION HISTORY			AUTH	DR	APVD	APVD
20AUG02	R	03	-	-	-	-	CLEARED REV COLUMN: ALL PARTS - ADDED OPTIONAL CONSTRUCTION FOR LOCK RAMP TO MATING PART INFO			228348	JAA	JAA	JRH



LOCK RAMP OPTIONAL CONSTRUCTION

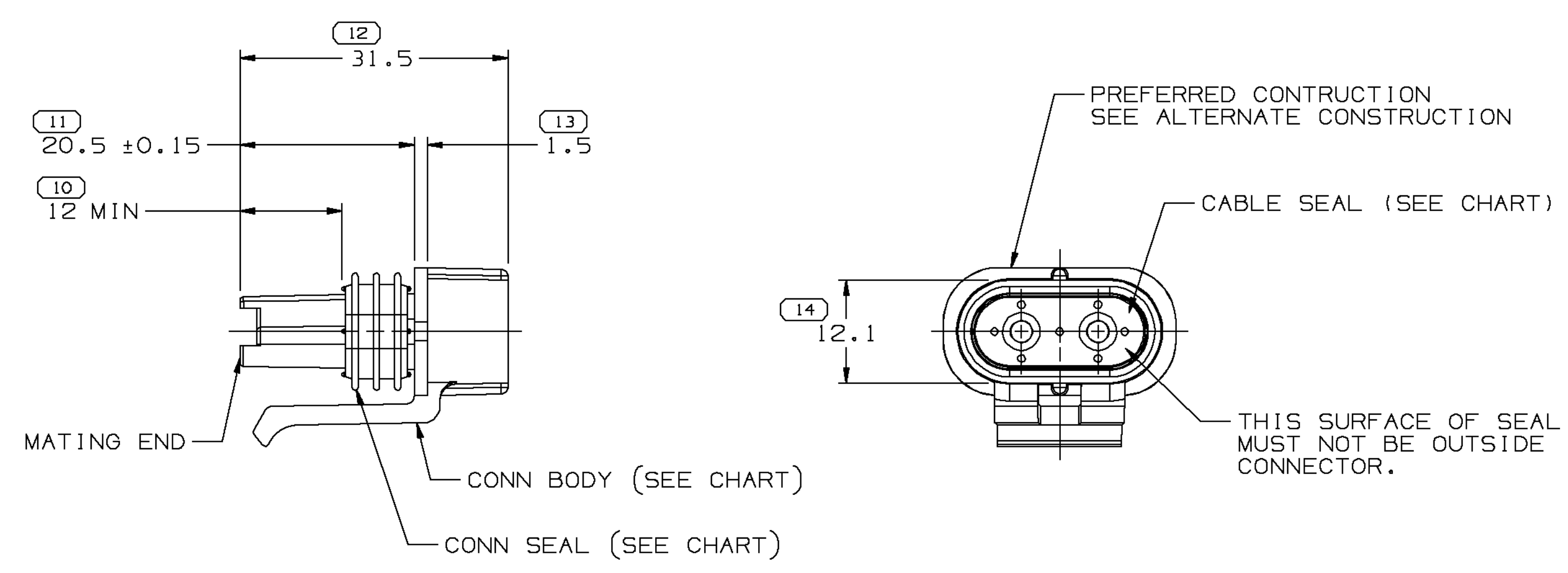
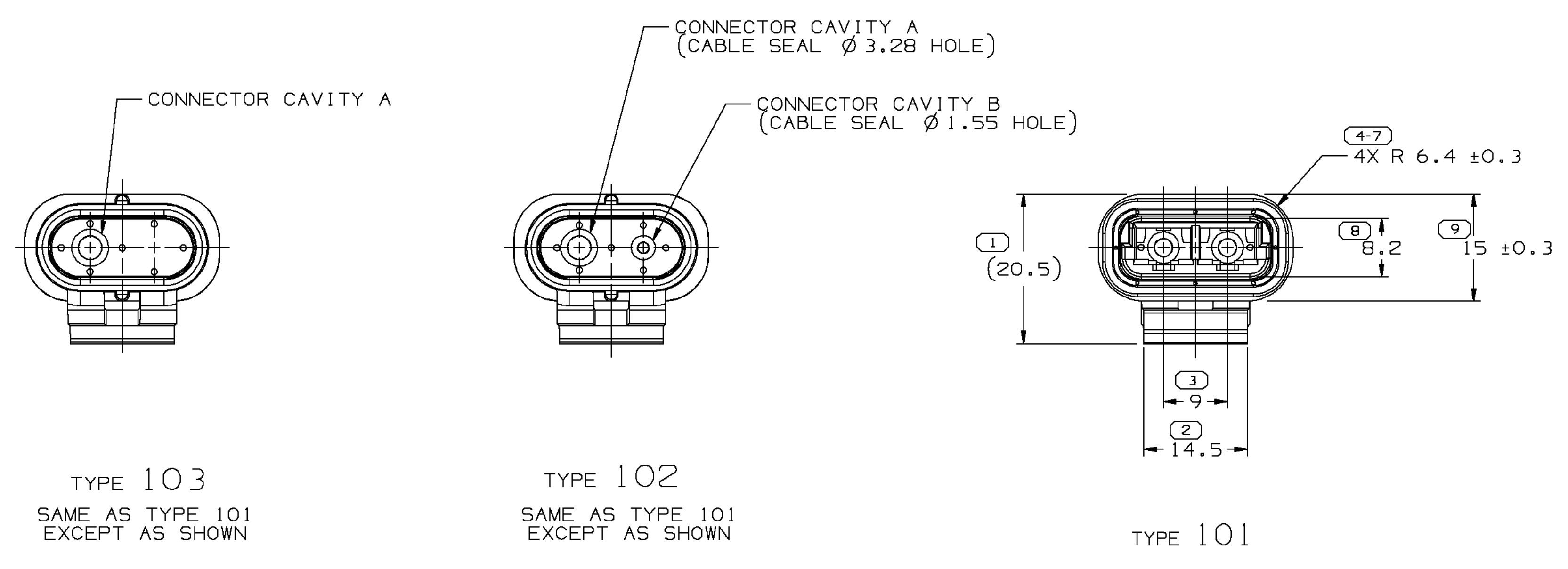


OPTIONAL CONSTRUCTION

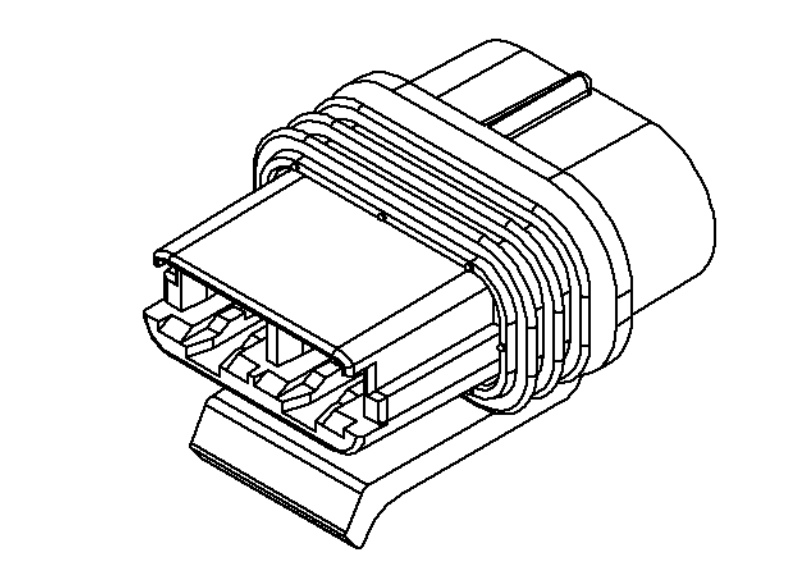


CONNECTOR SHROUD DETAIL

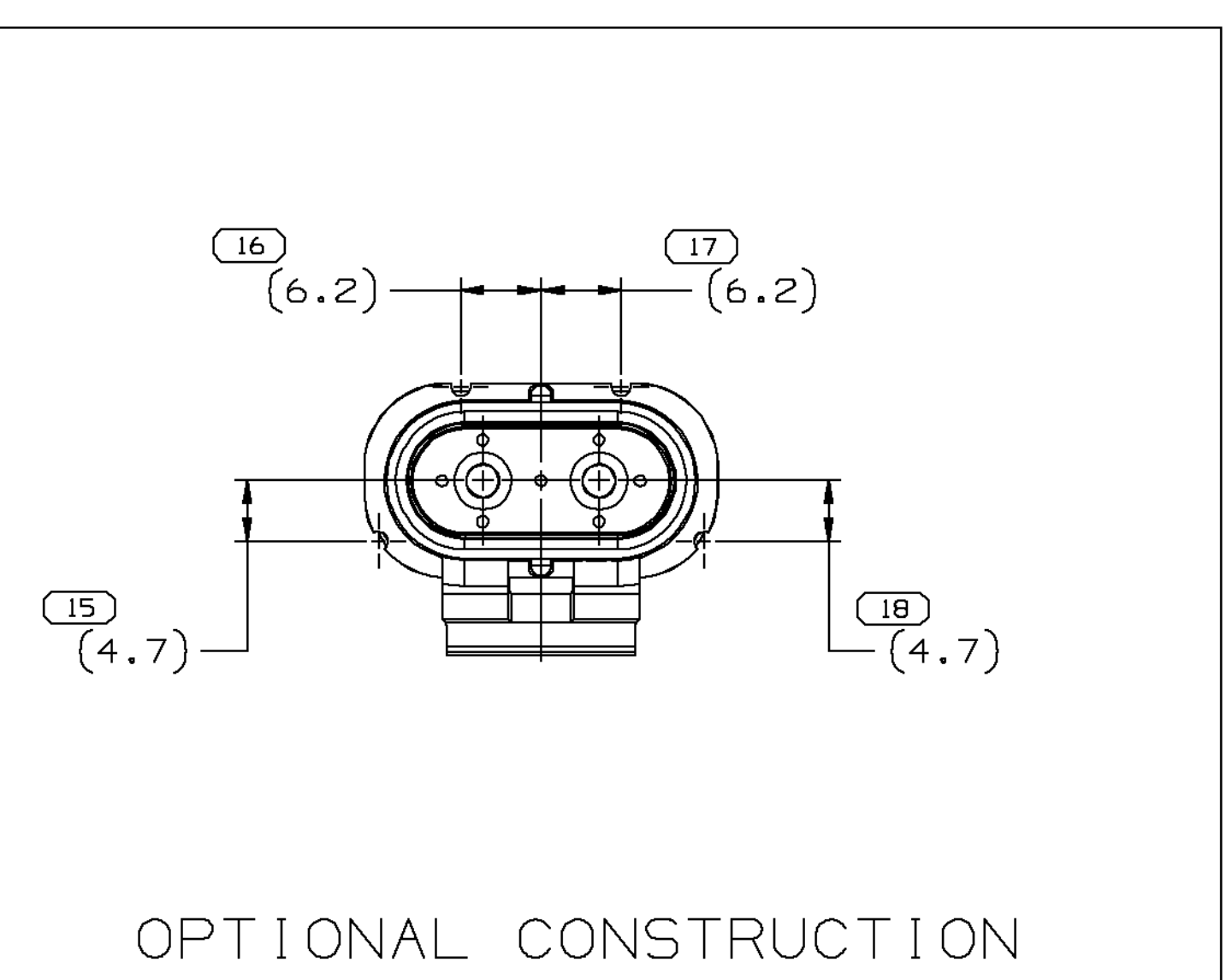
- NOTES
- UNLESS OTHERWISE SPECIFIED AND/OR INDICATED: DIMENSIONS ARE TO FACE OF VIEW SHOWN AND AUTOMATICALLY ROUNDED BY COMPUTER FOR INSPECTION. (SEE MATH MODEL FOR PRECISE DIMENSIONS.) FOR ALL OTHER DIMENSIONS NOT SHOWN BUT REQUIRED FOR TOOL BUILD, SEE MATH MODEL FOR PRECISE TOOL PATH DATA. ALL RADII 0.4 DRAFT IS 0° 30' ON ALL OUTSIDE SURFACES
 - SHROUD MATYERIAL NYLON 66 OR EQUIVALENT.



- NOTES
- UNLESS OTHERWISE SPECIFIED AND/OR INDICATED: DIMENSIONS ARE TO FACE OF VIEW SHOWN AND AUTOMATICALLY ROUNDED BY COMPUTER FOR INSPECTION. (SEE MATH MODEL FOR PRECISE DIMENSIONS.) FOR ALL OTHER DIMENSIONS NOT SHOWN BUT REQUIRED FOR TOOL BUILD, SEE MATH MODEL FOR PRECISE TOOL PATH DATA.
 - THIS PART ACCEPTS THE FOLLOWING COMPONENTS OR EQUIVALENT: CAVITIES TO ACCEPT TERMINAL 12020156
 - MATING COMPONENTS OR EQUIVALENT: AUTOFUSE COVER 12033731 & IN-LINE CONNECTOR 12034269
 - THIS PART IS NOT CONTROLLED FOR AUTOMATIC FEEDING.
 - FOR LEAD LENGTH CALCULATIONS, DISTANCE FROM MATING END OF CONNECTOR TO FRONT OF CABLE CORE IS 13.35 ± 1.7
 - WHEN PARTS ARE SHIPPED, THEY MUST BE PACKED IN PLASTIC BAGS OR SHIPPING CONTAINERS LINED WITH PLASTIC LINERS. BAGS OR LINERS MUST BE SEALED TO AVOID ENTRY OF FOREIGN MATTER.
 - SEALING CODE 3 - DESIGN WILL PASS SALT FOG AND IMMERSION TEST AFTER CONDITIONING AS SPECIFIED IN ESA-644 (WEATHER-PACK), ESA-710 (METRI-PACK), ESA-650 (UNDERHOOD MICRO-PACK), C-4006 (WORLD CONNECTOR), ETC. - WHEN MATED TO MATING PART OR EQUIVALENT



VIEW SCALE DOES NOT REFLECT ACTUAL PART SIZE



OPTIONAL CONSTRUCTION

PART NO	STG	REV	N/P	STATUS	TYPE	CONN BODY	CONN SEAL	CABLE SEAL
15404837	R	01	AA		101	12089269	12077383	12040972 (GRN)
12103658	R	A2			103	12020341	12077383	12103586 (GRA LT)
12103172	R	A2			101	12103171	12077383	12040972 (GRN)
12092677	R	A2			102	12020341	12077383	12092676 (BLU)
12092449	R	A2			101	12089269	12077383	12066680 (GRA LT)
12085030	R	A2			101	12020341	12077383	12085024 (GRN LT)
12066681	R	A2			101	12020341	12077383	12066680 (GRA LT)
12033769	R	E2			101	12020341	12077383	12040972 (GRN)

FROM	TO	TOLERANCE UNLESS OTHERWISE SPECIFIED	CHART	ET
0	20	±0.15	1	1
20	30	±0.2	1	1
30	50	±0.3	1	1
50	100	±0.4	1	1
100	150	±0.5	1	1
150	200	±0.6	1	1
200	250	±0.8	1	1
250	300	±1	1	1
300	400	±1.2	1	1

DELPHI
DELPHI PACKARD ELECTRIC SYSTEMS
WARREN, OH

DATE	DR	APVD	APVD
22 JUN 87	ROGER SHAUB		
25 JUN 87	D. RAMUNNO		
30 JUN 87	R. NAGEL		
01 JUL 87	A. WINYARD		

DRAWING NUMBER: 12066697

SIZE: A0 SCALE: 2:1 FRAME NO: 1 OF 1 SHEET NO: 1 OF 1 STG REV: 03