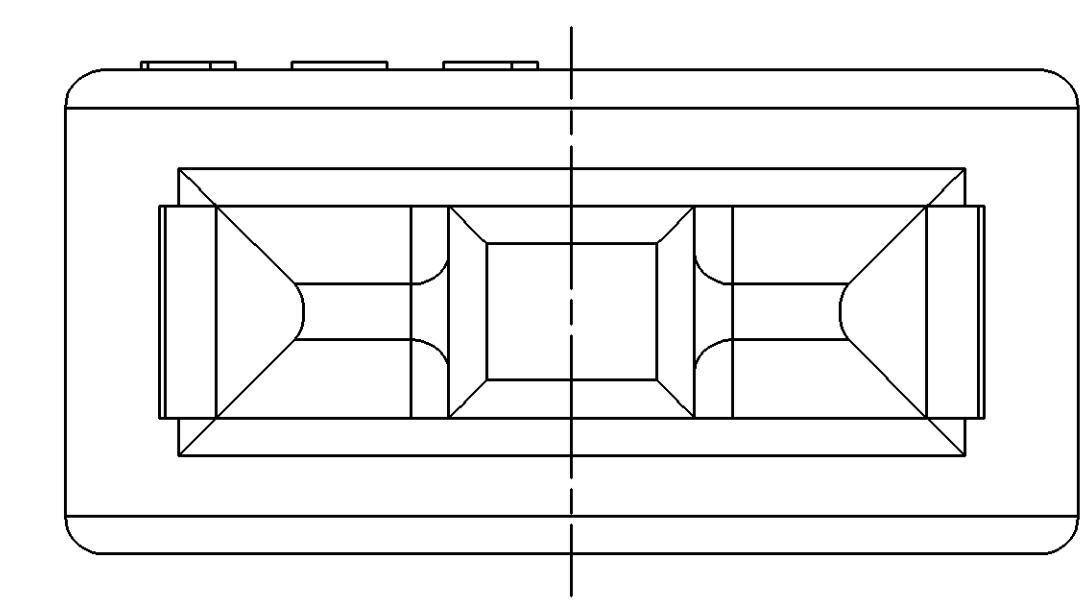
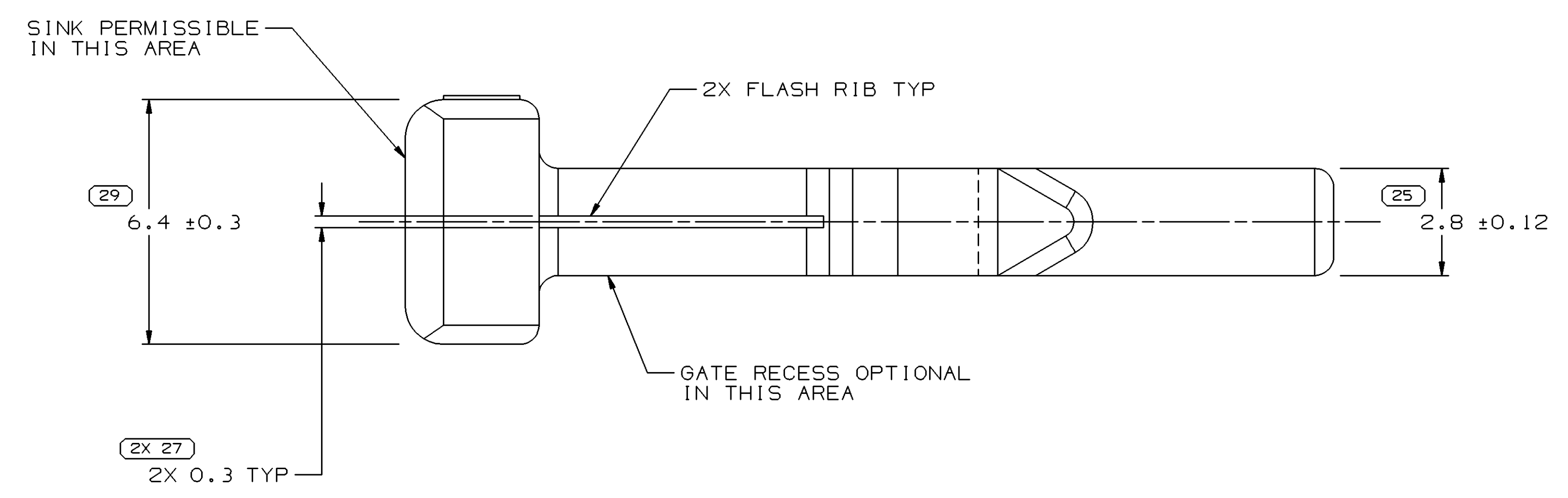
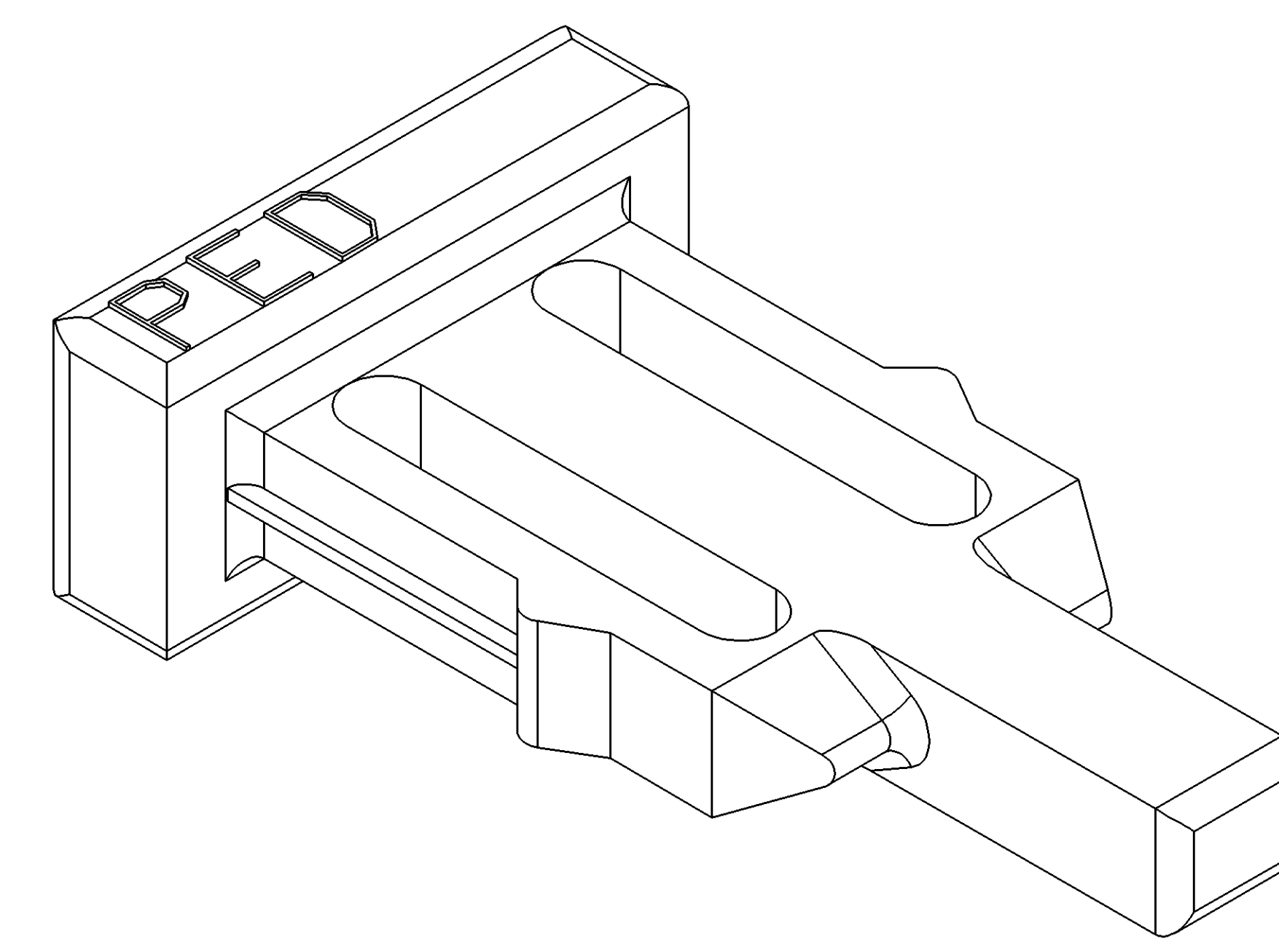
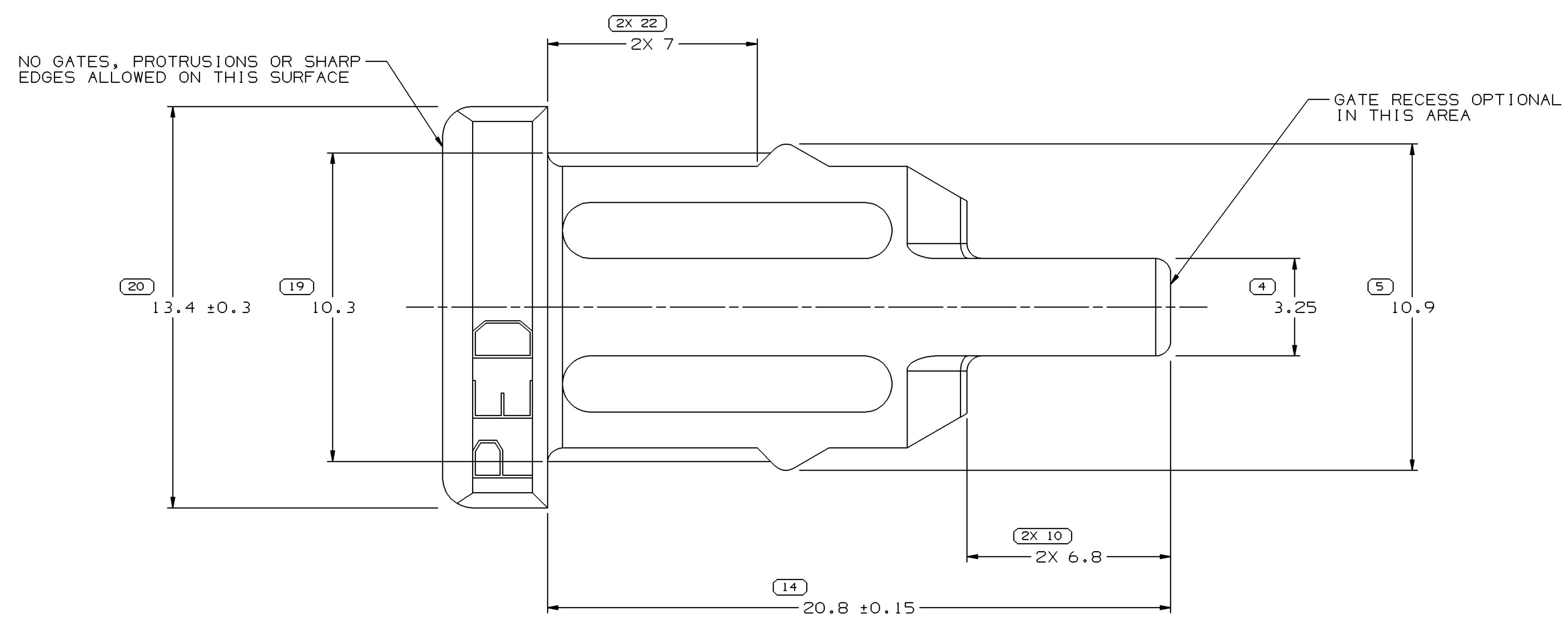


| SYMBOL DEFINITION | | TOTAL NO OF INSPECTIONS REQUIRED | | MISSING SYMBOLS | | DWG STATUS | | | | REVISION HISTORY | | AUTH | DR | APVD | |
|--|--|----------------------------------|--|---|--|------------|-----|-----|-----|------------------|------|--|--------|------|-----|
| A DIMENSION WITHOUT AN INSPECTION REPORT SYMBOL DOES NOT REQUIRE INSPECTION. IT MAY BE CONTROLLED ON THE INDIVIDUAL COMPONENT DRAWING. | | | | | | DATE | STG | REV | N/P | CHO | ZONE | | | | |
| | | 13 | | 1-3 6-9 11-13 15-18 21 23-24 26 28 30-31 | | 18MR04 | R | 03 | - | - | | CLEARED REV COL; REDRAWN TO PD AND MAT'L SPEC WAS R0367551 | 252984 | CCV | FRG |
| LAST NO. USED | | 31 | | | | 290C04 | R | 03 | AA | - | | TOD CREATED | 260721 | END | END |



NOTES

- UNLESS OTHERWISE SPECIFIED AND/OR INDICATED: DIMENSIONS ARE TO FACE OF VIEW SHOWN AND AUTOMATICALLY ROUNDED BY COMPUTER FOR INSPECTION (SEE MATH MODEL FOR PRECISE DIMENSIONS). FOR ALL OTHER DIMENSIONS NOT SHOWN BUT REQUIRED FOR TOOL BUILD, SEE MATH MODEL FOR PRECISE TOOL PATH DATA. ALL RADII 0.5 DRAFT IS 0°30" MAX ON ALL OUTSIDE SURFACES
- THIS PART IS NOT CONTROLLED FOR AUTOMATIC FEEDING.
- MATING COMPONENT IS 12092597 OR EQUIVALENT
- (2)X(0.1) DELPHI CORPORATE BRAND TO BE LOCATED ON ANY EXTERIOR SURFACE, PREFERABLY VISIBLE AT FINAL ASSEMBLY. OPTIONAL CONSTRUCTION TO BE "PED", OR NO LOGO.
- TOOL CAVITY IDENTIFICATION SHOULD BE LOCATED AS CLOSE TO THE GATE AS POSSIBLE.
- MATERIAL RECYCLING CODE PER ISO 11469, (2)X(0.1) CHARACTERS AS SHOWN TO BE LOCATED ON ANY EXTERIOR SURFACE, OPTIONAL CONSTRUCTION TO BE NO MATERIAL RECYCLING CODE.

| | | | |
|---|-------|------------------------|-------|
| DIMENSIONAL RANGE (MM) | | CHART SET | |
| FROM | TO | FROM | TO |
| > 0 | > 20 | > 70 | > 100 |
| > 20 | > 30 | > 100 | > 150 |
| > 30 | > 70 | > 150 | > 200 |
| > 70 | > 100 | > 200 | > 250 |
| > 100 | > 150 | > 250 | > 300 |
| > 150 | > 200 | > 300 | > 400 |
| TOLERANCE UNLESS OTHERWISE SPECIFIED | | USE MATH DATA | |
| ±0.15 ±0.2 ±0.3 ±0.4 ±0.5 ±0.6 ±0.8 ±1 ±1.2 | | THIRD ANGLE PROJECTION | |
| ANGULAR TOLERANCE ±2° | | DO NOT SCALE | |

DELPHI
DELPHI PACKARD ELECTRIC SYSTEMS
WARREN, OH

| | |
|-----------------------|-----------|
| DR | DATE |
| RON BALDWIN | 11 JUL 89 |
| APVD1 STEWART L. YANG | 15NOB89 |
| APVD2 STEWART L. YANG | 15NOB89 |
| APVD3 R.C. SUMNER | 15NOB89 |
| APVD4 | |
| APVD5 | |

THIS DOCUMENT IS IN ACCORDANCE WITH ASME Y14.5M-1994 AS AMENDED BY THE 04 & 05A DIMENSIONING AND TOLERANCING ADDENDUM-2001. SEPARATE PATTERNING OF FEATURES MAY BE OBTAINED SEPARATELY. REWORK OF DATUM REFERENCES.

ALL DIMENSIONS ARE IN MILLIMETERS

UNLESS OTHERWISE SPECIFIED

REFERENCE

12092873

SIZE A0 SCALE 10:1 FRAME NO 1 OF 1 SHEET NO 1 OF 1 REV N/P R 03 AA