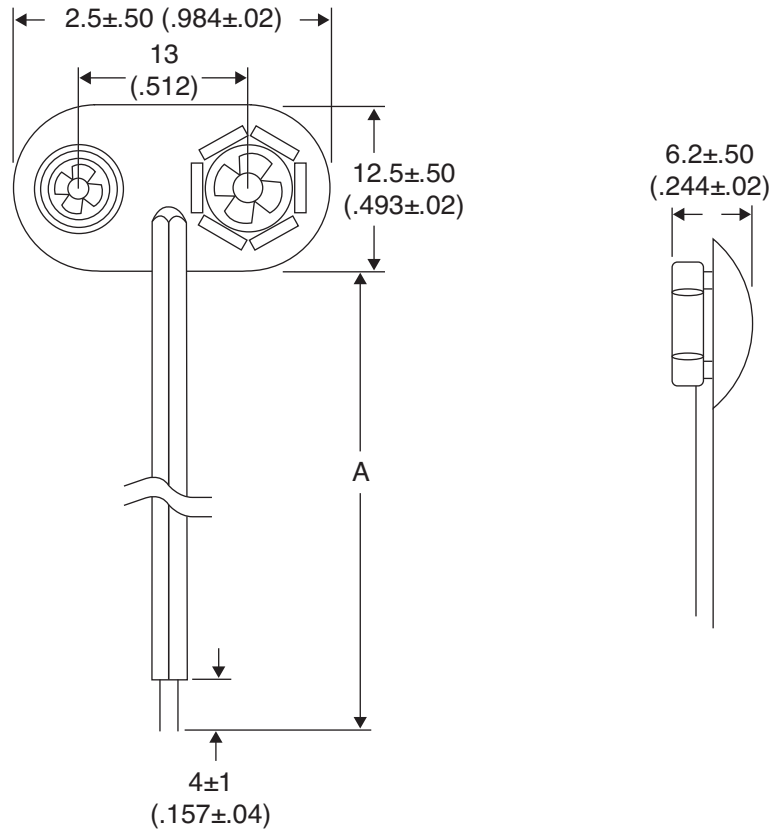


"O" Type Battery Snaps

121-0426/O-GR, 121-0626/O-GR, 121-0424/O-GR,
121-0624/O-GR, 121-0422/O-GR, 121-0622/O-GR

Date Last Revised: 10-3-08



Dimensions: mm (in.)

Mouser Stock No.	A
121-0426/O-GR	"O" 4" 26AWG
121-0626/O-GR	"O" 6" 26AWG
121-0424/O-GR	"O" 4" 24AWG
121-0624/O-GR	"O" 6" 24AWG
121-0422/O-GR	"O" 4" 22AWG
121-0622/O-GR	"O" 6" 22AWG

SPECIFICATIONS	
Material:	P.V.C. Cover, Black Color
6 Prong Snap Terminal:	Brass Nickel Plated
Wire:	Black and Red, Strip & Tin
RoHS Compliant	

Available from Mouser Electronics
1-800-346-6873
www.mouser.com

EPD-200739