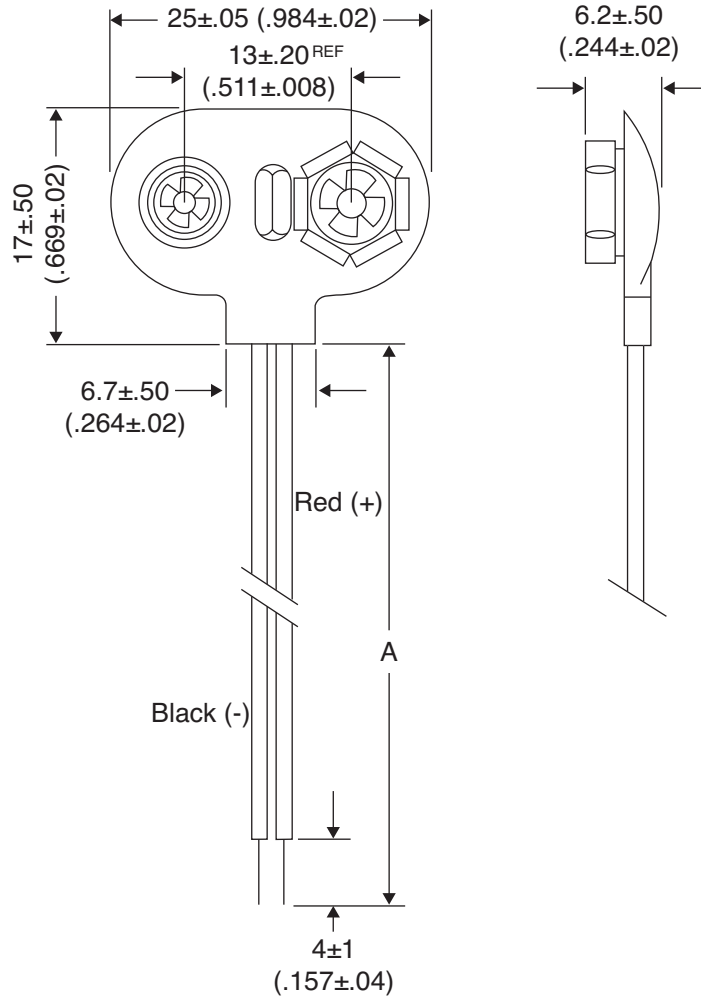


“T” Type Battery Snaps

121-0426/T-GR, 121-0526/T-GR, 121-0626/T-GR,
121-0826/T-GR, 121-1026/T-GR

Date Last Revised: 8/19/09



Dimensions: mm (in.)

Mouser Stock No.	A
121-0426/T-GR	"T" 4" 26AWG
121-0526/T-GR	"T" 5" 26AWG
121-0626/T-GR	"T" 6" 26AWG
121-0826/T-GR	"T" 8" 26AWG
121-1026/T-GR	"T" 10" 26AWG

SPECIFICATIONS	
Material:	P.V.C. Cover, Black Color
Terminal:	6 Prongs
Wire:	AWG26, Black and Red, Strip & Tin
Snaps:	Nickel Plated Brass
RoHS Compliant	

Available from Mouser Electronics
1-800-346-6873
www.mouser.com

EPD-200738