

# TK 2518 – Polystyrene and Polycarbonate – 254 x 180 mm (10.0 x 7.09 in.)

## Standard Features

- **Protection Level:** IP66 (NEMA Type: 4X and 12/12K)
- **Technical:** Smooth or Knockout Sidewalls  
Gray or Tinted Transparent Cover  
Multiple Enclosure Mounting Options
- **UL Recognized**
  - Enclosure Materials:** Polystyrene or Polycarbonate
  - Gasket Material:** Polyurethane
  - Color:** Light Gray
  - Material**
    - Temperature Range:** Polystyrene  
-40°C to 70°C (-40°F to 158°F)  
Polycarbonate  
-40°C to 120°C (-40°F to 248°F)
- **Accessories:** See section below



## Smooth Sidewalls

### Polystyrene

### Polycarbonate

| Ordering Information        | Height mm (in)   | Cat. No. | Type          | Cover Color | Std. Pk. | Cat. No. | Type          | Cover Color | Std. Pk. |
|-----------------------------|------------------|----------|---------------|-------------|----------|----------|---------------|-------------|----------|
| ☐ Enclosure - low cover     | 90 mm (3.54 in)  | 110-408  | PS 2518-9-o   | gray        | 1        | 120-408  | PC 2518-9-o   | gray        | 1        |
| ☐ Enclosure - high cover    | 111 mm (4.37 in) | 110-908  | PS 2518-11-o  | gray        | 1        | 120-908  | PC 2518-11-o  | gray        | 1        |
| ☐ Enclosure - top hat cover | 165 mm (6.50 in) | 109-408  | PS 2518-16-o  | gray        | 1        | 121-408  | PC 2518-16-o  | gray        | 1        |
| ☐ Enclosure - low cover     | 90 mm (3.54 in)  | 111-008  | PS 2518-9-to  | trans.      | 1        | 130-008  | PC 2518-9-to  | trans.      | 1        |
| ☐ Enclosure - high cover    | 111 mm (4.37 in) | 111-508  | PS 2518-11-to | trans.      | 1        | 130-508  | PC 2518-11-to | trans.      | 1        |
| ☐ Enclosure - top hat cover | 165 mm (6.50 in) | 112-008  | PS 2518-16-to | trans.      | 1        | 131-008  | PC 2518-16-to | trans.      | 1        |

## Sidewalls with Metric Knockouts

### Polystyrene

### Polycarbonate

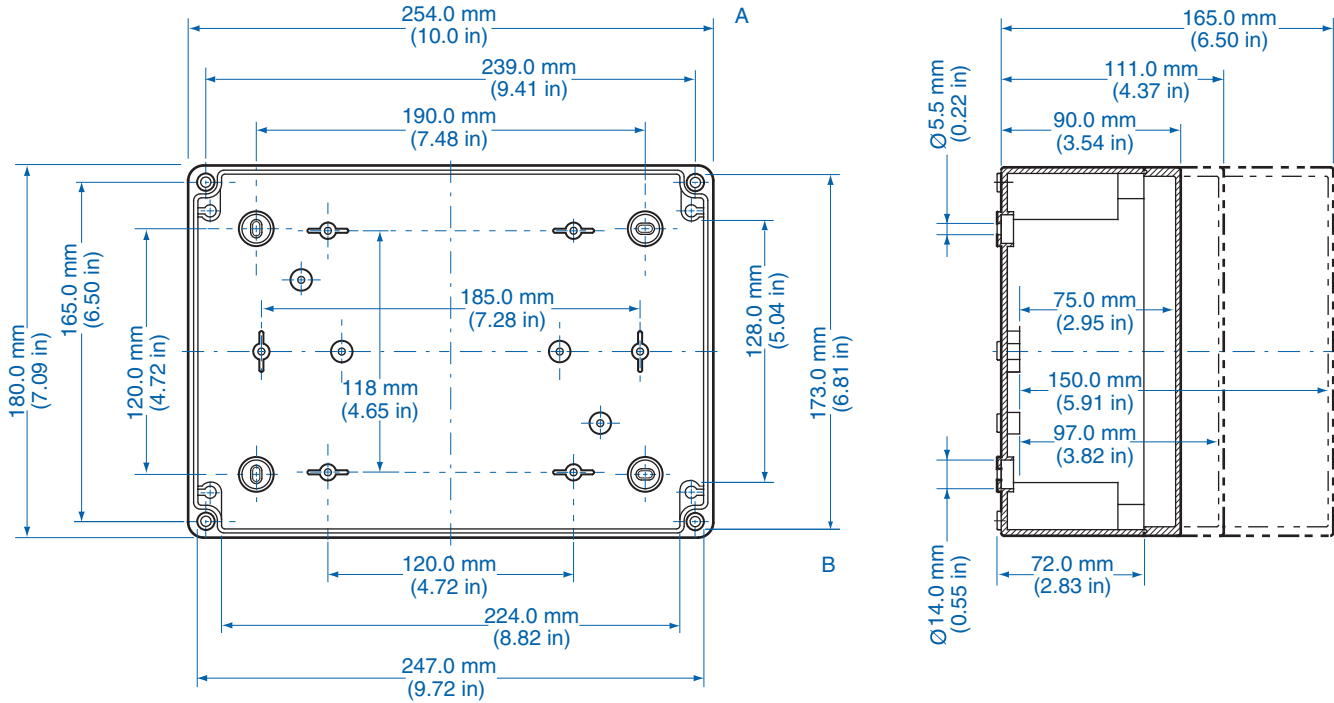
| Ordering Information        | Height mm (in)   | Cat. No. | Type          | Cover Color | Std. Pk. | Cat. No. | Type          | Cover Color | Std. Pk. |
|-----------------------------|------------------|----------|---------------|-------------|----------|----------|---------------|-------------|----------|
| ☐ Enclosure - low cover     | 90 mm (3.54 in)  | 105-408  | PS 2518-9-m   | gray        | 1        | 127-408  | PC 2518-9-m   | gray        | 1        |
| ☐ Enclosure - high cover    | 111 mm (4.37 in) | 105-908  | PS 2518-11-m  | gray        | 1        | 127-908  | PC 2518-11-m  | gray        | 1        |
| ☐ Enclosure - top hat cover | 165 mm (6.50 in) | 104-408  | PS 2518-16-m  | gray        | 1        | 128-408  | PC 2518-16-m  | gray        | 1        |
| ☐ Enclosure - low cover     | 90 mm (3.54 in)  | 106-008  | PS 2518-9-tm  | trans.      | 1        | 137-008  | PC 2518-9-tm  | trans.      | 1        |
| ☐ Enclosure - high cover    | 111 mm (4.37 in) | 106-508  | PS 2518-11-tm | trans.      | 1        | 137-508  | PC 2518-11-tm | trans.      | 1        |
| ☐ Enclosure - top hat cover | 165 mm (6.50 in) | 107-008  | PS 2518-16-tm | trans.      | 1        | 138-008  | PC 2518-16-tm | trans.      | 1        |

## Accessories

| Ordering Information     | Cat. No. | Type       | Std. Pk. |
|--------------------------|----------|------------|----------|
| Mounting Plate (plastic) | 195-008  | TKMPI-2518 | 1        |
| Mounting Plate (steel)   | 197-008  | TKMPS-2518 | 1        |
| DIN Rail TS35-216mm      | 198-216  | TS 35/216  | 1        |
| Hinge Kit Set            | 190-005  | HK2        | 1        |
| Mounting Tab Kit         | 194-001  | MT1        | 1        |

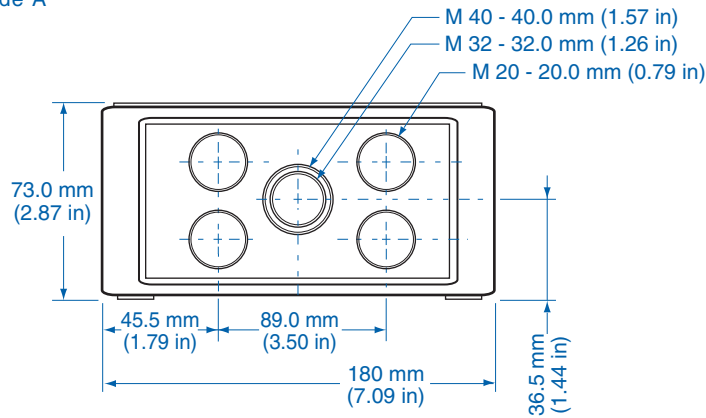
Please refer to pages 149-152 for additional accessories and detailed information.

Dimensions



Knockout Positions

Side A



Side B

