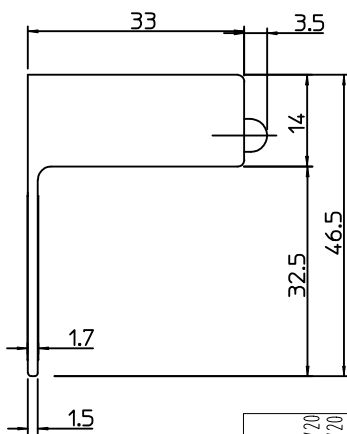
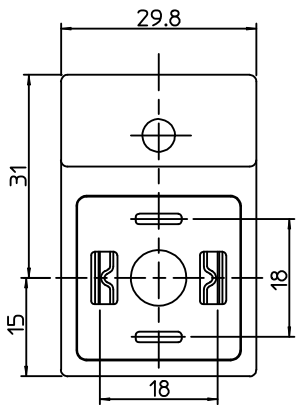
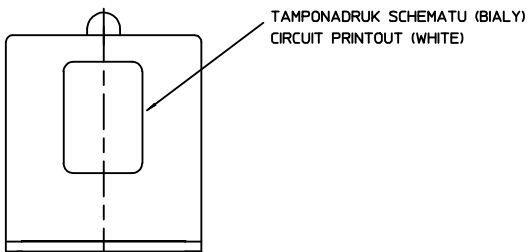


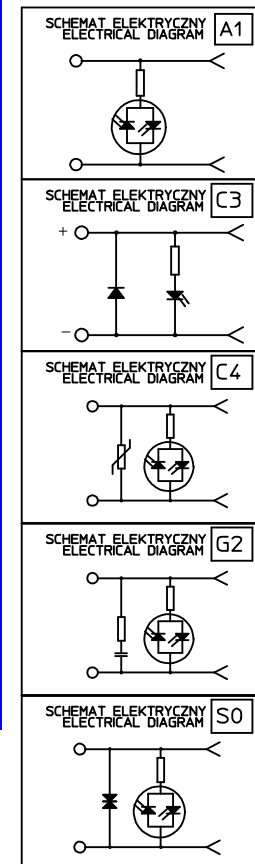
RODZAJ POLACZENIA/INTERNAL CIRCUIT
 PATRZ SCHEMATY POLACZEN/WIRING CONFIGURATION
 NAPIECIE ORAZ KOLOR DIODY/VOLTAGE AND LED COLOUR:

1= 12V	A= 12V	G= 12V	ZOLTA DIODA YELLOW LED
2= 24V	B= 24V	H= 24V	
3= 48V	C= 48V	K= 48V	
4= 115V	D= 115V	L= 115V	
5= 230V	E= 230V	M= 230V	

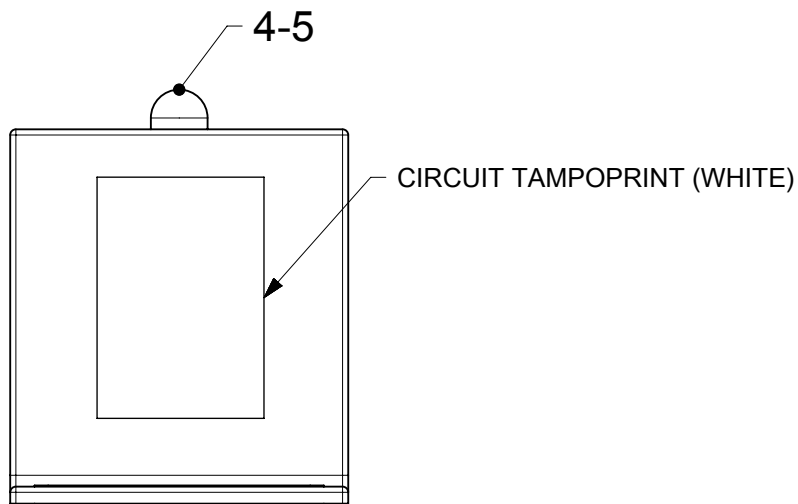
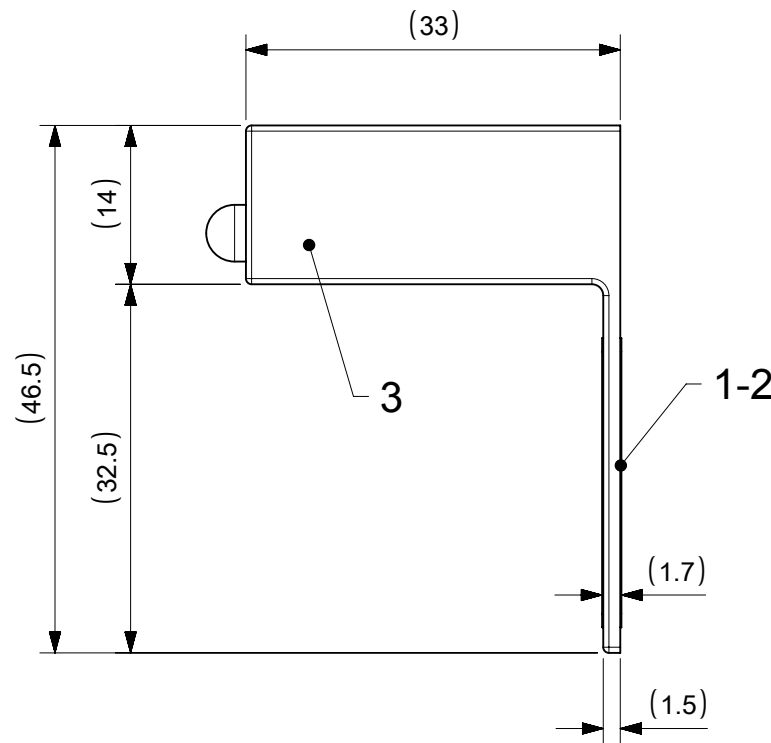
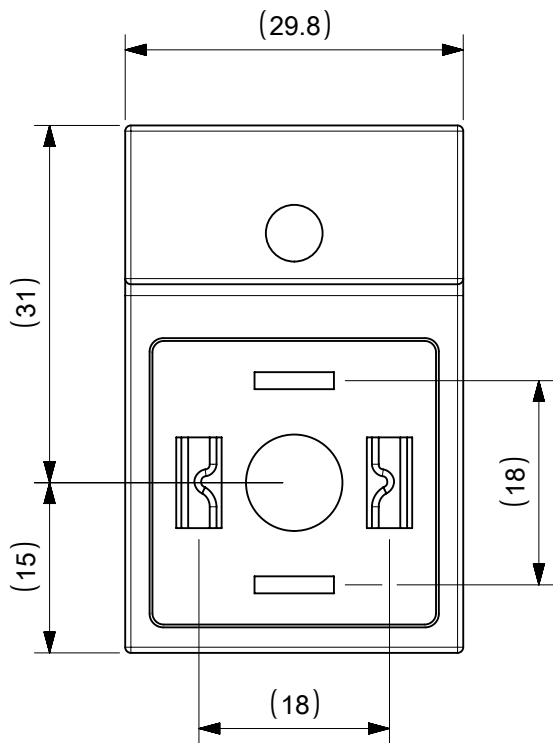


MOLEX PN	MPM PN	MOLEX PN	MPM PN
1210010189	A06A11	1210010216	A06C4D
1210010190	A06A12	1210010217	A06C4E
1210010192	A06A14	1210010219	A06C4H
1210010193	A06A15	1210010220	A06C4L
1210010194	A06A1B	1210010221	A06C4M
1210010197	A06A1H	1210010222	A06G21
1210010199	A06A1L	1210010223	A06G22
1210010200	A06A1M	1210010225	A06G24
1210010202	A06C32	1210010226	A06G25
1210010205	A06C35	1210010228	A06G2B
1210010206	A06C3B	1210010229	A06G2D
1210010207	A06C3H	1210010230	A06G2E
1210010209	A06C41	1210010231	A06G2H
1210010210	A06C42	1210010232	A06G2K
1210010211	A06C43	1210010233	A06G2L
1210010212	A06C44	1210010234	A06G2M
1210010213	A06C45	1210010236	A06S02
1210010420	A06C4A	1210010240	A06S0H
1210010214	A06C4B	1210010198	A06A1K
1210010215	A06C4C	1210010241	A06S0L

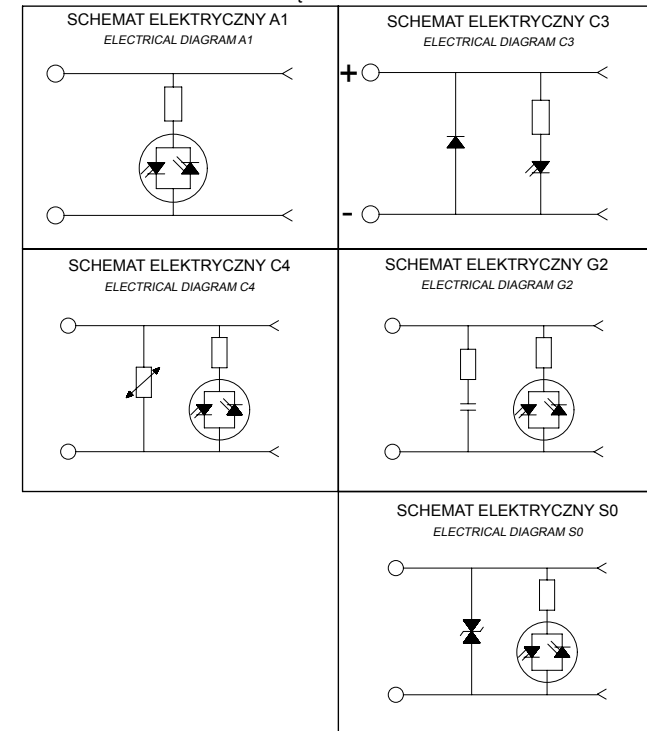
SCHEMATY POLACZEN
 /WIRING CONFIGURATION



ORIGINAL RELEASE EC NO: WEUS2009-0479 DRWIN: MWOLSZCZAK 2009/05/20 CHYKD: MDABROWSKA 2009/05/20 APPR: GOGRODNIK 2009/05/20	QUALITY SYMBOLS	GENERAL TOLERANCES (UNLESS SPECIFIED)	DIMENSION STYLE	SCALE	DESIGN UNITS	FIRST ANGLE PROJECTION	
	▼=0 ▽=0	mm INCH	MM ONLY	---	METRIC		
	DESCRIPTION	4 PLACES ± --- ± ---	DRAWN BY DATE	TITLE	MPM A06 ADAPTORS		
	REV	3 PLACES ± --- ± ---	MLEVYTSKYY 2009/05/05	CHECKED BY DATE	MOLEX INCORPORATED		
	2 PLACES ± --- ± ---	MDABROWSKA 2009/05/05	APPROVED BY DATE	DOCUMENT NO. A06XXX SHEET NO. 1 OF 1			
	1 PLACE ± --- ± ---	MWOLSZCZAK 2009/05/05	MATERIAL NO.	THIS DRAWING CONTAINS INFORMATION THAT IS PROPRIETARY TO MOLEX INCORPORATED AND SHOULD NOT BE USED WITHOUT WRITTEN PERMISSION			
	ANGULAR ± --- °		SIZE	SEE DRAWING			
				DRAFT WHERE APPLICABLE MUST REMAIN WITHIN DIMENSIONS			



SCHEMATY POŁĄCZEŃ/ WIRING CONFIGURATION



SYMBOLS	THIS DRAWING CONTAINS INFORMATION THAT IS PROPRIETARY TO MOLEX ELECTRONIC TECHNOLOGIES, LLC AND SHOULD NOT BE USED WITHOUT WRITTEN PERMISSION		
	DIMENSION UNITS	SCALE	CURRENT REV DESC:
$\nabla = 0$	mm	1:1	EC NO: 607661 DRWN: MCELEJEWSKI 2018/11/14 CHK'D: DSTACHOWIAK 2018/11/15 APPR: DSTACHOWIAK 2018/11/15
$\nabla = 0$	GENERAL TOLERANCES (UNLESS SPECIFIED)		
$\nabla = 0$	ANGULAR TOL	± °	INITIAL REVISION: DRWN: JMARSZALEK 2013/02/11 APPR: MIWASIECZKO 2013/02/12
$\nabla = 0$	4 PLACES	±	
$\nabla = 0$	3 PLACES	±	DOCUMENT NUMBER: SD-121001-006 DOC TYPE: PSD DOC PART: 001 REVISION: A1
$\nabla = 0$	2 PLACES	±	
$\nabla = 0$	1 PLACE	±	MATERIAL NUMBER: SEE SHEET 2 CUSTOMER: GENERAL MARKET SHEET NUMBER: 1 OF 2
$\nabla = 0$	0 PLACES	±	
$\nabla = 0$	DRAFT WHERE APPLICABLE MUST REMAIN WITHIN DIMENSIONS	THIRD ANGLE PROJECTION	DRAWING: A4-SIZE
$\nabla = 0$			SERIES: 121001

DOCUMENT STATUS	P1	RELEASE DATE	2018/11/15	10:10:34
-----------------	----	--------------	------------	----------