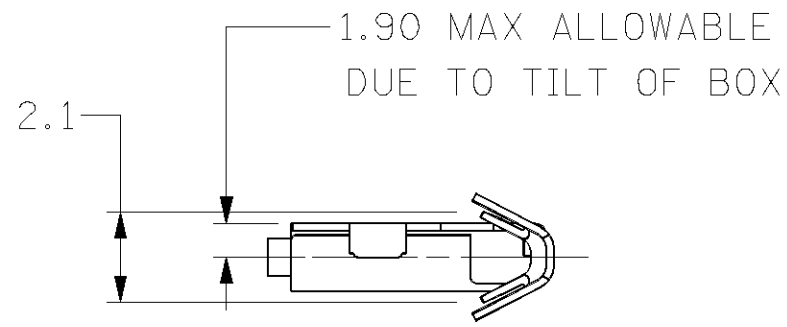




THIS DRAWING AND DESIGN HEREON CONSTITUTES A PROPRIETARY DESIGN OF PACKARD ELECTRIC DIVISION AND IS NOT TO BE DUPLICATED OR REPRODUCED WITHOUT AUTHORITY OF PACKARD ELECTRIC DIVISION.

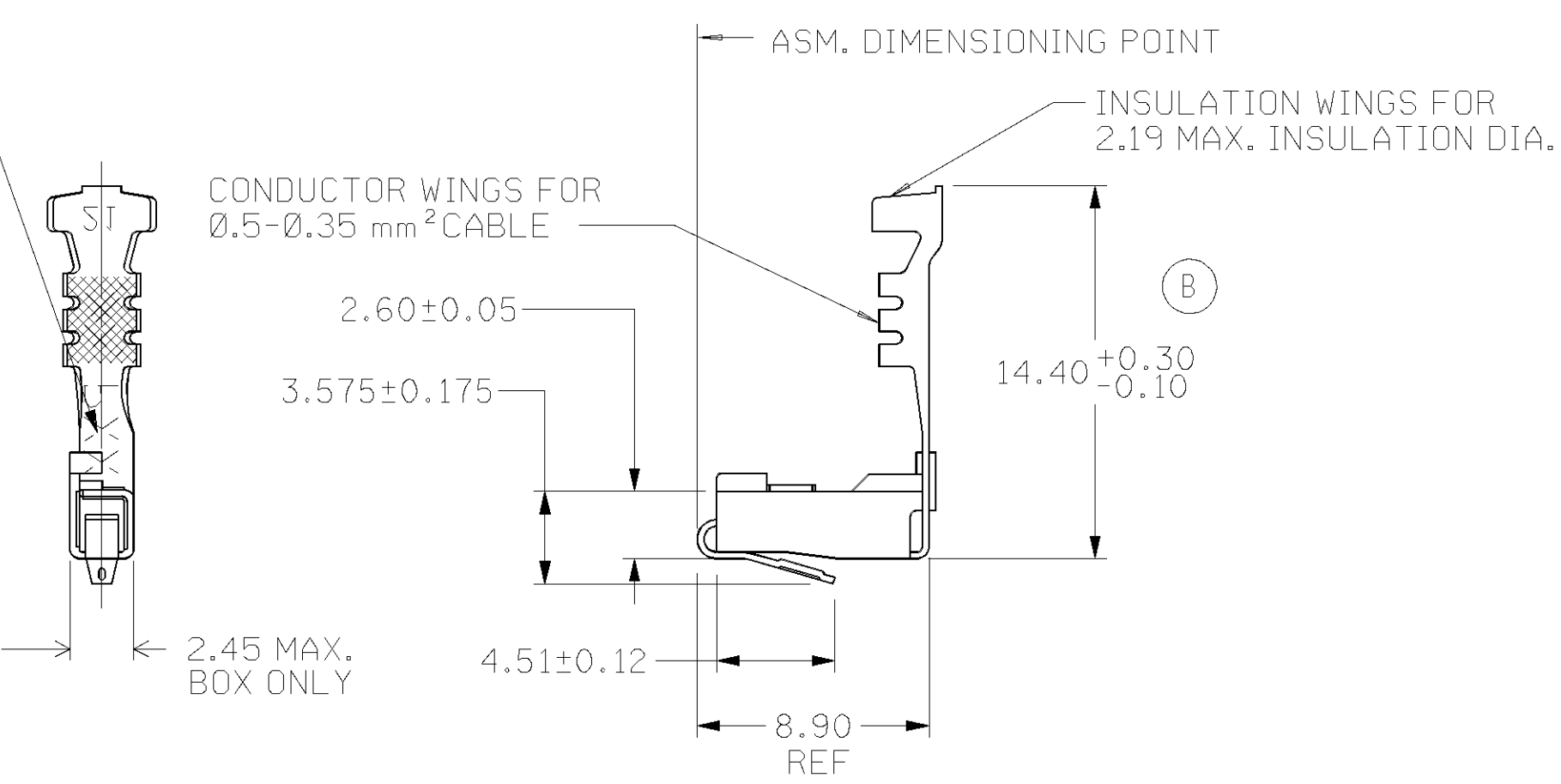
DO NOT SCALE



PART NO.
1210 3359

"PXX" INDICATES "P" PLUS LAST TWO DIGITS OF MAKE SERIES NUMBER (P01,P02,P03,ETC)

PACKARD ELECTRIC DIVISION
GENERAL MOTORS CORPORATION
WARREN, OHIO



-0-
1100
1801
3245

- NOTES — 1. RECOMMENDED MATING BLADE - WIDTH 1.52 ± 0.12
THICKNESS 0.825 ± 0.035
LENGTH 7.00
2. TERMINAL TO BE USED WITH CONNECTOR 12065280 AND SECONDARY LOCK 12065281.
3. DIMENSIONS MARKED "REF" ARE FOR REFERENCE ONLY AND NO TOLERANCE LIMITS ARE ESTABLISHED.

DATE	SYM	REVISION RECORD	AUTHORITY	DR	CK
06MR90	A	RELEASED	900005	ATL	ATL
23AU91	—	ADDED 1.90 MAX ALLOWABLE DUE TO TILT OF BOX	144240	JK	
29AU96	B	ADDED TOLERANCE TO 14.40 DIM	173887	HH	HH

PED/NIRGRAPH EMS		FILE SPEC: ****USER**** DGN#SPECIFICATION***** ****SYTIME*****
THIRD ANGLE PROJECTION 		METRIC DIMENSIONS ARE IN MILLIMETERS UNLESS OTHERWISE SPECIFIED.
CODE NO. 6900	TOLERANCE UNLESS OTHERWISE SPECIFIED DECIMAL: ANGULAR ± ? ONE PLACE ± 0.2 TWO PLACE ± 0.10	
Q.C.	SCALE NONE	DR. ANDY T. LE 06MR90
DWG. DATE 06MR90	EST. NO.	CK. ANDY T. LE DATE 06MR90
REFERENCE NO. 12065282 "E" SIZE	APPR. L. HAZLETT	DATE 09MR90
MATERIAL SPEC. 0.254 THK. X 35.71 SILICON BRONZE - TIN PLATED		
NAME TERMINAL - METRI-PACK 150 SERIES FEMALE - RIGHT ANGLE		
PART NO.	1210 3359	SIZE B
OUTLINE DRAWING		