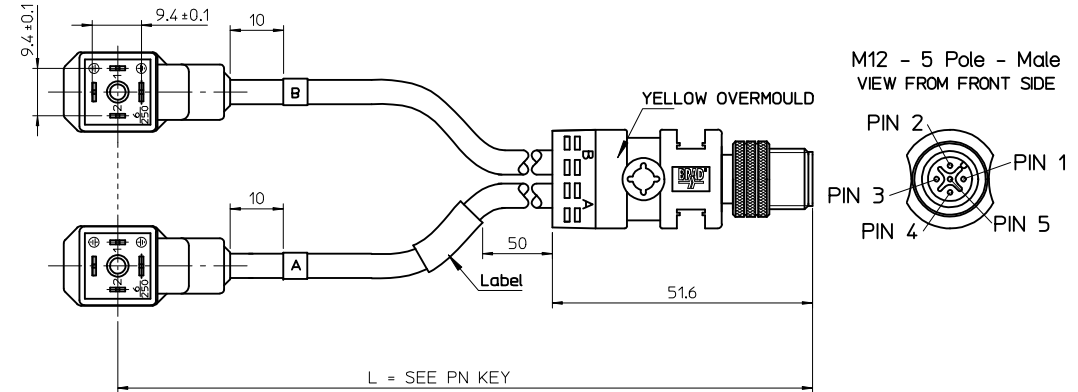
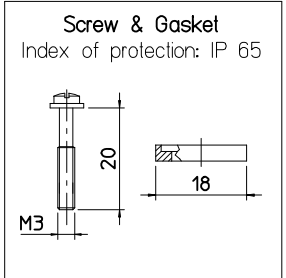
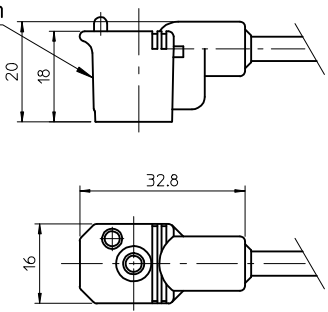


Table of length tolerances

Over	Up to and including	Tolerance (+)
0	305	+19
305	915	+45
915	1830	+56
1830	3660	+89
3660	7320	+165
7320	14640	+317
14640	30500	+610
30500	>	+2% of length



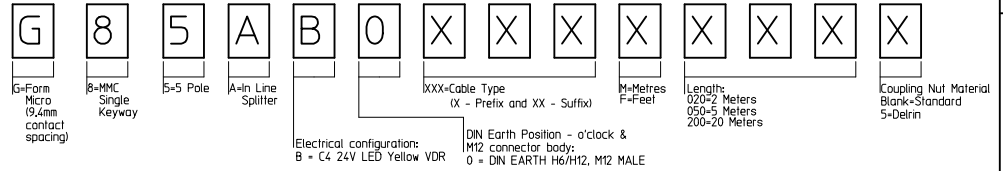
Electrical diagram printed in white



PN's List

Engineering number	SAP Part Number	Cable Length [mm]	Cable type
G85AB0I12M050	1210360373	5000	CEI PVC Grey 0.5mm ²
G85AB0E12M010	1210360537	1000	PVC Black 0.5mm ²
G85AB0P12M010	1210360926	1000	PUR Black 0.5mm ²

PART No MATRIX - PN KEY



Notes:
1. Dimensions without tolerance are referential.

ORIGINAL RELEASE EC NO: IPG2014-1345 DRWN: JMARSZALEK 2014/01/29 CHKD: MSZWAJKOWSKI 2014/01/29 APPR: MIWASIECZKO 2014/01/30	QUALITY SYMBOLS	GENERAL TOLERANCES (UNLESS SPECIFIED)	DIMENSION STYLE	SCALE	DESIGN UNITS	THIRD ANGLE PROJECTION	
	▽=0 ◻=0	mm INCH	MM ONLY	-	METRIC		
		4 PLACES ± --- ± ---	DRAWN BY DATE	TITLE			
		3 PLACES ± --- ± ---	CHECKED BY DATE	G85AB0XXXXXXX			
		2 PLACES ± --- ± ---	APPROVED BY DATE	ILS-2DIN-MICRO-H6/12-C4H			
	1 PLACE ± --- ± ---		M12 5P AC MA				
	0 PLACE ± --- ± ---		molex				
	ANGULAR ± --- °	MATERIAL NO.	DOCUMENT NO.		SHEET NO.		
	DRAFT WHERE APPLICABLE MUST REMAIN WITHIN DIMENSIONS	SEE PN KEY	SD-121036-014		1 OF 1		
		SIZE A3	THIS DRAWING CONTAINS INFORMATION THAT IS PROPRIETARY TO MOLEX INCORPORATED AND SHOULD NOT BE USED WITHOUT WRITTEN PERMISSION				