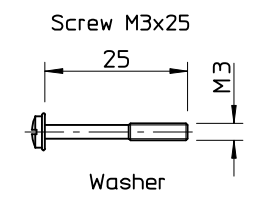
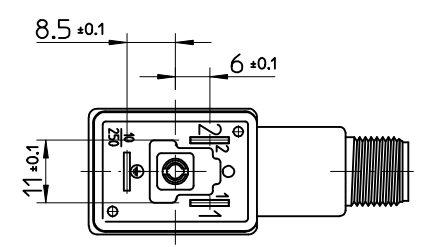
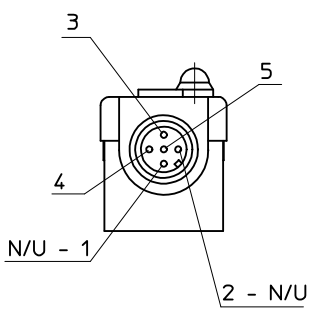
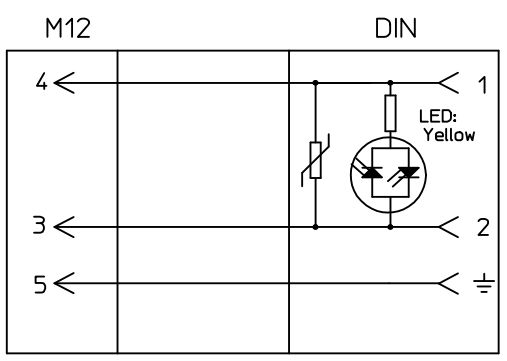
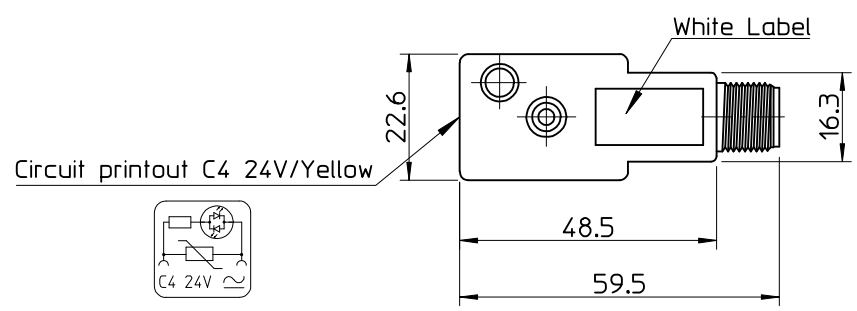
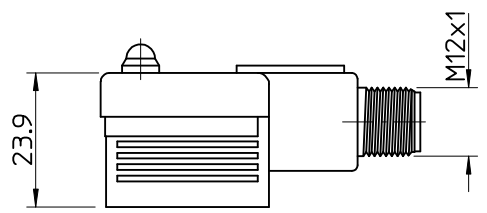
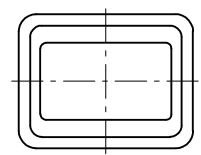


7 6 5 4 3 2 1

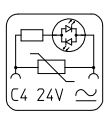
ELECTRICAL DIAGRAM
Voltage: 24V



NBR Black Gasket - G13



Circuit printout C4 24V/Yellow



Engineering No.: F850B1

- Notes:
1. Single packing in plastic bag
 2. Dimensions without tolerance are referential.

ORIGINAL RELEASE EC NO: IPG2015-0218 DRWN: JMARSZALEK 2013/10/23 CHKD: WSTRASZKIEWI 2014/09/01 APPR: MIWASIECZKO 2014/09/08	DESCRIPTION REV	QUALITY SYMBOLS	GENERAL TOLERANCES (UNLESS SPECIFIED)		DIMENSION STYLE MM ONLY		SCALE -	DESIGN UNITS METRIC	THIRD ANGLE PROJECTION		
		▼=0 ▽=0	mm INCH	DRAWN BY JMARSZALEK	DATE 2013/10/23	TITLE DIN-IND H12 / M12-ST ADAPTOR F850B1					
		4 PLACES ± --- ± --- 3 PLACES ± --- ± --- 2 PLACES ± --- ± --- 1 PLACE ± --- ± --- 0 PLACE ± --- ± ---	ANGULAR ± --- °	CHECKED BY WSTRASZKIEWI	DATE 2014/09/01						
		DRAFT WHERE APPLICABLE MUST REMAIN WITHIN DIMENSIONS	MATERIAL NO. 1210370059	APPROVED BY MIWASIECZKO	DATE 2014/09/08	DOCUMENT NO. SD-121037-009	SHEET NO. 1 OF 1				
		SIZE A4	THIS DRAWING CONTAINS INFORMATION THAT IS PROPRIETARY TO MOLEX INCORPORATED AND SHOULD NOT BE USED WITHOUT WRITTEN PERMISSION								

6 5 4 3 2 1