

# S02 SERIES MATRIX

**S 0 2 2 0 9 T A 1 1 1 \* \***

SERIES:  
S02- INTERNAL THREAD  
FORM B

POLES:  
2-2 POLE

THREAD:  
07-PG7  
09-PG9  
11-PG11  
M2-M12X1.5  
M6-M16X1.5

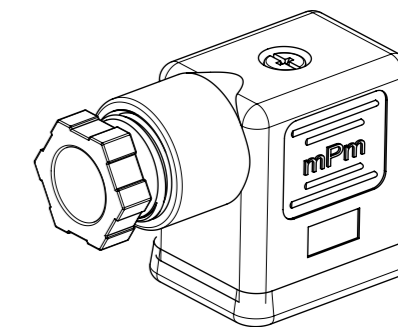
MATERIAL AND  
HOUSING COLOUR:  
G-PA6 GRAY  
N-PA6 BLACK  
W-PA6 BLACK V0  
T-PA12 TRANSPARENT  
B-PA6 WHITE

CIRCUIT:  
SEE DETAILS  
IN CATALOGUE

VOLTAGE:  
SEE DETAILS  
IN CATALOGUE

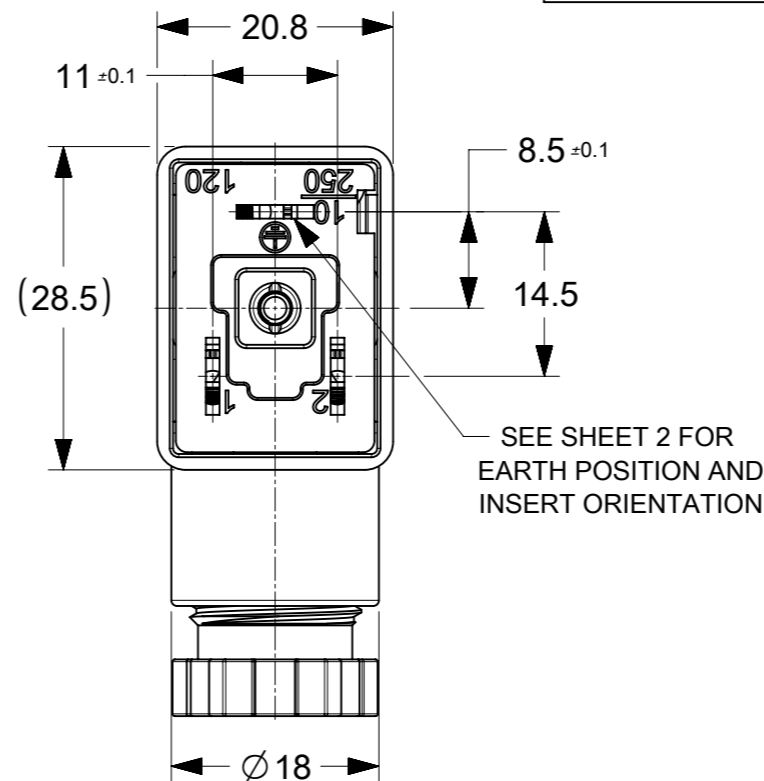
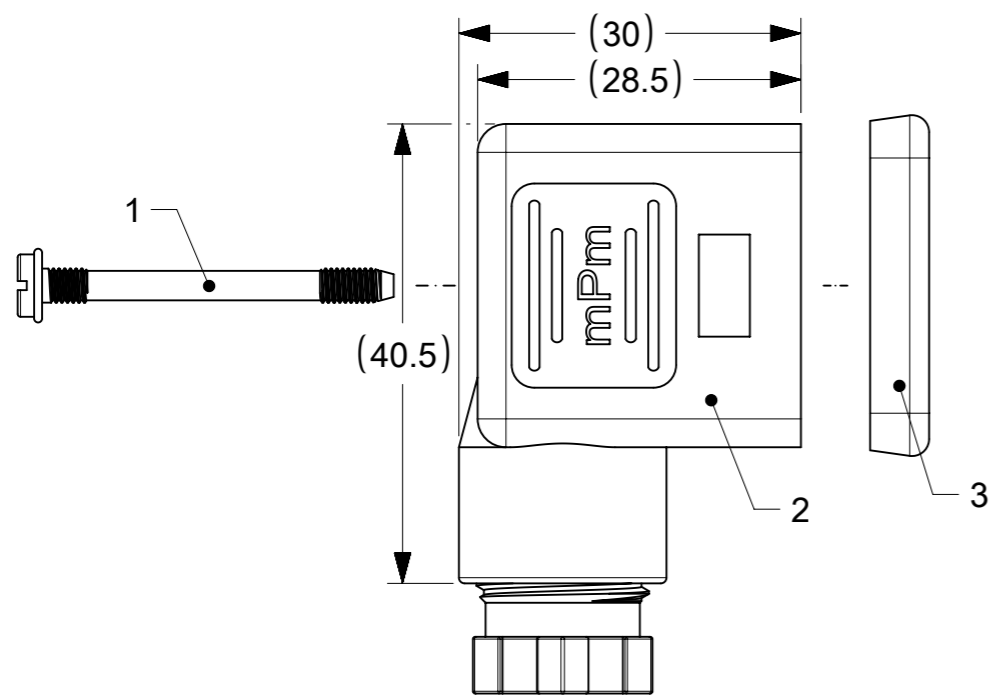
SCREW AND GASKET:  
1- NBR PROFILE GASKET & SCREW  
2- NBR FLAT GASKET & SCREW  
3-WHITE SILICON PROFILE GASKET & SCREW  
4-WHITE SILICON FLAT GASKET & SCREW  
A-NBR PROFILE GASKET & SCREW +2MM  
B-NBR FLAT GASKET & SCREW +2MM

NON STANDARD COMPONENTS:  
04-EARTH POSITION AT H6  
14-PACKED IN NEUTRAL BAG  
A-SCREW 2MM LONGER THAN STANDARD  
5A-SINGLE BAGGED WITH 500 IN A BOX  
5J-100 IN A BOX  
5N-PACKED IN BOXES OF 200  
SA-UL LISTED



SCALE 1:1

SEE TABLE 1 FOR GASKET AND SCREW TYPES



SEE SHEET 2 FOR  
EARTH POSITION AND  
INSERT ORIENTATION

GASKET HIDDEN FOR CLARITY

| ITEM | DESCRIPTION/OPIS      |
|------|-----------------------|
| 1    | SCREW                 |
| 2    | COVER+INSERT ASSEMBLY |
| 3    | GASKET                |

TABLE 1

| PROFIED GASKET | FLAT GASKET | SCREW M3x31 |
|----------------|-------------|-------------|
|                |             |             |

TECHNICAL SPECIFICATION:

OPERATING CURRENT: 16A  
CONTACT RESISTANCE: <15 mOhms MAX.

OPERATING TEMPERATURE:  
NBR GASKET: -40° TO +90°C  
SILICONE GASKET: -40° TO 125°C

|   |   |  |  |  |
|---|---|--|--|--|
| <b>SYMBOLS</b><br>DIMENSION UNITS: mm<br>SCALE: 3:2<br>GENERAL TOLERANCES (UNLESS SPECIFIED):<br>ANGULAR TOL ± 1.0°<br>4 PLACES ±<br>3 PLACES ±<br>2 PLACES ± 0.05<br>1 PLACE ± 0.3<br>0 PLACES ± 0.5<br>DRAFT WHERE APPLICABLE MUST REMAIN WITHIN DIMENSIONS<br>THIRD ANGLE PROJECTION | THIS DRAWING CONTAINS INFORMATION THAT IS PROPRIETARY TO MOLEX ELECTRONIC TECHNOLOGIES, LLC AND SHOULD NOT BE USED WITHOUT WRITTEN PERMISSION<br>CURRENT REV DESC:<br>EC NO: 627209<br>DRWN: MDHARMANTI 2019/11/05<br>CHK'D: RSILLER 2019/11/11<br>APPR: RSILLER 2019/11/11<br>INITIAL REVISION:<br>DRWN: MDHARMANTI 2018/11/29<br>APPR: RSILLER 2019/02/14 |  |  |  |
|   | S022 PG9 T WPCB A1 12V RED LED H12<br>PRODUCT CUSTOMER DRAWING<br>DOCUMENT NUMBER: 1210641752<br>DOC TYPE: PSD<br>DOC PART: 000<br>REVISION: A1<br>MATERIAL NUMBER: SEE PART LIST<br>CUSTOMER: GENERAL MARKET<br>SHEET NUMBER: 1 OF 2   |  |  |  |

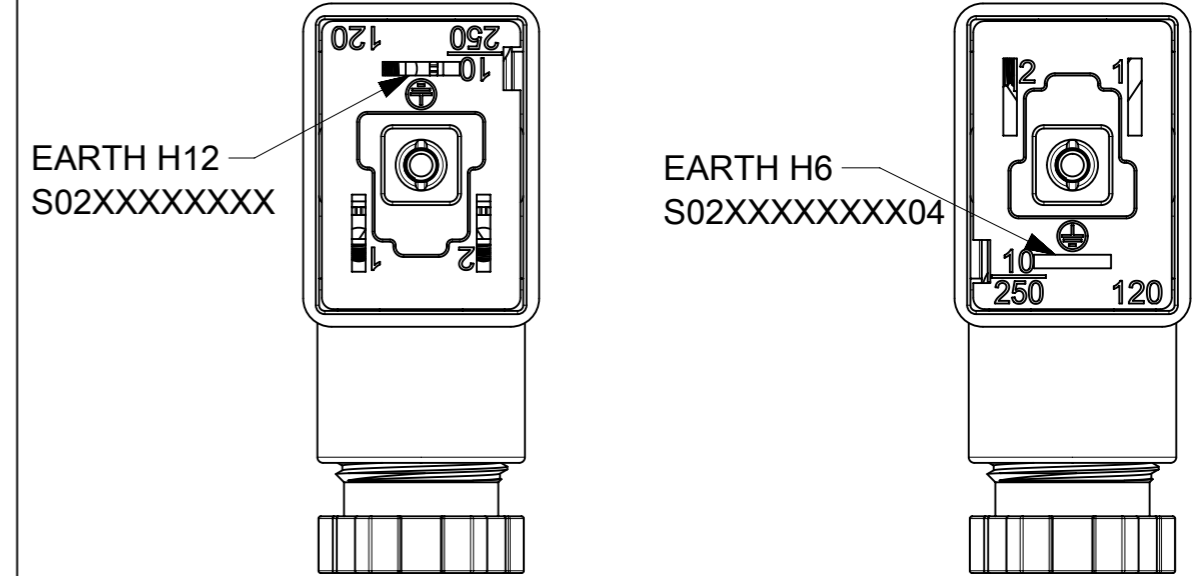
# PART LIST AND BOM

| ENGINEERING NO. | MOLEX P/N  | EARTH |
|-----------------|------------|-------|
| S02207TC421     | 1210640007 | H12   |
| S02209ND021     | 1210640035 | H12   |
| S02209ND041     | 1210640037 | H12   |
| S02209ND051     | 1210640038 | H12   |
| S02209NE051     | 1210640039 | H12   |
| S02209TA021     | 1210640045 | H12   |
| S02209TA121     | 1210640058 | H12   |
| S02209TA122     | 1210640060 | H12   |
| S02209TA141     | 1210640064 | H12   |
| S02209TA151     | 1210640068 | H12   |
| S02209TA152     | 1210640069 | H12   |
| S02209TA1H1     | 1210640077 | H12   |
| S02209TC321     | 1210640087 | H12   |
| S02209TC3B1     | 1210640093 | H12   |
| S02209TC3H1     | 1210640094 | H12   |
| S02209TC421     | 1210640097 | H12   |
| S02209TC422     | 1210640099 | H12   |
| S02209TC431     | 1210640102 | H12   |
| S02209TC441     | 1210640104 | H12   |
| S02209TC442     | 1210640106 | H12   |
| S02209TC451     | 1210640108 | H12   |
| S02209TC452     | 1210640110 | H12   |
| S02209TC4B1     | 1210640113 | H12   |
| S02209TC4D2     | 1210640117 | H12   |
| S02209TC4E2     | 1210640119 | H12   |
| S02209TC4H1     | 1210640120 | H12   |
| S02209TC4L1     | 1210640122 | H12   |
| S02209TC4M1     | 1210640124 | H12   |
| S02209WE051     | 1210640129 | H12   |
| S02209TC4G1     | 1210641343 | H12   |

| ENGINEERING NO. | MOLEX P/N   | EARTH |
|-----------------|-------------|-------|
| S022M6NE052     | 1210641364  | H12   |
| S022M6TC4H1     | 1210641375  | H12   |
| S02209TC421SA   | 1210641395  | H12   |
| S022M6TC421     | 1210641406  | H12   |
| S02209TC332     | 1210641409  | H12   |
| S02209WE051SA   | 1210641585  | H12   |
| S02207TC321     | 1210641593  | H12   |
| S022M0TC4B1     | 1210641649  | H12   |
| S02209TC421B    | 1210641655* | H12   |
| S02209TC322     | 1210641742  | H12   |
| S02209TA111     | 1210641752  | H12   |
| S02209TA1H2     | 1210641818  | H12   |
| S02209TA12204   | 1210650061  | H6    |
| S02209TC3228602 | 1210650077* | H12   |
| S02209TC4228602 | 1210650084* | H12   |
| S02209TC4428602 | 1210650088* | H12   |
| S02209NE0522465 | 1210650554* | H12   |
| S02207TC422SA   | 1210641353  | H12   |
| S022M2TA121     | 1210641584  | H12   |
| S02207TC441SA   | 1210641631  | H12   |

## INSERT ORIENTATION

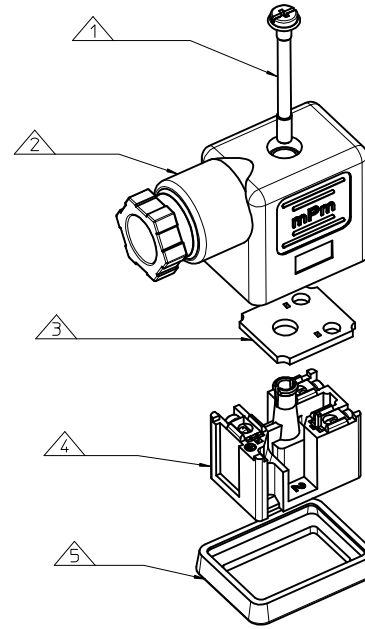
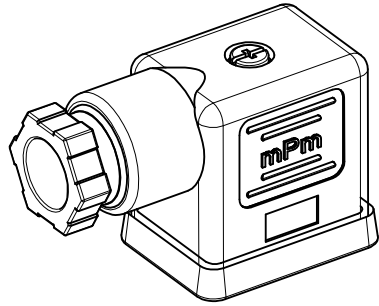
HOUSING 2 POLES +1 EARTH



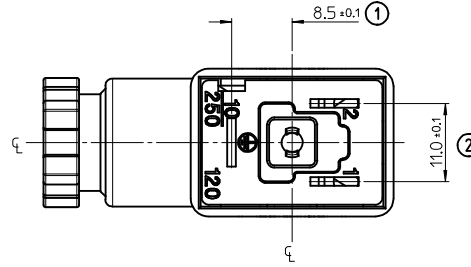
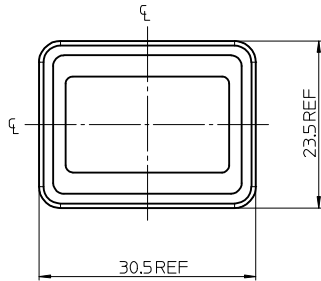
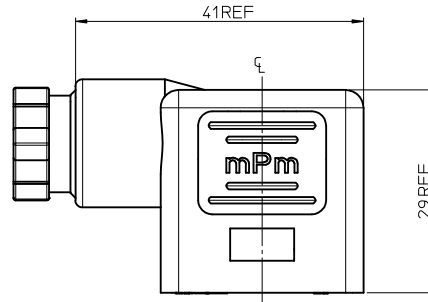
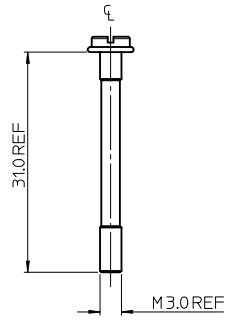
**NOTE:**

\* P/Ns 1210650554, 1210650088, 1210650084, 1210650077 & 1210641655 are special customer P/N's.

| SYMBOLS | THIS DRAWING CONTAINS INFORMATION THAT IS PROPRIETARY TO MOLEX ELECTRONIC TECHNOLOGIES, LLC AND SHOULD NOT BE USED WITHOUT WRITTEN PERMISSION |        | CURRENT REV DESC:   |         | molex                                |                 |                 |              |
|---------|---|--------|---|---------|--------------------------------------|-----------------|-----------------|--------------|
| ▽ = 0   | DIMENSION UNITS   | SCALE  | EC NO: 627209<br>DRWN: MDHARMANTI 2019/11/05<br>CHK'D: RSILLER 2019/11/11<br>APPR: RSILLER 2019/11/11 |         | S022 PG9 T WPCB A1 12V RED LED H12   |                 |                 |              |
| ▽ = 0   | mm  | 3:2    |   |         |                                      |                 |                 |              |
| ▽ = 0   | GENERAL TOLERANCES (UNLESS SPECIFIED)   |        |   |         |                                      |                 |                 |              |
| ▽ = 0   | ANGULAR TOL   | ± 1.0° | INITIAL REVISION:<br>DRWN: MDHARMANTI 2018/11/29<br>APPR: RSILLER 2019/02/14                          |         | PRODUCT CUSTOMER DRAWING             |                 |                 |              |
| ▽ = 0   | 4 PLACES  | ±      |   |         |                                      |                 |                 |              |
| ▽ = 0   | 3 PLACES  | ±      |   |         | DOCUMENT NUMBER<br><b>1210641752</b> |                 | DOC TYPE<br>PSD |              |
| ▽ = 0   | 2 PLACES  | ± 0.05 |   |         |                                      |                 |                 |              |
| ▽ = 0   | 1 PLACE   | ± 0.3  |   |         |                                      |                 |                 |              |
| ▽ = 0   | 0 PLACES  | ± 0.5  |   |         |                                      |                 |                 |              |
| ▽ = 0   | DRAFT WHERE APPLICABLE MUST REMAIN WITHIN DIMENSIONS  |        | THIRD ANGLE PROJECTION  | DRAWING | SERIES                               | MATERIAL NUMBER | CUSTOMER        | SHEET NUMBER |
| ▽ = 0   |   |        |   | A3-SIZE | 121064                               | SEE PART LIST   | GENERAL MARKET  | 2 OF 2       |



| ITEM | DESCRIPTION     |
|------|-----------------|
| 1    | SCREW           |
| 2    | COVER ASSEMBLY  |
| 3    | PCB             |
| 4    | INSERT ASSEMBLY |
| 5    | GASKET          |



S02209TA111\*\*

SERIES S02- INTERNAL THREAD FORM B  
 POLES 2= 2 POLE  
 THREAD 07= PG7, 09= PG9 11= PG11, M2= M12x1.5, M6= M16x1.5, M0= M20x1.5, 39= PG9 WITH STRAIN RELIEF  
 MATERIAL AND HOUSING COLOUR G= PA6 GRAY, N= PA6 BLACK, W= PA6 BLACK VO, T= PA12 TRANSPARENT, B= PA6 WHITE  
 CIRCUIT SEE DETAILS IN CATALOGUE  
 VOLTAGE SEE DETAILS IN CATALOGUE  
 SCREW AND GASKET 1= NBR PROFILE GASKET & SCREW, 2= NBR FLAT GASKET & SCREW, 3= WHITE SILICON PROFILE GASKET & SCREW, 4= WHITE SILICON FLAT GASKET & SCREW, A= NBR PROFILE GASKET AND SCREW +2mm, B= NBR FLAT GASKET AND SCREW +2mm

NON STANDARD COMPONENTS 04= EARTH POSITION AT H6, 14= PACKED IN NEUTRAL BAG, A= SCREW 2mm LONGER THAN STANDARD, 5A= SINGLE BAGGED WITH 500 IN A BOX, 5J= 100 IN A BOX, 5N= PACKED IN BOXES OF 200, SA= UL LISTED

NOTES

- PLEASE SEE SHEET 2 FOR CURRENTLY CONFIGURED PART NUMBERS. FOR SPECIFIC PART NUMBERS PLEASE CONTACT SALES OR CONSULT THE INTELLIGENT PART NUMBERS IN THE TABLE ATTACHED.
- EARTH POSITION SHOWN, H6.
- PRODUCT SPEC: SEE PS-121201-001, WITH EXCEPTION.
- FOR PACKAGING SEE PACKAGING SPEC PK-121065-S02.

LAST INSPECTION NUMBER 2

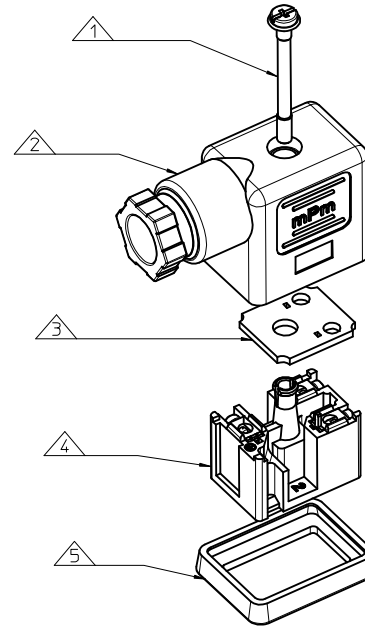
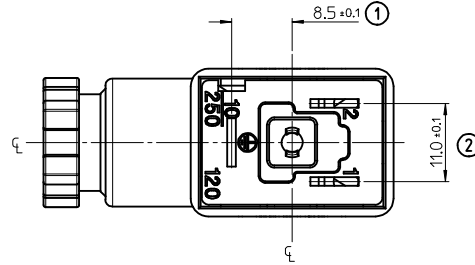
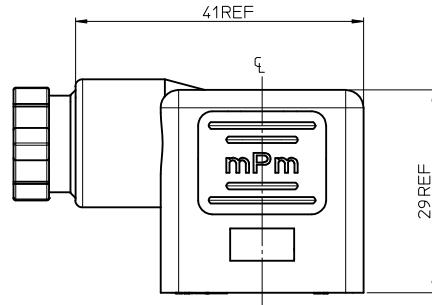
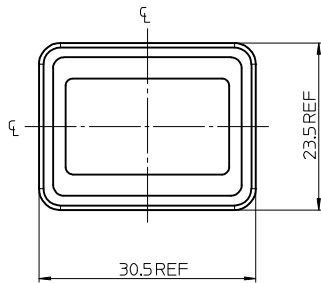
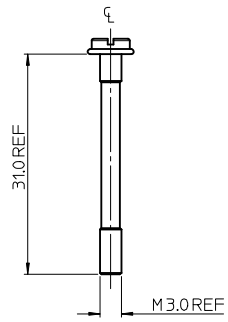
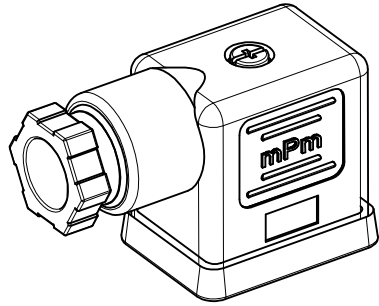
|   |                               |   |   |                                 |   |                                     |                        |                        |
|---|-------------------------------|---|---|---------------------------------|---|-------------------------------------|------------------------|------------------------|
| UPDATED NOTE 3<br>EC NO: IFC2015-1871<br>DRWN:BCAFFREY 2015/04/28<br>CHKD:<br>APPR:STGRUFFIN 2015/05/13 | QUALITY SYMBOLS<br>▽=0<br>▽=0 | GENERAL TOLERANCES (UNLESS SPECIFIED)   |   | DIMENSION STYLE<br>MM ONLY      |   | SCALE<br>1.5:1                      | DESIGN UNITS<br>METRIC | THIRD ANGLE PROJECTION |
|   |                               | 4 PLACES ± --- ± ---<br>3 PLACES ± --- ± ---<br>2 PLACES ± 0.1 ± ---<br>1 PLACE ± 0.2 ± ---<br>ANGULAR ± ---° | mm INCH<br>± --- ± ---<br>± --- ± ---<br>± --- ± ---<br>± --- ± --- | DRAWN BY<br>JOCONNOR            | DATE<br>2011/05/18  | TITLE<br>S02 SERIES INTERNAL THREAD |                        |                        |
|   |                               | DRAFT WHERE APPLICABLE MUST REMAIN WITHIN DIMENSIONS  |   | MATERIAL NO.<br>SEE SHEET 2 & 3 | APPROVED BY<br>EFOLAN   | DATE<br>2011/06/07                  | MOLEX INCORPORATED     |                        |
|   |                               |   |   | SIZE<br>A2                      | THIS DRAWING CONTAINS INFORMATION THAT IS PROPRIETARY TO MOLEX INCORPORATED AND SHOULD NOT BE USED WITHOUT WRITTEN PERMISSION |                                     |                        |                        |
|   |                               |   |   | DOCUMENT NO.<br>SD-121064-005   |   |                                     | SHEET NO.<br>1 OF 3    |                        |

| PART No.   | mPm PART No.  | DESCRIPTION   | CIRCUIT | VOLTAGE | INDICATOR    |
|------------|---------------|---|---------|---------|--------------|
| 1210641752 | S02209TA111   | TYPE B 2P PG9 TRANSPARENT NBR PROFILE GASKET                            | A1      | 12V     | RED LED/LAMP |
| 1210641404 | S02209TA11B   | TYPE B 2P PG9 TRANSPARENT NBR FLAT GASKET, & SCREW +2mm                 | A1      | 12V     | RED LED/LAMP |
| 1210640058 | S02209TA121   | TYPE B 2P PG9 TRANSPARENT NBR PROFILE GASKET                            | A1      | 24V     | RED LED/LAMP |
| 1210641584 | S022M2TA121   | TYPE B 2P M12x1.5 TRANSPARENT NBR PROFILE GASKET                        | A1      | 24V     | RED LED/LAMP |
| 1210640004 | S02207TA121   | TYPE B 2P PG7 TRANSPARENT NBR PROFILE GASKET                            | A1      | 24V     | RED LED/LAMP |
| 1210640087 | S02209TC321   | TYPE B 2P PG9 TRANSPARENT NBR PROFILE GASKET                            | C3      | 24V     | RED LED/LAMP |
| 1210640135 | S02239TC321   | TYPE B 2P PG9 W/STRAIN RELIEF TRANSPARENT NBR PROFILE GASKET            | C3      | 24V     | RED LED/LAMP |
| 1210641593 | S02207TC321   | TYPE B 2P PG7 TRANSPARENT NBR PROFILE GASKET                            | C3      | 24V     | RED LED/LAMP |
| 1210640095 | S02209TC411   | TYPE B 2P PG9 TRANSPARENT NBR PROFILE GASKET                            | C4      | 12V     | RED LED/LAMP |
| 1210640007 | S02207TC421   | TYPE B 2P PG7 TRANSPARENT NBR PROFILE GASKET                            | C4      | 24V     | RED LED/LAMP |
| 1210640097 | S02209TC421   | TYPE B 2P PG9 TRANSPARENT NBR PROFILE GASKET                            | C4      | 24V     | RED LED/LAMP |
| 1210650081 | S02209TC4215J | TYPE B 2P PG9 TRANSPARENT NBR PROFILE GASKET IN BOXES OF 100            | C4      | 24V     | RED LED/LAMP |
| 1210641406 | S022M6TC421   | TYPE B 2P M16x1.5 TRANSPARENT NBR PROFILE GASKET                        | C4      | 24V     | RED LED/LAMP |
| 1210641742 | S02209TC322   | TYPE B 2P PG9 TRANSPARENT NBR FLAT GASKET                               | C3      | 24V     | RED LED/LAMP |
| 1210640060 | S02209TA122   | TYPE B 2P PG9 TRANSPARENT NBR FLAT GASKET                               | A1      | 24V     | RED LED/LAMP |
| 1210650061 | S02209TA12204 | TYPE B 2P PG9 TRANSPARENT NBR FLAT GASKET, EARTH AT H6 POSITION         | A1      | 24V     | RED LED/LAMP |
| 1210640061 | S02209TA12B   | TYPE B 2P PG9 TRANSPARENT NBR FLAT GASKET, & SCREW +2mm                 | A1      | 24V     | RED LED/LAMP |
| 1210640062 | S02209TA131   | TYPE B 2P PG9 TRANSPARENT NBR PROFILE GASKET                            | A1      | 48V     | RED LED/LAMP |
| 1210641580 | S022M0TC421   | TYPE B 2P M20x1.5 TRANSPARENT NBR PROFILE GASKET                        | C4      | 24V     | RED LED/LAMP |
| 1210640101 | S02209TC42B   | TYPE B 2P PG9 TRANSPARENT NBR FLAT GASKET, & SCREW +2mm                 | C4      | 24V     | RED LED/LAMP |
| 1210650080 | S02209TC4215A | TYPE B 2P PG9 TRANSPARENT NBR PROFILE GASKET SINGLE BAGGED 500 IN A BOX | C4      | 24V     | RED LED/LAMP |
| 1210641668 | S02209TC42114 | TYPE B 2P PG9 TRANSPARENT NBR PROFILE GASKET IN NEUTRAL BAG             | C4      | 24V     | RED LED/LAMP |
| 1210640064 | S02209TA141   | TYPE B 2P PG9 TRANSPARENT NBR PROFILE GASKET                            | A1      | 115V    | RED LED/LAMP |
| 1210640005 | S02207TA141   | TYPE B 2P PG7 TRANSPARENT NBR PROFILE GASKET                            | A1      | 115V    | RED LED/LAMP |
| 1210640066 | S02209TA142   | TYPE B 2P PG9 TRANSPARENT NBR FLAT GASKET                               | A1      | 115V    | RED LED/LAMP |
| 1210640067 | S02209TA14B   | TYPE B 2P PG9 TRANSPARENT NBR FLAT GASKET, & SCREW +2mm                 | A1      | 115V    | RED LED/LAMP |
| 1210640068 | S02209TA151   | TYPE B 2P PG9 TRANSPARENT NBR PROFILE GASKET                            | A1      | 230V    | RED LED/LAMP |
| 1210641409 | S02209TC332   | TYPE B 2P PG9 TRANSPARENT NBR FLAT GASKET                               | C3      | 48V     | RED LED/LAMP |
| 1210640035 | S02209ND021   | TYPE B 2P PG9 BLACK NBR PROFILE GASKET                                  | D0      | 24V     | DIODE        |
| 1210640069 | S02209TA152   | TYPE B 2P PG9 TRANSPARENT NBR FLAT GASKET                               | A1      | 230V    | RED LED/LAMP |
| 1210640070 | S02209TA15B   | TYPE B 2P PG9 TRANSPARENT NBR FLAT GASKET, & SCREW +2mm                 | A1      | 230V    | RED LED/LAMP |
| 1210640102 | S02209TC431   | TYPE B 2P PG9 TRANSPARENT NBR PROFILE GASKET                            | C4      | 48V     | RED LED/LAMP |
| 1210641675 | S02209TC4315A | TYPE B 2P PG9 TRANSPARENT NBR PROFILE GASKET SINGLE BAGGED 500 IN A BOX | C4      | 48V     | RED LED/LAMP |
| 1210640028 | S02209BC432   | TYPE B 2P PG9 WHITE NBR FLAT GASKET                                     | C4      | 48V     | RED LED/LAMP |
| 1210640037 | S02209ND041   | TYPE B 2P PG9 BLACK NBR PROFILE GASKET                                  | D0      | 115V    | DIODE        |
| 1210640071 | S02209TA1B1   | TYPE B 2P PG9 TRANSPARENT NBR PROFILE GASKET                            | A1      | 24V     | GREEN LED    |
| 1210640038 | S02209ND051   | TYPE B 2P PG9 BLACK NBR PROFILE GASKET                                  | D0      | 230V    | DIODE        |
| 1210640104 | S02209TC441   | TYPE B 2P PG9 TRANSPARENT NBR PROFILE GASKET                            | C4      | 115V    | RED LED/LAMP |
| 1210640072 | S02209TA1B2   | TYPE B 2P PG9 TRANSPARENT NBR FLAT GASKET                               | A1      | 24V     | GREEN LED    |
| 1210640106 | S02209TC442   | TYPE B 2P PG9 TRANSPARENT NBR FLAT GASKET                               | C4      | 115V    | RED LED/LAMP |
| 1210641674 | S02209TC4415A | TYPE B 2P PG9 TRANSPARENT NBR PROFILE GASKET SINGLE BAGGED 500 IN A BOX | C4      | 115V    | RED LED/LAMP |
| 1210641613 | S022M2TS021   | TYPE B 2P M12x1.5 TRANSPARENT NBR PROFILE GASKET                        | S0      | 24V     | RED LED/LAMP |
| 1210640009 | S02207TC441   | TYPE B 2P PG7 TRANSPARENT NBR PROFILE GASKET                            | C4      | 115V    | RED LED/LAMP |
| 1210640108 | S02209TC451   | TYPE B 2P PG9 TRANSPARENT NBR PROFILE GASKET                            | C4      | 230V    | RED LED/LAMP |
| 1210640076 | S02209TA1E2   | TYPE B 2P PG9 TRANSPARENT NBR FLAT GASKET                               | A1      | 230V    | GREEN LED    |
| 1210640049 | S02209TA041   | TYPE B 2P PG9 TRANSPARENT NBR PROFILE GASKET                            | A0      | 115V    | RED LED/LAMP |
| 1210640044 | S02209TA011   | TYPE B 2P PG9 TRANSPARENT NBR PROFILE GASKET                            | A0      | 12V     | RED LED/LAMP |
| 1210640052 | S02209TA051   | TYPE B 2P PG9 TRANSPARENT NBR PROFILE GASKET                            | A0      | 230V    | RED LED/LAMP |
| 1210641376 | S022M6TC022   | TYPE B 2P M16x1.5 TRANSPARENT NBR FLAT GASKET                           | C0      | 24V     | RED LED/LAMP |
| 1210640080 | S02209TC021   | TYPE B 2P PG9 TRANSPARENT NBR PROFILE GASKET                            | C0      | 24V     | RED LED/LAMP |
| 1210640045 | S02209TA021   | TYPE B 2P PG9 TRANSPARENT NBR PROFILE GASKET                            | A0      | 24V     | RED LED/LAMP |
| 1210640092 | S02209TC351   | TYPE B 2P PG9 TRANSPARENT NBR PROFILE GASKET                            | C3      | 230V    | RED LED/LAMP |

| <b>SEE SHEET ONE</b><br>EC NO: IFC2015-1871<br>DRW: NBCAFFREY 2015/04/28<br>CHK: CHIKO<br>APPR: SUGRIFLIN 2015/05/13<br>REV   | QUALITY SYMBOLS<br> | GENERAL TOLERANCES (UNLESS SPECIFIED)<br><table border="1"> <tr><th colspan="2">mm</th><th>INCH</th></tr> <tr><td>4 PLACES ±</td><td>---</td><td>± ---</td></tr> <tr><td>3 PLACES ±</td><td>---</td><td>± ---</td></tr> <tr><td>2 PLACES ±</td><td>0.1</td><td>± ---</td></tr> <tr><td>1 PLACE ±</td><td>0.2</td><td>± ---</td></tr> <tr><td colspan="3">ANGULAR ± ---°</td></tr> </table> | mm                                   |                            | INCH | 4 PLACES ± | --- | ± --- | 3 PLACES ± | --- | ± --- | 2 PLACES ± | 0.1 | ± --- | 1 PLACE ± | 0.2 | ± --- | ANGULAR ± ---° |  |  | DIMENSION STYLE<br><b>MM ONLY</b> | SCALE<br><b>1.5:1</b> | DESIGN UNITS<br><b>METRIC</b> | THIRD ANGLE PROJECTION<br> |
|---|---------------------|--|--------------------------------------|----------------------------|------|------------|-----|-------|------------|-----|-------|------------|-----|-------|-----------|-----|-------|----------------|--|--|-----------------------------------|-----------------------|-------------------------------|----------------------------|
|   | mm                  |  | INCH                                 |                            |      |            |     |       |            |     |       |            |     |       |           |     |       |                |  |  |                                   |                       |                               |                            |
|   | 4 PLACES ±          | ---  | ± ---                                |                            |      |            |     |       |            |     |       |            |     |       |           |     |       |                |  |  |                                   |                       |                               |                            |
|   | 3 PLACES ±          | ---  | ± ---                                |                            |      |            |     |       |            |     |       |            |     |       |           |     |       |                |  |  |                                   |                       |                               |                            |
| 2 PLACES ±  | 0.1                 | ± ---  |                                      |                            |      |            |     |       |            |     |       |            |     |       |           |     |       |                |  |  |                                   |                       |                               |                            |
| 1 PLACE ±   | 0.2                 | ± ---  |                                      |                            |      |            |     |       |            |     |       |            |     |       |           |     |       |                |  |  |                                   |                       |                               |                            |
| ANGULAR ± ---°  |                     |  |                                      |                            |      |            |     |       |            |     |       |            |     |       |           |     |       |                |  |  |                                   |                       |                               |                            |
| DRAWN BY<br>JOCONNOR  | DATE<br>2011/05/18  | TITLE<br><b>S02 SERIES INTERNAL THREAD</b>   |                                      |                            |      |            |     |       |            |     |       |            |     |       |           |     |       |                |  |  |                                   |                       |                               |                            |
| CHECKED BY<br>DMAHER  | DATE<br>2011/05/19  |  |                                      |                            |      |            |     |       |            |     |       |            |     |       |           |     |       |                |  |  |                                   |                       |                               |                            |
| APPROVED BY<br>EFOLAN   | DATE<br>2011/06/07  | <b>MOLEX INCORPORATED</b>  |                                      |                            |      |            |     |       |            |     |       |            |     |       |           |     |       |                |  |  |                                   |                       |                               |                            |
| DRAFT WHERE APPLICABLE MUST REMAIN WITHIN DIMENSIONS  |                     | MATERIAL NO.<br><b>SEE CHART</b>   | DOCUMENT NO.<br><b>SD-121064-005</b> | SHEET NO.<br><b>2 OF 3</b> |      |            |     |       |            |     |       |            |     |       |           |     |       |                |  |  |                                   |                       |                               |                            |
| THIS DRAWING CONTAINS INFORMATION THAT IS PROPRIETARY TO MOLEX INCORPORATED AND SHOULD NOT BE USED WITHOUT WRITTEN PERMISSION |                     |  |                                      |                            |      |            |     |       |            |     |       |            |     |       |           |     |       |                |  |  |                                   |                       |                               |                            |

| PART No.   | mPm PART No.  | DESCRIPTION   | CIRCUIT | VOLTAGE | INDICATOR    |
|------------|---------------|---|---------|---------|--------------|
| 1210640093 | S02209TC3B1   | TYPE B 2P PG9 TRANSPARENT NBR PROFILE GASKET                            | C3      | 24V     | GREEN LED    |
| 1210640039 | S02209NE051   | TYPE B 2P PG9 BLACK NBR PROFILE GASKET                                  | E0      | 230V    | DIODE        |
| 1210641555 | S02209WE051A  | TYPE B 2P PG9 BLACK V0 NBR PROFILE GASKET & SCREW +2mm                  | E0      | 230V    | DIODE        |
| 1210641364 | S022M6NE052   | TYPE B 2P M16x1.5 BLACK NBR FLAT GASKET                                 | E0      | 230V    | DIODE        |
| 1210640129 | S02209WE051   | TYPE B 2P PG9 BLACK V0 NBR PROFILE GASKET                               | E0      | 230V    | DIODE        |
| 1210640040 | S02209NE052   | TYPE B 2P PG9 BLACK NBR FLAT GASKET                                     | E0      | 230V    | DIODE        |
| 1210641679 | S02209NE05114 | TYPE B 2P PG9 BLACK NBR PROFILE GASKET IN NEUTRAL BAG                   | E0      | 230V    | DIODE        |
| 1210640110 | S02209TC452   | TYPE B 2P PG9 TRANSPARENT NBR FLAT GASKET                               | C4      | 230V    | RED LED/LAMP |
| 1210650089 | S02209TC4515A | TYPE B 2P PG9 TRANSPARENT NBR PROFILE GASKET SINGLE BAGGED 500 IN A BOX | C4      | 230V    | RED LED/LAMP |
| 1210641666 | S02209TC45114 | TYPE B 2P PG9 TRANSPARENT NBR PROFILE GASKET IN NEUTRAL BAG             | C4      | 230V    | RED LED/LAMP |
| 1210641649 | S022M0TC4B1   | TYPE B 2P M20x1.5 TRANSPARENT NBR PROFILE GASKET                        | C4      | 24V     | GREEN LED    |
| 1210640114 | S02209TC4B2   | TYPE B 2P PG9 TRANSPARENT NBR FLAT GASKET                               | C4      | 24V     | GREEN LED    |
| 1210640113 | S02209TC4B1   | TYPE B 2P PG9 TRANSPARENT NBR PROFILE GASKET                            | C4      | 24V     | GREEN LED    |
| 1210640117 | S02209TC4D2   | TYPE B 2P PG9 TRANSPARENT NBR FLAT GASKET                               | C4      | 115V    | GREEN LED    |
| 1210641750 | S02209TC4D1   | TYPE B 2P PG9 TRANSPARENT NBR PROFILE GASKET                            | C4      | 115V    | GREEN LED    |
| 1210640119 | S02209TC4E2   | TYPE B 2P PG9 TRANSPARENT NBR FLAT GASKET                               | C4      | 230V    | GREEN LED    |
| 1210641343 | S02209TC4G1   | TYPE B 2P PG9 TRANSPARENT NBR PROFILE GASKET                            | C4      | 12V     | AMBER LED    |
| 1210640120 | S02209TC4H1   | TYPE B 2P PG9 TRANSPARENT NBR PROFILE GASKET                            | C4      | 24V     | AMBER LED    |
| 1210641375 | S022M6TC4H1   | TYPE B 2P M16x1.5 TRANSPARENT NBR PROFILE GASKET                        | C4      | 24V     | AMBER LED    |
| 1210641601 | S02209TC4K2   | TYPE B 2P PG9 TRANSPARENT NBR FLAT GASKET                               | C4      | 48V     | AMBER LED    |
| 1210641344 | S02209TC4K1   | TYPE B 2P PG9 TRANSPARENT NBR PROFILE GASKET                            | C4      | 48V     | AMBER LED    |
| 1210640123 | S02209TC4L2   | TYPE B 2P PG9 TRANSPARENT NBR FLAT GASKET                               | C4      | 115V    | AMBER LED    |
| 1210640122 | S02209TC4L1   | TYPE B 2P PG9 TRANSPARENT NBR PROFILE GASKET                            | C4      | 115V    | AMBER LED    |
| 1210640094 | S02209TC3H1   | TYPE B 2P PG9 TRANSPARENT NBR PROFILE GASKET                            | C3      | 24V     | AMBER LED    |
| 1210641686 | S02209TC3L1   | TYPE B 2P PG9 TRANSPARENT NBR PROFILE GASKET                            | C3      | 115V    | AMBER LED    |
| 1210640077 | S02209TA1H1   | TYPE B 2P PG9 TRANSPARENT NBR PROFILE GASKET                            | A1      | 24V     | AMBER LED    |
| 1210640124 | S02209TC4M1   | TYPE B 2P PG9 TRANSPARENT NBR PROFILE GASKET                            | C4      | 230V    | AMBER LED    |
| 1210640078 | S02209TA1L1   | TYPE B 2P PG9 TRANSPARENT NBR PROFILE GASKET                            | A1      | 115V    | AMBER LED    |
| 1210641764 | S022M6TC321   | TYPE B 2P M16x1.5 TRANSPARENT NBR PROFILE GASKET                        | C3      | 24V     | RED LED/LAMP |
| 1210640099 | S02209TC422   | TYPE B 2P PG9 TRANSPARENT NBR FLAT GASKET                               | C4      | 24V     | RED LED/LAMP |
| 1210641794 | S022M6TC4215A | TYPE B 2P M16x1.5 TRANSPARENT NBR PROFILE GASKET, UL LISTED             | C4      | 24V     | RED LED      |

|   |  |   |                 |   |              |  |   |
|---|--|---|-----------------|---|--------------|--|---|
| SEE SHEET ONE<br>EC NO: IFC2015-1871<br>DRWN:BCAFFREY 2015/04/28<br>CHKD:<br>APPR:STGRUFFIN 2015/05/13<br>REV | QUALITY SYMBOLS                                      | GENERAL TOLERANCES (UNLESS SPECIFIED)   | DIMENSION STYLE | SCALE   | DESIGN UNITS | THIRD ANGLE PROJECTION   |   |
|   | $\nabla=0$<br>$\nabla=0$                             | mm    INCH<br>4 PLACES ± --- ± ---<br>3 PLACES ± --- ± ---<br>2 PLACES ± 0.1 ± ---<br>1 PLACE ± 0.2 ± ---<br>ANGULAR ± ---° | MM ONLY         | 1.5:1   | METRIC       | DRAWN BY JOCONNOR DATE 2011/05/18<br>CHECKED BY DMAHER DATE 2011/05/19<br>APPROVED BY EFOLAN DATE 2011/06/07<br>MATERIAL NO. | TITLE<br>S02 SERIES INTERNAL THREAD<br>MOLEX INCORPORATED<br>DOCUMENT NO. SD-121064-005 |
|   | DRAFT WHERE APPLICABLE MUST REMAIN WITHIN DIMENSIONS | SEE CHART   | SIZE A 2        | THIS DRAWING CONTAINS INFORMATION THAT IS PROPRIETARY TO MOLEX INCORPORATED AND SHOULD NOT BE USED WITHOUT WRITTEN PERMISSION |              | SHEET NO. 3 OF 3   |   |



| ITEM | DESCRIPTION     |
|------|-----------------|
| 1    | SCREW           |
| 2    | COVER ASSEMBLY  |
| 3    | PCB             |
| 4    | INSERT ASSEMBLY |
| 5    | GASKET          |

S02209TA111\*\*

SERIES S02- INTERNAL THREAD FORM B  
 POLES 2= 2 POLE  
 THREAD 07= PG7, 09= PG9 11= PG11, M2= M12x1.5, M6= M16x1.5, M0= M20x1.5, 39= PG9 WITH STRAIN RELIEF  
 MATERIAL AND HOUSING COLOUR G= PA6 GRAY, N= PA6 BLACK, W= PA6 BLACK VO, T= PA12 TRANSPARENT, B= PA6 WHITE  
 CIRCUIT SEE DETAILS IN CATALOGUE  
 VOLTAGE SEE DETAILS IN CATALOGUE  
 SCREW AND GASKET 1= NBR PROFILE GASKET & SCREW, 2= NBR FLAT GASKET & SCREW, 3= WHITE SILICON PROFILE GASKET & SCREW, 4= WHITE SILICON FLAT GASKET & SCREW, A= NBR PROFILE GASKET AND SCREW +2mm, B= NBR FLAT GASKET AND SCREW +2mm

NON STANDARD COMPONENTS 04= EARTH POSITION AT H6, 14= PACKED IN NEUTRAL BAG, A= SCREW 2mm LONGER THAN STANDARD, 5A= SINGLE BAGGED WITH 500 IN A BOX, 5J= 100 IN A BOX, 5N= PACKED IN BOXES OF 200, SA= UL LISTED

NOTES

- PLEASE SEE SHEET 2 FOR CURRENTLY CONFIGURED PART NUMBERS. FOR SPECIFIC PART NUMBERS PLEASE CONTACT SALES OR CONSULT THE INTELLIGENT PART NUMBERS IN THE TABLE ATTACHED.
- EARTH POSITION SHOWN, H6.
- PRODUCT SPEC: SEE PS-121201-001, WITH EXCEPTION.
- FOR PACKAGING SEE PACKAGING SPEC PK-121065-S02.

LAST INSPECTION NUMBER 2

|   |                               |   |   |   |                    |                                     |                        |                        |
|---|-------------------------------|---|---|---|--------------------|-------------------------------------|------------------------|------------------------|
| UPDATED NOTE 3<br>EC NO: IFC2015-1871<br>DRWN:BCAFFREY 2015/04/28<br>CHKD:<br>APPR:STGRUFFIN 2015/05/13 | QUALITY SYMBOLS<br>▽=0<br>▽=0 | GENERAL TOLERANCES (UNLESS SPECIFIED)   |   | DIMENSION STYLE<br>MM ONLY  |                    | SCALE<br>1.5:1                      | DESIGN UNITS<br>METRIC | THIRD ANGLE PROJECTION |
|   |                               | 4 PLACES ± --- ± ---<br>3 PLACES ± --- ± ---<br>2 PLACES ± 0.1 ± ---<br>1 PLACE ± 0.2 ± ---<br>ANGULAR ± ---° | mm INCH<br>± --- ± ---<br>± --- ± ---<br>± --- ± ---<br>± --- ± --- | DRAWN BY<br>JOCONNOR  | DATE<br>2011/05/18 | TITLE<br>S02 SERIES INTERNAL THREAD |                        |                        |
|   |                               | DRAFT WHERE APPLICABLE MUST REMAIN WITHIN DIMENSIONS  |   | CHECKED BY<br>MAHER   | DATE<br>2011/05/19 | MOLEX INCORPORATED                  |                        |                        |
|   |                               | SEE SHEET 2 & 3   |   | APPROVED BY<br>EFOLAN   | DATE<br>2011/06/07 | DOCUMENT NO.<br>SD-121064-005       |                        | SHEET NO.<br>1 OF 3    |
|   |                               |   |   | THIS DRAWING CONTAINS INFORMATION THAT IS PROPRIETARY TO MOLEX INCORPORATED AND SHOULD NOT BE USED WITHOUT WRITTEN PERMISSION |                    |                                     |                        |                        |

| PART No.   | mPm PART No.  | DESCRIPTION   | CIRCUIT | VOLTAGE | INDICATOR    |
|------------|---------------|---|---------|---------|--------------|
| 1210641752 | S02209TA111   | TYPE B 2P PG9 TRANSPARENT NBR PROFILE GASKET                            | A1      | 12V     | RED LED/LAMP |
| 1210641404 | S02209TA11B   | TYPE B 2P PG9 TRANSPARENT NBR FLAT GASKET, & SCREW +2mm                 | A1      | 12V     | RED LED/LAMP |
| 1210640058 | S02209TA121   | TYPE B 2P PG9 TRANSPARENT NBR PROFILE GASKET                            | A1      | 24V     | RED LED/LAMP |
| 1210641584 | S022M2TA121   | TYPE B 2P M12x1.5 TRANSPARENT NBR PROFILE GASKET                        | A1      | 24V     | RED LED/LAMP |
| 1210640004 | S02207TA121   | TYPE B 2P PG7 TRANSPARENT NBR PROFILE GASKET                            | A1      | 24V     | RED LED/LAMP |
| 1210640087 | S02209TC321   | TYPE B 2P PG9 TRANSPARENT NBR PROFILE GASKET                            | C3      | 24V     | RED LED/LAMP |
| 1210640135 | S02239TC321   | TYPE B 2P PG9 W/STRAIN RELIEF TRANSPARENT NBR PROFILE GASKET            | C3      | 24V     | RED LED/LAMP |
| 1210641593 | S02207TC321   | TYPE B 2P PG7 TRANSPARENT NBR PROFILE GASKET                            | C3      | 24V     | RED LED/LAMP |
| 1210640095 | S02209TC411   | TYPE B 2P PG9 TRANSPARENT NBR PROFILE GASKET                            | C4      | 12V     | RED LED/LAMP |
| 1210640007 | S02207TC421   | TYPE B 2P PG7 TRANSPARENT NBR PROFILE GASKET                            | C4      | 24V     | RED LED/LAMP |
| 1210640097 | S02209TC421   | TYPE B 2P PG9 TRANSPARENT NBR PROFILE GASKET                            | C4      | 24V     | RED LED/LAMP |
| 1210650081 | S02209TC4215J | TYPE B 2P PG9 TRANSPARENT NBR PROFILE GASKET IN BOXES OF 100            | C4      | 24V     | RED LED/LAMP |
| 1210641406 | S022M6TC421   | TYPE B 2P M16x1.5 TRANSPARENT NBR PROFILE GASKET                        | C4      | 24V     | RED LED/LAMP |
| 1210641742 | S02209TC322   | TYPE B 2P PG9 TRANSPARENT NBR FLAT GASKET                               | C3      | 24V     | RED LED/LAMP |
| 1210640060 | S02209TA122   | TYPE B 2P PG9 TRANSPARENT NBR FLAT GASKET                               | A1      | 24V     | RED LED/LAMP |
| 1210650061 | S02209TA12204 | TYPE B 2P PG9 TRANSPARENT NBR FLAT GASKET, EARTH AT H6 POSITION         | A1      | 24V     | RED LED/LAMP |
| 1210640061 | S02209TA12B   | TYPE B 2P PG9 TRANSPARENT NBR FLAT GASKET, & SCREW +2mm                 | A1      | 24V     | RED LED/LAMP |
| 1210640062 | S02209TA131   | TYPE B 2P PG9 TRANSPARENT NBR PROFILE GASKET                            | A1      | 48V     | RED LED/LAMP |
| 1210641580 | S022M0TC421   | TYPE B 2P M20x1.5 TRANSPARENT NBR PROFILE GASKET                        | C4      | 24V     | RED LED/LAMP |
| 1210640101 | S02209TC42B   | TYPE B 2P PG9 TRANSPARENT NBR FLAT GASKET, & SCREW +2mm                 | C4      | 24V     | RED LED/LAMP |
| 1210650080 | S02209TC4215A | TYPE B 2P PG9 TRANSPARENT NBR PROFILE GASKET SINGLE BAGGED 500 IN A BOX | C4      | 24V     | RED LED/LAMP |
| 1210641668 | S02209TC42114 | TYPE B 2P PG9 TRANSPARENT NBR PROFILE GASKET IN NEUTRAL BAG             | C4      | 24V     | RED LED/LAMP |
| 1210640064 | S02209TA141   | TYPE B 2P PG9 TRANSPARENT NBR PROFILE GASKET                            | A1      | 115V    | RED LED/LAMP |
| 1210640005 | S02207TA141   | TYPE B 2P PG7 TRANSPARENT NBR PROFILE GASKET                            | A1      | 115V    | RED LED/LAMP |
| 1210640066 | S02209TA142   | TYPE B 2P PG9 TRANSPARENT NBR FLAT GASKET                               | A1      | 115V    | RED LED/LAMP |
| 1210640067 | S02209TA14B   | TYPE B 2P PG9 TRANSPARENT NBR FLAT GASKET, & SCREW +2mm                 | A1      | 115V    | RED LED/LAMP |
| 1210640068 | S02209TA151   | TYPE B 2P PG9 TRANSPARENT NBR PROFILE GASKET                            | A1      | 230V    | RED LED/LAMP |
| 1210641409 | S02209TC332   | TYPE B 2P PG9 TRANSPARENT NBR FLAT GASKET                               | C3      | 48V     | RED LED/LAMP |
| 1210640035 | S02209ND021   | TYPE B 2P PG9 BLACK NBR PROFILE GASKET                                  | D0      | 24V     | DIODE        |
| 1210640069 | S02209TA152   | TYPE B 2P PG9 TRANSPARENT NBR FLAT GASKET                               | A1      | 230V    | RED LED/LAMP |
| 1210640070 | S02209TA15B   | TYPE B 2P PG9 TRANSPARENT NBR FLAT GASKET, & SCREW +2mm                 | A1      | 230V    | RED LED/LAMP |
| 1210640102 | S02209TC431   | TYPE B 2P PG9 TRANSPARENT NBR PROFILE GASKET                            | C4      | 48V     | RED LED/LAMP |
| 1210641675 | S02209TC4315A | TYPE B 2P PG9 TRANSPARENT NBR PROFILE GASKET SINGLE BAGGED 500 IN A BOX | C4      | 48V     | RED LED/LAMP |
| 1210640028 | S02209BC432   | TYPE B 2P PG9 WHITE NBR FLAT GASKET                                     | C4      | 48V     | RED LED/LAMP |
| 1210640037 | S02209ND041   | TYPE B 2P PG9 BLACK NBR PROFILE GASKET                                  | D0      | 115V    | DIODE        |
| 1210640071 | S02209TA1B1   | TYPE B 2P PG9 TRANSPARENT NBR PROFILE GASKET                            | A1      | 24V     | GREEN LED    |
| 1210640038 | S02209ND051   | TYPE B 2P PG9 BLACK NBR PROFILE GASKET                                  | D0      | 230V    | DIODE        |
| 1210640104 | S02209TC441   | TYPE B 2P PG9 TRANSPARENT NBR PROFILE GASKET                            | C4      | 115V    | RED LED/LAMP |
| 1210640072 | S02209TA1B2   | TYPE B 2P PG9 TRANSPARENT NBR FLAT GASKET                               | A1      | 24V     | GREEN LED    |
| 1210640106 | S02209TC442   | TYPE B 2P PG9 TRANSPARENT NBR FLAT GASKET                               | C4      | 115V    | RED LED/LAMP |
| 1210641674 | S02209TC4415A | TYPE B 2P PG9 TRANSPARENT NBR PROFILE GASKET SINGLE BAGGED 500 IN A BOX | C4      | 115V    | RED LED/LAMP |
| 1210641613 | S022M2TS021   | TYPE B 2P M12x1.5 TRANSPARENT NBR PROFILE GASKET                        | S0      | 24V     | RED LED/LAMP |
| 1210640009 | S02207TC441   | TYPE B 2P PG7 TRANSPARENT NBR PROFILE GASKET                            | C4      | 115V    | RED LED/LAMP |
| 1210640108 | S02209TC451   | TYPE B 2P PG9 TRANSPARENT NBR PROFILE GASKET                            | C4      | 230V    | RED LED/LAMP |
| 1210640076 | S02209TA1E2   | TYPE B 2P PG9 TRANSPARENT NBR FLAT GASKET                               | A1      | 230V    | GREEN LED    |
| 1210640049 | S02209TA041   | TYPE B 2P PG9 TRANSPARENT NBR PROFILE GASKET                            | A0      | 115V    | RED LED/LAMP |
| 1210640044 | S02209TA011   | TYPE B 2P PG9 TRANSPARENT NBR PROFILE GASKET                            | A0      | 12V     | RED LED/LAMP |
| 1210640052 | S02209TA051   | TYPE B 2P PG9 TRANSPARENT NBR PROFILE GASKET                            | A0      | 230V    | RED LED/LAMP |
| 1210641376 | S022M6TC022   | TYPE B 2P M16x1.5 TRANSPARENT NBR FLAT GASKET                           | C0      | 24V     | RED LED/LAMP |
| 1210640080 | S02209TC021   | TYPE B 2P PG9 TRANSPARENT NBR PROFILE GASKET                            | C0      | 24V     | RED LED/LAMP |
| 1210640045 | S02209TA021   | TYPE B 2P PG9 TRANSPARENT NBR PROFILE GASKET                            | A0      | 24V     | RED LED/LAMP |
| 1210640092 | S02209TC351   | TYPE B 2P PG9 TRANSPARENT NBR PROFILE GASKET                            | C3      | 230V    | RED LED/LAMP |

|   |                     |   |  |                                   |                                      |  |                               |                        |
|---|---------------------|---|--|-----------------------------------|--------------------------------------|--|-------------------------------|------------------------|
| <b>SEE SHEET ONE</b><br>EC NO: IFC2015-1871<br>DRW: NBCAFFREY 2015/04/28<br>CHK: CHIKO<br>APPR: SUGRIFLIN 2015/05/13<br>REV   | QUALITY SYMBOLS<br> | GENERAL TOLERANCES (UNLESS SPECIFIED)   |  | DIMENSION STYLE<br><b>MM ONLY</b> |                                      | SCALE<br><b>1.5:1</b>                      | DESIGN UNITS<br><b>METRIC</b> | THIRD ANGLE PROJECTION |
|   |                     | 4 PLACES ± --- ± ---<br>3 PLACES ± --- ± ---<br>2 PLACES ± 0.1 ± ---<br>1 PLACE ± 0.2 ± ---<br>ANGULAR ± ---° | mm INCH<br>± --- ± ---<br>± --- ± ---<br>± --- ± --- | DRAWN BY<br>JOCONNOR              | DATE<br>2011/05/18                   | TITLE<br><b>S02 SERIES INTERNAL THREAD</b> |                               |                        |
|   |                     | CHECKED BY<br>DMAHER  | DATE<br>2011/05/19                                   | <b>MOLEX INCORPORATED</b>         |                                      |  |                               |                        |
|   |                     | APPROVED BY<br>EFOLAN   | DATE<br>2011/06/07                                   | MATERIAL NO.<br><b>SEE CHART</b>  | DOCUMENT NO.<br><b>SD-121064-005</b> | SHEET NO.<br><b>2 OF 3</b>                 |                               |                        |
| DRAFT WHERE APPLICABLE MUST REMAIN WITHIN DIMENSIONS  |                     |   |  |                                   |                                      |  |                               |                        |
| THIS DRAWING CONTAINS INFORMATION THAT IS PROPRIETARY TO MOLEX INCORPORATED AND SHOULD NOT BE USED WITHOUT WRITTEN PERMISSION |                     |   |  |                                   |                                      |  |                               |                        |