

S05 SERIES MATRIX

S 0 5 2 0 7 T A 1 2 2 * *

SERIES:
S05- INTERNAL THREAD
FORM C

POLES:
2-2 POLE

THREAD:
07-PG7
M2-M12X1.5

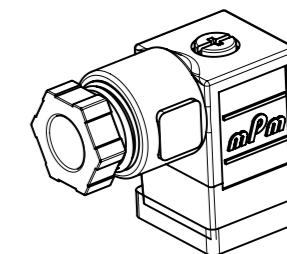
MATERIAL AND
HOUSING COLOUR:
T-TRANSPARENT

CIRCUIT:
SEE DETAILS
IN CATALOGUE

VOLTAGE:
SEE DETAILS
IN CATALOGUE

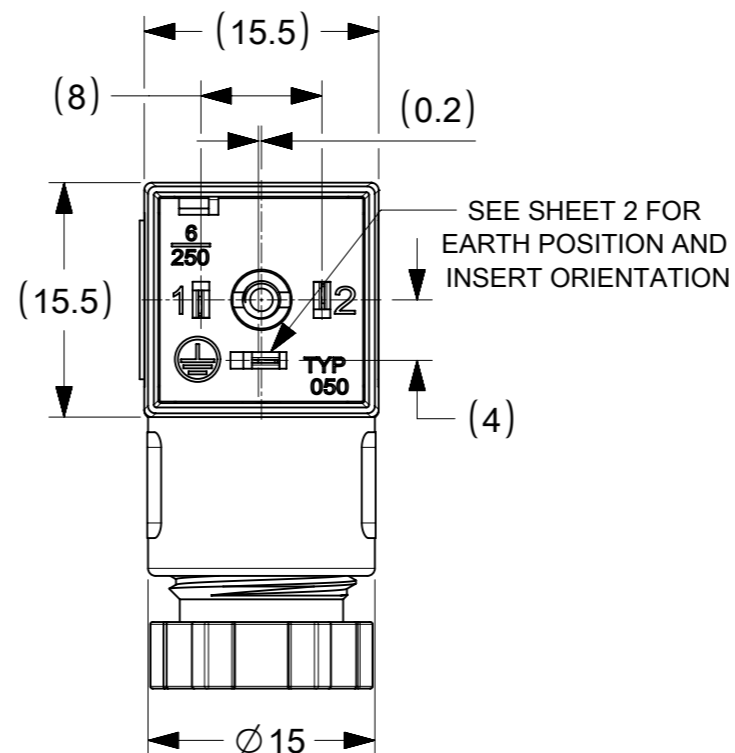
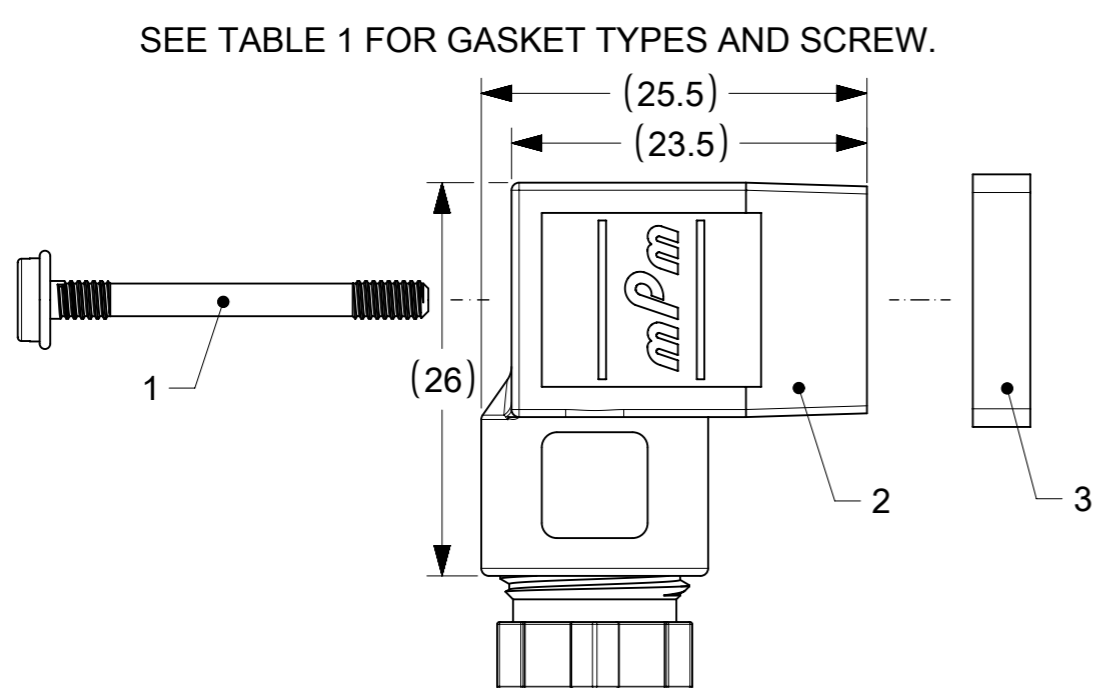
SCREW AND GASKET:
1- NBR PROFILE GASKET & SCREW
2- NBR FLAT GASKET & SCREW

NON STANDARD COMPONENTS:
14-PACKED IN NEUTRAL BAG
SA-UL LISTED



SCALE 1:1

SEE TABLE 1 FOR GASKET TYPES AND SCREW.



SEE SHEET 2 FOR
EARTH POSITION AND
INSERT ORIENTATION

ITEM	DESCRRPTION/OPIS
1	SCREW
2	COVER+INSERT ASSEMBLY
3	GASKET

GASKET HIDDEN FOR CLARITY

TABLE 1

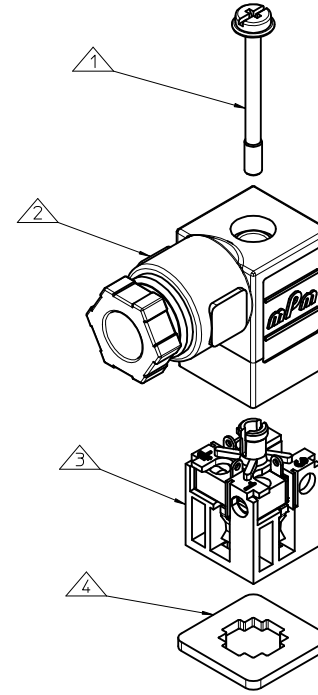
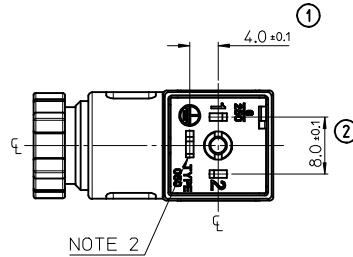
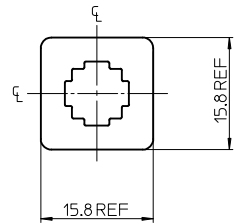
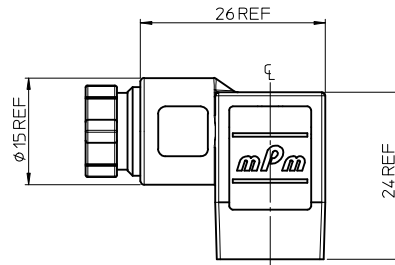
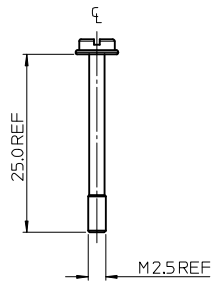
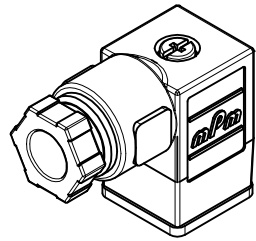
PROFILED GASKET	FLAT GASKET	SCREW M2.5x25

TECHNICAL SPECIFICATION:

OPERATING CURRENT: 10A
CONTACT RESISTANCE: <15 mOhms MAX.

OPERATING TEMPERATURE:
NBR GASKET: -40° TO +90°C
SILICONE GASKET: -40° TO +125°C

SYMBOLS DIMENSION UNITS: mm SCALE: 2:1 GENERAL TOLERANCES (UNLESS SPECIFIED): ANGULAR TOL ± 1.0° 4 PLACES ± 3 PLACES ± 2 PLACES ± 0.05 1 PLACE ± 0.3 0 PLACES ± 0.5 DRAFT WHERE APPLICABLE MUST REMAIN WITHIN DIMENSIONS	THIS DRAWING CONTAINS INFORMATION THAT IS PROPRIETARY TO MOLEX ELECTRONIC TECHNOLOGIES, LLC AND SHOULD NOT BE USED WITHOUT WRITTEN PERMISSION		CURRENT REV DESC: INITIAL RELEASE				
	EC NO: 613943 DRWN: MDHARMANTI 2018/12/03 CHK'D: RSILLER 2019/03/19 APPR: RSILLER 2019/03/19		S052 PG07 TRANS XV LED & VDR				
	INITIAL REVISION: DRWN: MDHARMANTI 2018/12/03 APPR: RSILLER 2019/03/19		PRODUCT CUSTOMER DRAWING				
	DRAFT WHERE APPLICABLE MUST REMAIN WITHIN DIMENSIONS		THIRD ANGLE PROJECTION				
DOCUMENT NUMBER: 1210640168		DOC TYPE: PSD		DOC PART: 000		REVISION: A	
MATERIAL NUMBER: SEE PART LIST		CUSTOMER: GENERAL MARKET		SHEET NUMBER: 1 OF 2			



ITEM	DESCRIPTION
1	SCREW
2	COVER ASSEMBLY
3	INSERT ASSEMBLY
4	GASKET

S05207TA122**

SERIES
 S05= INTERNAL THREAD FORM C
 POLES
 2= 2 POLE & 3= 3 POLE
 THREAD
 07= PG7, M2= M12x15
 MATERIAL AND HOUSING COLOUR
 G= PA6 GRAY, N= PA6 BLACK, W= PA6 BLACK V0, T= TRANSPARENT
 CIRCUIT
 SEE DETAILS IN CATALOGUE
 VOLTAGE
 SEE DETAILS IN CATALOGUE
 SCREW AND GASKET
 1= NBR PROFILE GASKET & SCREW
 2= NBR FLAT GASKET & SCREW
 3= WHITE SILICON PROFILE GASKET & SCREW
 4= WHITE SILICON FLAT GASKET & SCREW
 NON STANDARD COMPONENTS
 14= PACKED IN NEUTRAL BAG
 5N= PACKED IN BOXES OF 200

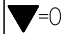
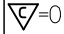
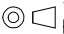
NOTES

- PLEASE SEE SHEET 2 FOR CURRENTLY CONFIGURED PART NUMBERS. FOR SPECIFIC PART NUMBERS PLEASE CONTACT SALES OR CONSULT THE INTELLIGENT PART NUMBERS IN THE TABLE ATTACHED.
- EARTH POSITION SHOWN, H6.
- FOR PACKAGING SEE PACKAGING SPEC PK-121065-S05
- PRODUCT SPEC: SEE PS-121201-001

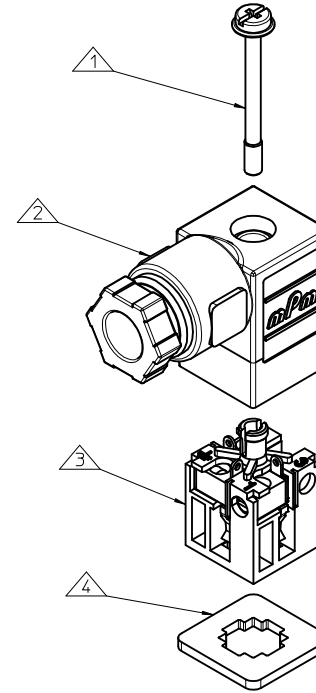
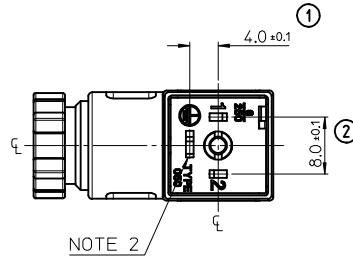
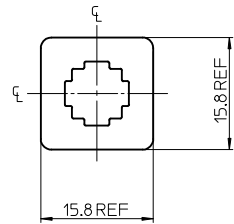
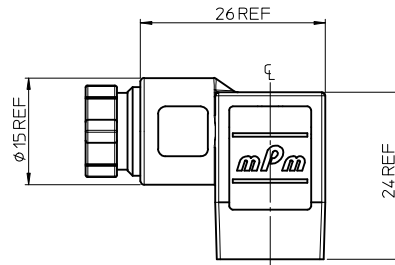
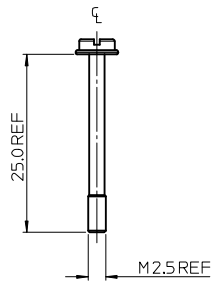
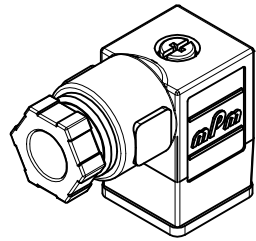
LAST INSPECTION NUMBER 2

ADDED PART NUMBER	DESCRIPTION	QUALITY SYMBOLS		GENERAL TOLERANCES (UNLESS SPECIFIED)		DIMENSION STYLE		SCALE	DESIGN UNITS	THIRD ANGLE PROJECTION	
		mm	INCH	mm	INCH	MM ONLY	2:1	METRIC	THIRD ANGLE PROJECTION		
EC NO: IFC2013-0751	2012/11/21	▽=0	▽=0	4 PLACES ±---	±---	DRAWN BY	DATE	TITLE	S05 SERIES INTERNAL THREAD		
DRW:NGSHEA	2012/11/23	▽=0	▽=0	3 PLACES ±---	±---	JOCANNOR	2011/05/11				
CHKD:DMAHER	2012/11/23			2 PLACES ±0.1	±---	CHECKED BY	DATE		MOLEX INCORPORATED		
APPR:STGRIFLIN	2012/12/05			1 PLACE ±0.2	±---	DMAHER	2011/05/11				
				ANGULAR ±---°	±---°	APPROVED BY	DATE		SD-121064-001		
						EFOLAN	2011/05/25				
						MATERIAL NO.			SHEET NO. 1 OF 2		
						SEE SHEET 2					
						THIS DRAWING CONTAINS INFORMATION THAT IS PROPRIETARY TO MOLEX INCORPORATED AND SHOULD NOT BE USED WITHOUT WRITTEN PERMISSION					

PART No.	mPm PART No.	DESCRIPTION	CIRCUIT	VOLTAGE	INDICATOR
1210640155	S05207TA022	TYPE C 2P PG7 TRANSPARENT NBR FLAT GASKET	A0	24V	RED LED/LAMP
1210640159	S05207TA122	TYPE C 2P PG7 TRANSPARENT NBR FLAT GASKET	A1	24V	RED LED
1210640160	S05207TA142	TYPE C 2P PG7 TRANSPARENT NBR FLAT GASKET	A1	115V	RED LED
1210640161	S05207TA152	TYPE C 2P PG7 TRANSPARENT NBR FLAT GASKET	A1	230V	RED LED
1210641267	S05207TA1H2	TYPE C 2P PG7 TRANSPARENT NBR FLAT GASKET	A1	24V	AMBER LED
1210641318	S05207TA121	TYPE C 2P PG7 TRANSPARENT NBR PROFILE GASKET	A1	24V	RED LED
1210641485	S05207TA1B1	TYPE C 2P PG7 TRANSPARENT NBR PROFILE GASKET	A1	24V	GREEN LED
1210641564	S05207TA1B2	TYPE C 2P PG7 TRANSPARENT NBR FLAT GASKET	A1	24V	GREEN LED
1210641565	S05207TA1E2	TYPE C 2P PG7 TRANSPARENT NBR FLAT GASKET	A1	230V	GREEN LED
1210641731	S05207TA1H1	TYPE C 2P PG7 TRANSPARENT NBR PROFILE GASKET	A1	24V	AMBER LED
1210641732	S05207TA1L1	TYPE C 2P PG7 TRANSPARENT NBR PROFILE GASKET	A1	115V	AMBER LED
1210641745	S05207TA1L2	TYPE C 2P PG7 TRANSPARENT NBR FLAT GASKET	A1	115V	AMBER LED
1210640164	S05207TC322	TYPE C 2P PG7 TRANSPARENT NBR FLAT GASKET	C3	24V	RED LED
1210640165	S05207TC3H1	TYPE C 2P PG7 TRANSPARENT NBR PROFILE GASKET	C3	24V	AMBER LED
1210641396	S05207TC321	TYPE C 2P PG7 TRANSPARENT NBR PROFILE GASKET	C3	24V	RED LED
1210641730	S05207TC3H2	TYPE C 2P PG7 TRANSPARENT NBR FLAT GASKET	C3	24V	AMBER LED
1210640167	S05207TC421	TYPE C 2P PG7 TRANSPARENT NBR PROFILE GASKET	C4	24V	RED LED
1210640168	S05207TC422	TYPE C 2P PG7 TRANSPARENT NBR FLAT GASKET	C4	24V	RED LED
1210640169	S05207TC4225N	TYPE C 2P PG7 TRANSPARENT NBR FLAT GASKET IN BOX OF 200	C4	24V	RED LED
1210640171	S05207TC442	TYPE C 2P PG7 TRANSPARENT NBR FLAT GASKET	C4	115V	RED LED
1210640172	S05207TC452	TYPE C 2P PG7 TRANSPARENT NBR FLAT GASKET	C4	230V	RED LED
1210640173	S05207TC4B2	TYPE C 2P PG7 TRANSPARENT NBR FLAT GASKET	C4	24V	GREEN LED
1210640175	S05207TC4D2	TYPE C 2P PG7 TRANSPARENT NBR FLAT GASKET	C4	115V	GREEN LED
1210640179	S05207TC4H2	TYPE C 2P PG7 TRANSPARENT NBR FLAT GASKET	C4	24V	AMBER LED
1210640181	S05207TC4L2	TYPE C 2P PG7 TRANSPARENT NBR FLAT GASKET	C4	115V	AMBER LED
1210640182	S05207TC4M2	TYPE C 2P PG7 TRANSPARENT NBR FLAT GASKET	C4	230V	AMBER LED
1210641245	S05207TC4B1	TYPE C 2P PG7 TRANSPARENT NBR PROFILE GASKET	C4	24V	GREEN LED
1210641253	S05207TC4H1	TYPE C 2P PG7 TRANSPARENT NBR PROFILE GASKET	C4	24V	AMBER LED
1210641446	S05207TC4M1	TYPE C 2P PG7 TRANSPARENT NBR PROFILE GASKET	C4	230V	AMBER LED
1210641459	S05207TC4Z4	TYPE C 2P PG7 TRANSPARENT WHITE SILICON FLAT GASKET	C4	24V	RED LED
1210641486	S052M2TC4B1	TYPE C 2P M12x1.5 TRANSPARENT NBR PROFILE GASKET	C4	24V	GREEN LED
1210641751	S05207TC4K2	TYPE C 2P PG7 TRANSPARENT NBR FLAT GASKET	C4	48V	AMBER LED
1210650105	S05207TC42214	TYPE C 2P PG7 TRANSPARENT NBR FLAT GASKET IN NEUTRAL BAG	C4	24V	RED LED
1210650552	S05207TC4525N	TYPE C 2P PG7 TRANSPARENT NBR FLAT GASKET IN BOX OF 200	C4	230V	RED LED
1210640183	S05207TS0H1	TYPE C 2P PG7 TRANSPARENT NBR PROFILE GASKET	S0	24V	AMBER LED
1210641799	S052M2TC322	TYPE C 2P M12x1.5 TRANSPARENT NBR FLAT GASKET	C3	24V	RED LED

SEE SHEET 1 EC NO: IPG2013-0751 DRWNG:JSHEA 2012/11/21 CHKD:DMAHER 2012/11/23 APPR:SGRIFFIN 2012/12/05	QUALITY SYMBOLS  = 0  = 0.1	GENERAL TOLERANCES (UNLESS SPECIFIED)		DIMENSION STYLE MM ONLY		SCALE 2:1	DESIGN UNITS METRIC	 THIRD ANGLE PROJECTION	
		4 PLACES ± --- ± --- 3 PLACES ± --- ± --- 2 PLACES ± 0.1 ± --- 1 PLACE ± 0.2 ± ---	mm INCH ± --- ± --- ± 0.1 ± --- ± 0.2 ± ---	DRAWN BY JOCONNOR	DATE 2011/05/11	TITLE S05 SERIES INTERNAL THREAD			
		DRAFT WHERE APPLICABLE MUST REMAIN WITHIN DIMENSIONS		CHECKED BY DMAHER	DATE 2011/05/11	MOLEX INCORPORATED			
				APPROVED BY EFOLAN	DATE 2011/05/25	MATERIAL NO. SEE CHART	DOCUMENT NO. SD-121064-001	SHEET NO. 2 OF 2	

THIS DRAWING CONTAINS INFORMATION THAT IS PROPRIETARY TO MOLEX INCORPORATED AND SHOULD NOT BE USED WITHOUT WRITTEN PERMISSION



ITEM	DESCRIPTION
1	SCREW
2	COVER ASSEMBLY
3	INSERT ASSEMBLY
4	GASKET

S05207TA122**

SERIES
 S05= INTERNAL THREAD FORM C
 POLES
 2= 2 POLE & 3= 3 POLE
 THREAD
 07= PG7, M2= M12x15
 MATERIAL AND HOUSING COLOUR
 G= PA6 GRAY, N= PA6 BLACK, W= PA6 BLACK V0, T= TRANSPARENT
 CIRCUIT
 SEE DETAILS IN CATALOGUE
 VOLTAGE
 SEE DETAILS IN CATALOGUE
 SCREW AND GASKET
 1= NBR PROFILE GASKET & SCREW
 2= NBR FLAT GASKET & SCREW
 3= WHITE SILICON PROFILE GASKET & SCREW
 4= WHITE SILICON FLAT GASKET & SCREW
 NON STANDARD COMPONENTS
 14= PACKED IN NEUTRAL BAG
 5N= PACKED IN BOXES OF 200

NOTES

- PLEASE SEE SHEET 2 FOR CURRENTLY CONFIGURED PART NUMBERS. FOR SPECIFIC PART NUMBERS PLEASE CONTACT SALES OR CONSULT THE INTELLIGENT PART NUMBERS IN THE TABLE ATTACHED.
- EARTH POSITION SHOWN, H6.
- FOR PACKAGING SEE PACKAGING SPEC PK-121065-S05
- PRODUCT SPEC: SEE PS-121201-001

LAST INSPECTION NUMBER 2

ADDED PART NUMBER	DESCRIPTION	QUALITY SYMBOLS		GENERAL TOLERANCES (UNLESS SPECIFIED)		DIMENSION STYLE		SCALE	DESIGN UNITS	THIRD ANGLE PROJECTION
		mm	INCH	mm	INCH	MM ONLY	2:1	METRIC	THIRD ANGLE PROJECTION	
EC NO: IFC2013-0751	2012/11/21	DRWN:DSHEA	2012/11/23	CHKO:DMAHER	2012/11/23	APPR:STGRIFLIN	2012/12/05			
4 PLACES	± ---	± ---				DRAWN BY	DATE	TITLE	S05 SERIES INTERNAL THREAD	
3 PLACES	± ---	± ---				JOCONNOR	2011/05/11			
2 PLACES	± 0.1	± ---				CHECKED BY	DATE			
1 PLACE	± 0.2	± ---				DMAHER	2011/05/11			
ANGULAR	± ---°					APPROVED BY	DATE			
						EFOLAN	2011/05/25			
DRAFT WHERE APPLICABLE MUST REMAIN WITHIN DIMENSIONS		SEE SHEET 2		MATERIAL NO.		DOCUMENT NO.		MOLEX INCORPORATED		SHEET NO. 1 OF 2
		SIZE A 2		THIS DRAWING CONTAINS INFORMATION THAT IS PROPRIETARY TO MOLEX INCORPORATED AND SHOULD NOT BE USED WITHOUT WRITTEN PERMISSION						