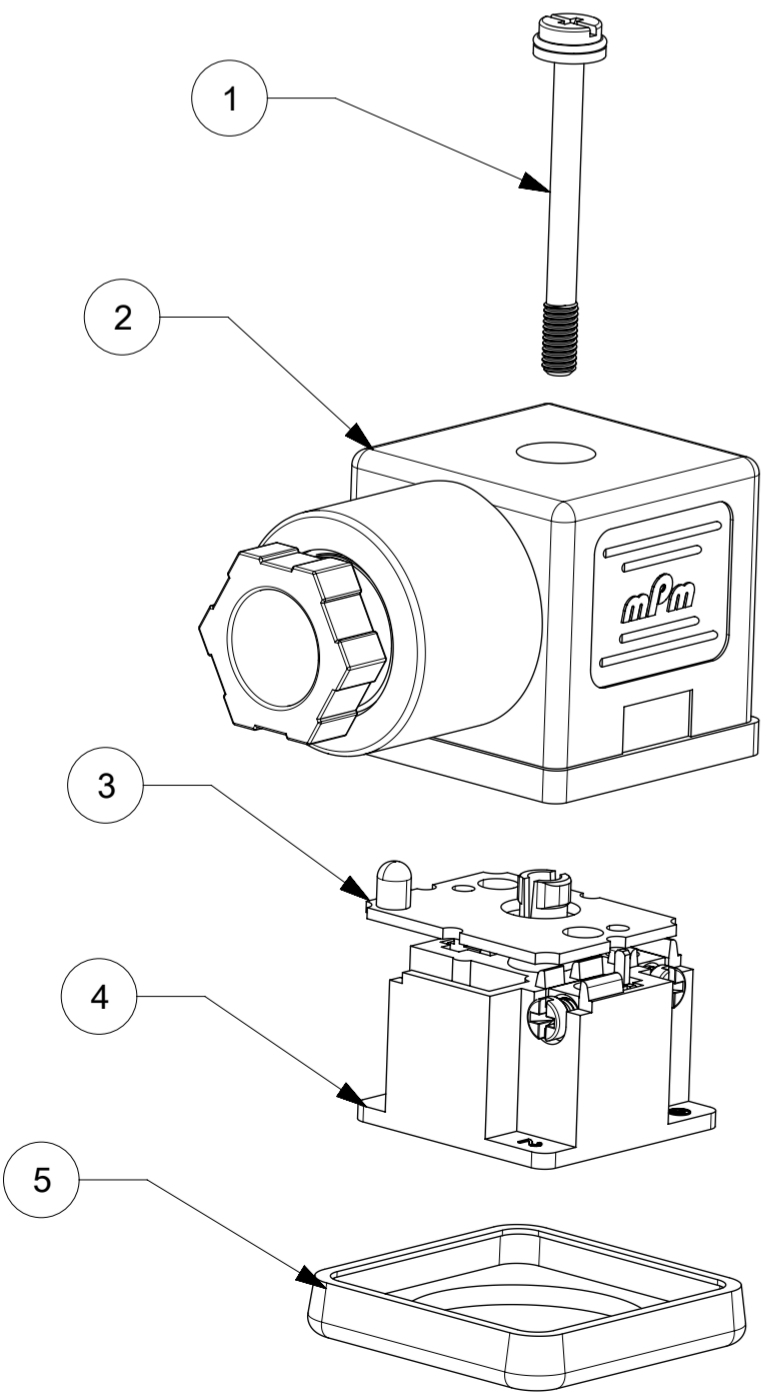


S18 3 09 T A1 2 2 **

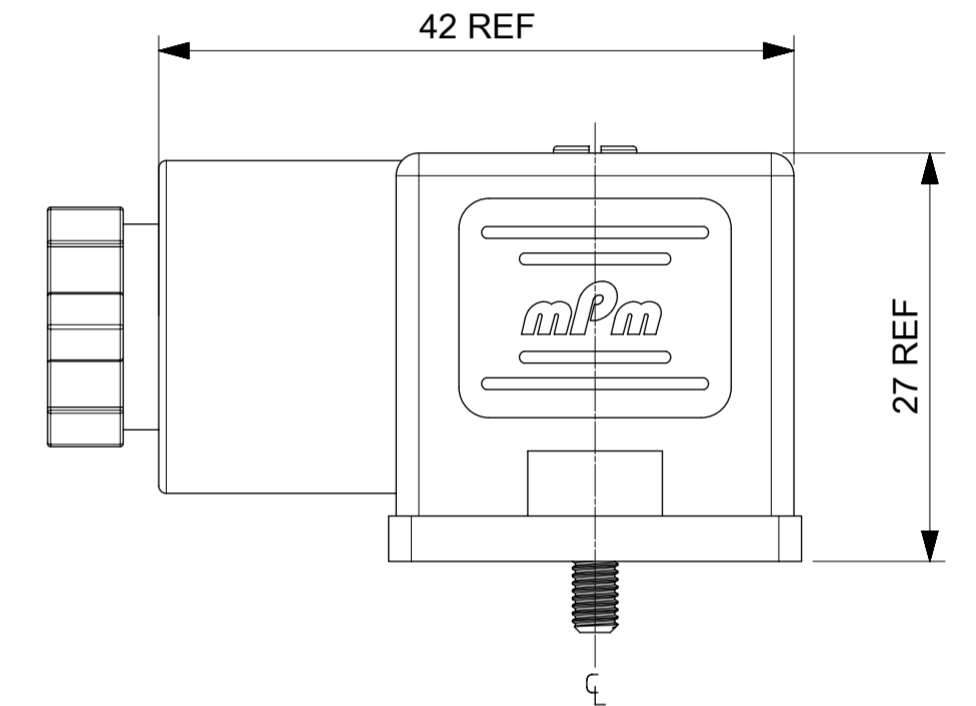
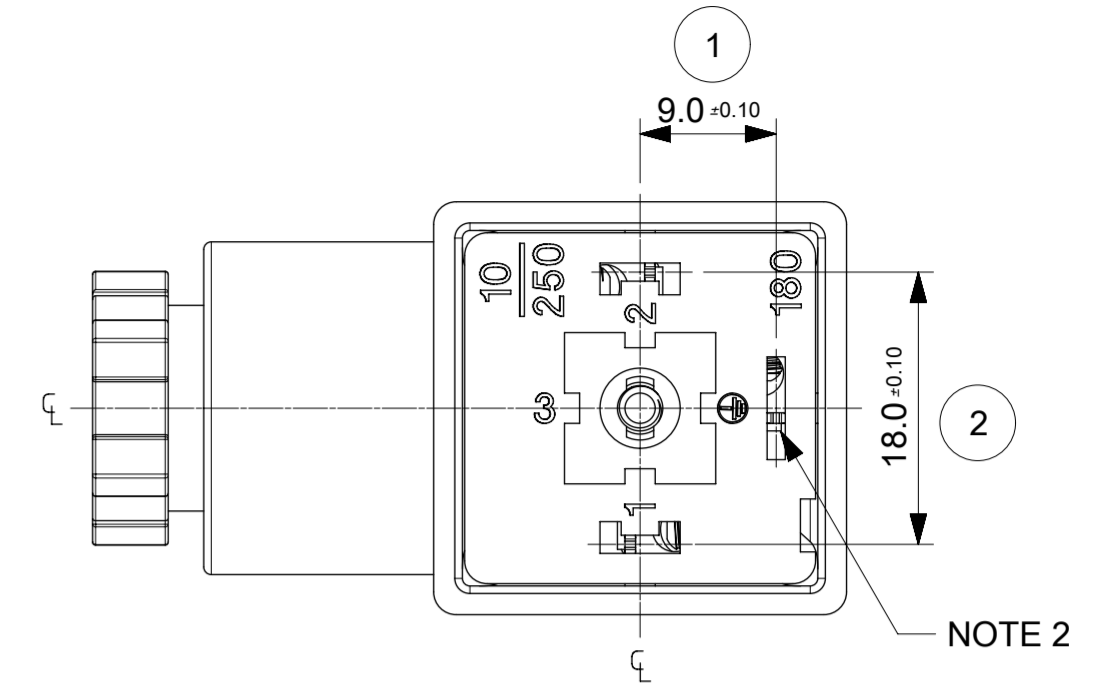
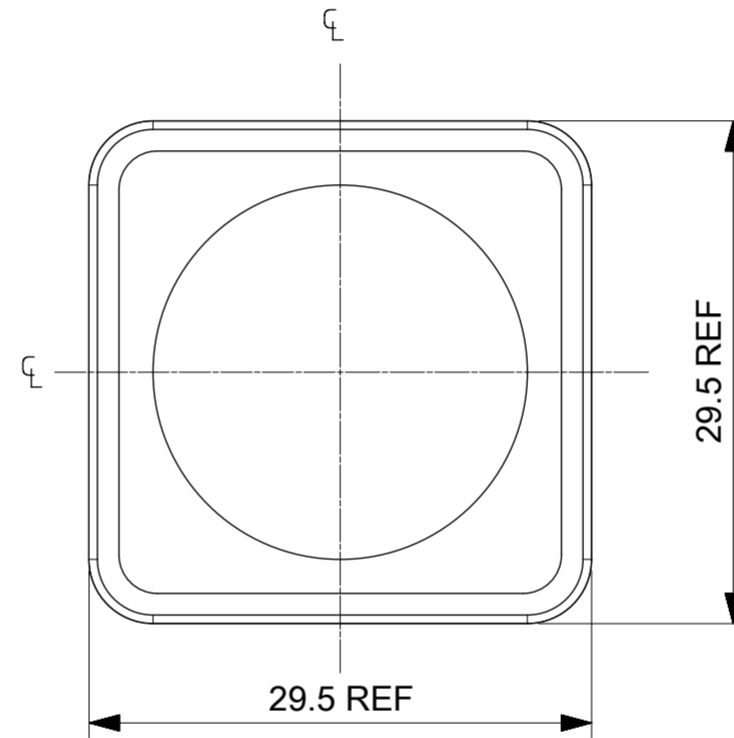
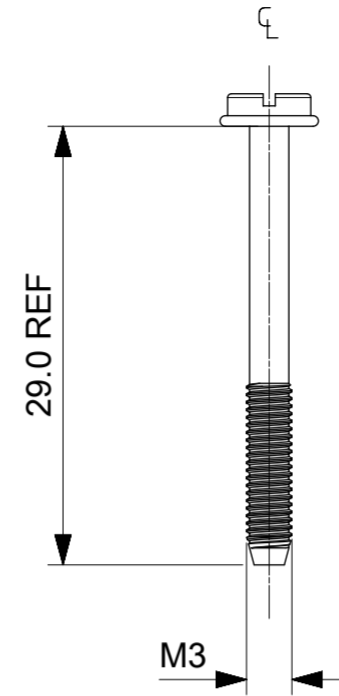
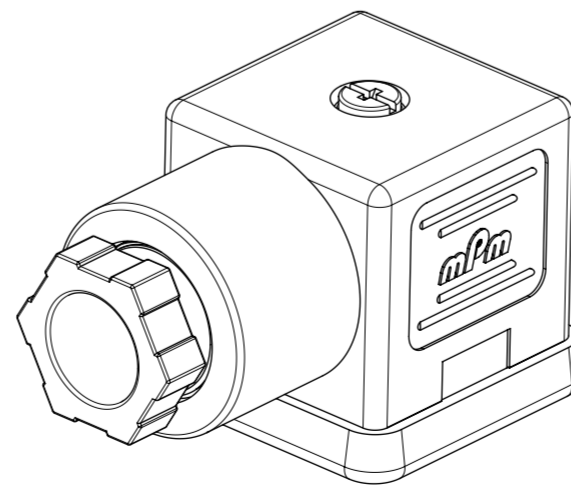
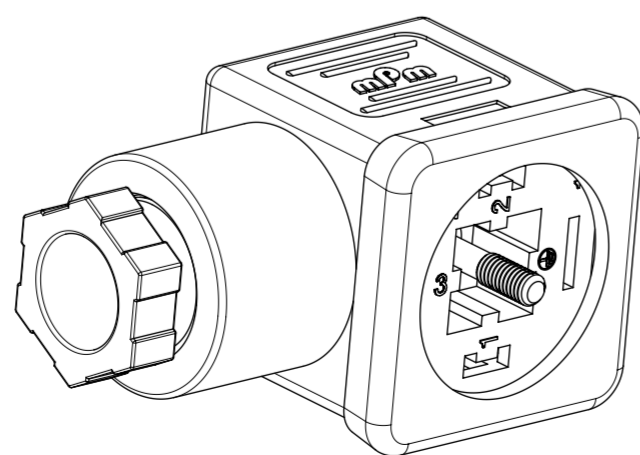
SERIES _____
 S18= INTERNAL THREAD FORM A
 POLES _____
 2= 2 POLE & 3= 3 POLE
 THREAD _____
 09= PG9, 11= PG11, M6=M16x1.5, M0= M20x1.5, 12= 1/2" GAS 13= 1/2" NPTF
 MATERIAL AND HOUSING COLOUR _____
 G= PA6 GRAY, N= PA6 BLACK, W= PA6 BLACK V0, T= PA12 TRANSPARENT,
 B= PA6 WHITE
 CIRCUIT _____
 SEE DETAILS IN CATALOGUE
 VOLTAGE _____
 SEE DETAILS IN CATALOGUE
 SCREW AND GASKET _____

1= NBR PROFILE GASKET & SCREW
 2= NBR FLAT GASKET & SCREW
 3= WHITE SILICON PROFILE GASKET & SCREW
 4= WHITE SILICON FLAT GASKET & SCREW
 A= NBR PROFILE GASKET & SCREW +2mm
 B= NBR FLAT GASKET & SCREW +2mm
 P= SCREW WITH GROMMET (IP67) &
 NBR INTEGRATED GASKET ASSEMBLED

NON STANDARD COMPONENTS
 14= PACKED IN NEUTRAL BAG
 23= FULLY MOUNTED
 54= WITH PIN 3 AS EARTH
 65= SPECIAL GROMMET
 67= NEUTRAL PACKAGING
 84= TAMPO PRINTING ON DIODE
 3F= 24DC W/O TAMPO PRINTING
 5J= BOXES OF 100
 5N= PACKED IN BOXES OF 200
 6U= GI BY500-800 DIODE
 AF= CENTRE SCREW MOUNTED
 AG= DIODE IN4948
 P7= IP67 COMPLIANT
 SA= UL LISTED PART
 CZ= GROMMET 4 DISCRETE WIRES



ITEM	DESCRIPTION
1	SCREW
2	COVER ASSEMBLY
3	PCB
4	INSERT ASSEMBLY
5	GASKET



NOTES

- PLEASE SEE EXCEL SHEET 1210640002_PDP FOR CURRENTLY CONFIGURED PART NUMBERS.
 FOR SPECIFIC PART NUMBERS PLEASE CONTACT SALES OR CONSULT THE INTELLIGENT PART NUMBER ON THE TOP LEFT OF THIS PAGE.
- EARTH POSITION SHOWN, H12.
- FOR PACKAGING SEE PACKAGING SPEC PK-121064-S18
- PRODUCT SPEC: SEE PS-121201-001

LAST INSPECTION NUMBER 2

2016/12/16		2016/12/22		GENERAL TOLERANCES (UNLESS SPECIFIED)		DIMENSION UNITS		SCALE				
AE		REV		4 PLACES ±		MM		1.5:1				
108491		STGRIFIN		3 PLACES ±		DRWN BY		DATE		PRODUCT CUSTOMER DRAWING		
TCLEARY		STGRIFIN		2 PLACES ± 0.1		BCAFFREY		2016/04/11		SERIES		
TCLEARY		STGRIFIN		1 PLACE ± 0.2		CHK'D BY		DATE		MATERIAL NUMBER		
TCLEARY		STGRIFIN		0 PLACES ±		APPR BY		DATE		CUSTOMER		
TCLEARY		STGRIFIN		DRAFT WHERE APPLICABLE MUST REMAIN WITHIN DIMENSIONS		STGRIFIN		2016/04/12		121064		
AE		REV		A2		DRAWING SIZE		THIRD ANGLE PROJECTION		SEE 1210640002_PDP		
AE		REV		A2		A2		THIRD ANGLE PROJECTION		GENERAL MARKET		
AE		REV		A2		A2		THIRD ANGLE PROJECTION		DOCUMENT NUMBER		
AE		REV		A2		A2		THIRD ANGLE PROJECTION		SD-121064-002		
AE		REV		A2		A2		THIRD ANGLE PROJECTION		DOC TYPE		
AE		REV		A2		A2		THIRD ANGLE PROJECTION		PSD		
AE		REV		A2		A2		THIRD ANGLE PROJECTION		DOC PART		
AE		REV		A2		A2		THIRD ANGLE PROJECTION		000		
AE		REV		A2		A2		THIRD ANGLE PROJECTION		SHEET NUMBER		
AE		REV		A2		A2		THIRD ANGLE PROJECTION		1 OF 1		