

INDUSTRIAL AUTOMATION

mPm[®] DIN VALVE CONNECTORS

*Conform to industry standard EN 175301-803
(formerly DIN 43650)*



Find the Latest Innovations and Information **at molex.com**

For the most in-depth and up-to-date information on all our products, visit molex.com. It's designed to help you get more done in less time with advanced search capabilities, 3D models, product specifications, easy sample ordering and more.



molex.com provides a first stop for comprehensive overviews of our industrial products. Some of the tools you'll find are:

Capabilities Videos

Short online videos highlight key industry products, as well as our unique cross-functional design and manufacturing capabilities.

Featured Products

To find out about new products that can take your design to the next level, look no further than this convenient product spotlight.

Other Time-Saving Site Features

Monthly E-ouncements

Electronic newsletter keeps you up-to-date on our latest innovations

Favorite Products Feature

Let you select and save up to 200 products as you browse

New Videos, Webinars, Articles and More

Available right from our home page

Detailed Application Pages

Instant Access to Product Specs

TABLE OF CONTENTS

mPm® Field Attachable DIN Valve Connectors	4
Form A, Ext. Thread	6
Form Industrial, Ext. Thread	7
Form B, Ext. Thread	8
Form C, Ext. Thread	9
Form Micro, Ext. Thread	10
Form A, Intern. Thread	11
Form Industrial, Intern. Thread	13
Form B, Intern. Thread	14
Form C, Intern. Thread	15
Micro Form, Intern. Thread	16
Form A, Intern. Thread	17
Form Industrial, Intern. Thread	18
Form A, Intern. Thread	19
mPm® Molded Cable DIN Valve Connectors	20
Form A, Overmolded	22
Form Industrial, Overmolded	23
Form B, Overmolded	24
Form C, Overmolded	25
Form Micro, Overmolded	26
DIN Valve to Brad® M12, Overmolded	27
DUAL DIN Valve, Overmolded	28
DIN Valve to Brad® ILS, Overmolded	30
DIN Valve to Brad® M12 Overmolded Adaptor	31
Cable Options	32
Circuit Options	33
mPm® DIN Bases for DIN Valve Connectors	34
mPm® DIN Adaptors for DIN Valve Connectors	40
mPm® DIN Spare Parts for DIN Valve Connectors	49
Supply Voltage and LED Color	33
Ground PIN Position	51



**MOLEX DIN VALVE CONNECTOR
SOLUTIONS >
EMPHASIZE PERFORMANCE AND
RELIABILITY**

The Molex range of field attachable DIN valve connectors provide unsurpassed sealing properties and increase performance, simplify manufacturing processes, reduce inventory and lower applied costs for hydraulic, pneumatic and electromagnetic devices as well as sensors.



Source: Siemens AG

mPm[®] **Field Attachable** **DIN Valve Connectors** **Conform to EN 175301-803 (ex DIN 43650)**

The mPm[®] range of connectors is used extensively to provide electrical connection in a wide range of applications. The most common application for mPm DIN connectors is in conjunction with pneumatic, hydraulic or electromagnetic devices, including solenoid valves. Other applications include, for example, pressure transducers, proximity switches, level sensors, limit switches and low energy motors. Molex manufactures an extensive and comprehensive range of connectors with standard options including for example LED illuminated devices as well as VDR, diodes or transil diodes (with or without illuminated device) to offer protection against overvoltage peaks. Brad[®] DIN mPm connectors offer protection from dust and water (IP65 or IP67 on specific request) when correctly installed with screw and gasket which are supplied together with the connector.



IP67 rated DIN valve connectors with improved strain relief. Cable retention force increased by up to 20% over internal nut styles. Enlarged cable range that covers the PG9 and PG11 internal thread connector cable range. Conforms to EN 175301-803.

Specifications

ELECTRICAL

Max. Current: 16.0A
 Contact Resistance:
 ≤ 15 milliohms max.
 Insulation Resistance:
 100 Megohms min.
 Max. Conductor: 1.50mm² / 16AWG

MECHANICAL

Insertion and Withdrawal Force:
 2+GND ≤ 60N

CERTIFICATION

UL recognized *cURus* marked, file E218123 (product available upon request or specific part number)

PHYSICAL

Durability: min. 50 cycles
 Contact Area: Silver
 Solder Tail Area: Silver
 Operating Temperature with:
 Nitrile Rubber (NBR) Gasket:
 -40° to +90°C
 Silicone Gasket: -40° to +125°C
 Cable Diameter Range: 4.00-9.00mm
 Live Contact Distance:
 18.00mm

ENVIRONMENTAL

IP67 Sealing Protection

Non Electronic

C28 2 00 N 0 R **

SERIES — C28=External Thread Form A
POLES — 2=2Poles+Ground 3=3Poles+Ground
THREAD — 00=External Thread
COVER COLOR — N=Black Cover G=Gray Cover W=V0 Black Cover (only with UL listed connectors)
GROUND POSITION — 0=Unmounted 2=H12 3=H3 6=H6 9=H9
SCREW & GASKET — R=Integrated NBR Gasket & IP67 Screw, S=Integrated Silicone Gasket & IP67 Screw
PACKAGING STYLE — no digit=Single Bag Unmounted, SN=Bulk Pack Mounted, CN=Bulk Pack Unmounted

Electronic

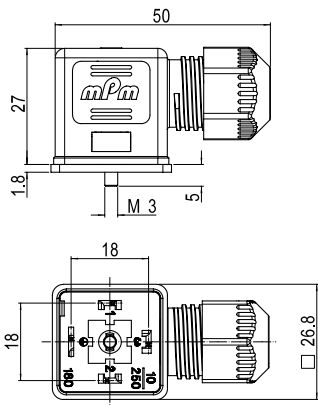
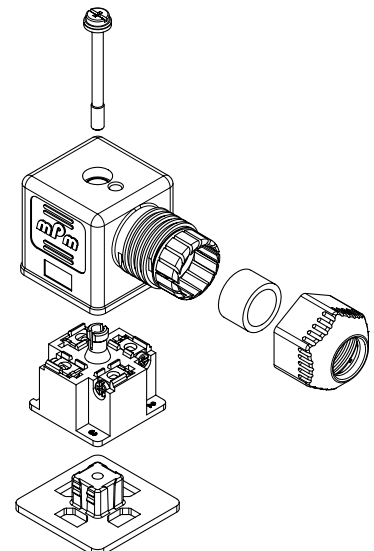
S28 2 00 T C4 2 0 R **

SERIES — S28=External Thread Form A
POLES — 2=2Poles+Ground
THREAD — 00=External Thread
COVER COLOR — N=Black Cover G=Gray Cover T=Transparent
CIRCUIT — see page 33
VOLTAGE & LED COLOR — see page 33
GROUND POSITION — 0=Unmounted 2=H12 3=H3 6=H6 9=H9
SCREW & GASKET — R=Integrated NBR Gasket & IP67 Screw, S=Integrated Silicone Gasket & IP67 Screw
PACKAGING STYLE — no digit=Single Bag Unmounted, SN=Bulk Pack Mounted, CN=Bulk Pack Unmounted



mPm®
Field Attachable
DIN Valve
Connectors

121201 Form A, Ext. Thread, Non-Electronic
121207 Form A, Ext. Thread, Electronic



Note: UL listed part number identified by adding suffix SA at the end of the nomenclature in conjunction with UL material (W for black and T for transparent) e.g. C28200W2R5NSA

Build your connector using the intelligent part number system and contact your local sales representative to identify the proper EDP number to use in your purchase orders

Packaging Type		Poles	Circuit	Voltage	LED Color	Engineering No.	Standard Order No.
Single Bag	Unmounted	2+Ground	NO	250V AC/300V DC	NO	C28200N0R	121201-0001
Bulk Pack	Mounted		NO	250V AC/300V DC	NO	C28200N2RSN	121201-0034
Single Bag	Unmounted	3+Ground	NO	250V AC/300V DC	NO	C28300N0R	121201-0002
Bulk Pack	Mounted		NO	250V AC/300V DC	NO	C28300N2RSN	121201-0038
Single Bag	Unmounted	2+Ground	C4	24V AC/DC	yellow	S28200TC4H0R	121207-0005
Bulk Pack	mounted		C4	24V AC/DC	yellow	S28200TC4H2RSN	121207-0368
Single Bag	Unmounted		C4	230V AC/DC	yellow	S28200TC4M0R	121207-0106
Bulk Pack	mounted		C4	230V AC/DC	yellow	S28200TC4M2RSN	121207-0371

IP67 rated DIN valve connector with improved strain relief. Cable retention force increased up to 20% over internal nut style. Enlarged cable range that covers the PG9 and PG11 internal thread connectors cable range.

Specifications

ELECTRICAL

Max. Current 16.0A
 Contact Resistance: ≤15milliohms max.
 Insulation Resistance:
 100Megohms min.
 Max. Conductor: 1.50mm² / 16AWG

MECHANICAL

Insertion and Withdrawal Force:
 2+GND ≤ 60N

CERTIFICATION

UL recognized, *cURus* marked, file E218123 (product available upon request or specific part number)

PHYSICAL

Durability: min. 50 cycles
 Contact Area: Silver
 Solder Tail Area: Silver
 Operating Temperature with:
 Nitrile Rubber (NBR) Gasket: -40° +90°C
 Silicone Gasket: -40° +125°C
 Cable Diameter Range: 4.00-9.00mm
 Live Contact Distance: 11.00mm

ENVIRONMENTAL

IP67 Sealing Protection

Non Electronic

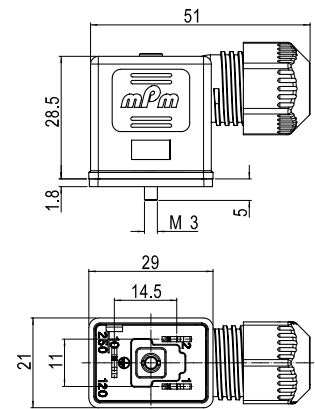
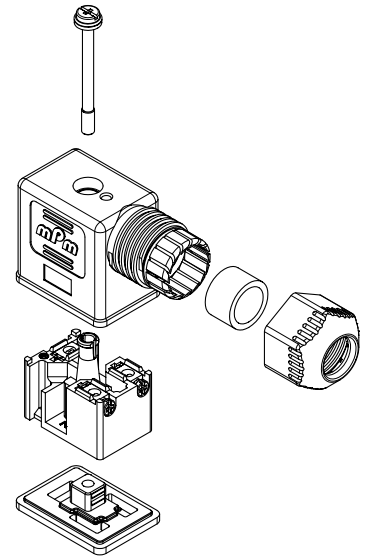
C22 2 00 N 0 R **

SERIES C22=External Thread Form Industrial
POLES 2=2Poles+Ground
THREAD 00=External Thread
COVER COLOR N=Black Cover G=Gray Cover W=V0 Black Cover (only with UL listed connectors)
GROUND POSITION 0=Unmounted 2=H12 6=H6
SCREW & GASKET R=Integrated NBR Gasket & IP67 Screw, S=Integrated Silicone Gasket & IP67 Screw
PACKAGING STYLE no digit=Single Bag Unmounted, SN=Bulk Pack Mounted, CN=Bulk Pack Unmounted

Electronic

S22 2 00 T C4 2 0 R **

SERIES S22=External Thread Form Industrial
POLES 2=2Poles+Ground
THREAD 00=External Thread
COVER COLOR N=Black Cover G=Gray Cover T=Transparent
CIRCUIT see page 33
VOLTAGE & LED COLOR see page 33
GROUND POSITION 0=Unmounted 2=H12 6=H6
SCREW & GASKET R=Integrated NBR Gasket & IP67 Screw, S=Integrated Silicone Gasket & IP67 Screw
PACKAGING STYLE no digit=Single Bag Unmounted, SN=Bulk Pack Mounted, CN=Bulk Pack Unmounted



Note: UL listed part number identified by adding suffix SA at the end of the nomenclature in conjunction with UL material (W for black and T for transparent) e.g. C28200W2RSN5A

Build your connector using the intelligent part number system and contact your local sales representative to identify the proper EDP number to use in your purchase orders

Packaging Type		Poles	Circuit	Voltage	LED Color	Engineering No.	Standard Order No.
Single Bag	Unmounted	2+Ground	NO	250V AC/300V DC	NO	C22200N0R	1212020001
Bulk Pack	Mounted		NO	250V AC/300V DC	NO	C22200N2RSN	1212020012
Single Bag	Unmounted		C4	24V AC/DC	yellow	S22200TC4H0R	1212080080
Bulk Pack	Mounted		C4	24V AC/DC	yellow	S22200TC4H2RSN	1212080240
Single Bag	Unmounted		C4	230V AC/DC	yellow	S22200TC4M0R	1212080083
Bulk Pack	Mounted		C4	230V AC/DC	yellow	S22200TC4M2RSN	1212080243

IP67 rated DIN valve connector with improved strain relief. Cable retention force increased up to 20% over internal nut style. Enlarged cable range that covers the PG9 and PG11 internal thread connectors cable range. Conforms to EN 175301-803

Specifications

ELECTRICAL

Current: max. 16.0A
 Contact Resistance: ≤15milliohms max.
 Insulation Resistance:
 100Megohms min.
 Max. Conductor: 1.50mm² / 16AWG

MECHANICAL

Insertion and Withdrawal Force:
 2+GND ≤ 60N

CERTIFICATION

UL recognized, *cURus* marked, file E218123 (product available upon request or specific part number)

PHYSICAL

Durability: min. 50 cycles
 Contact Area: Silver
 Solder Tail Area: Silver
 Operating Temperature with:
 Nitrile Rubber (NBR) Gasket:
 -40° +90°C
 Silicone Gasket: -40° +125°C
 Cable Diameter Range: 4.00-9.00mm
 Live Contact Distance: 10.00mm

ENVIRONMENTAL

IP67 Sealing Protection

Non Electronic

C92 2 00 N 0 T **

SERIES — C92=External Thread Form B
POLES — 2=2Poles+Ground
THREAD — 00=External Thread
COVER COLOR — N=Black Cover G=Gray Cover W=V0 Black Cover (only with UL listed connectors)
GROUND POSITION — 0=Unmounted 2=H12 6=H6
SCREW & GASKET — T=Profile NBR Gasket & IP67 Screw, U=Profile Silicone Gasket & IP67 Screw
PACKAGING STYLE — no digit=Single Bag Unmounted, SN=Bulk Pack Mounted, CN=Bulk Pack Unmounted

Electronic

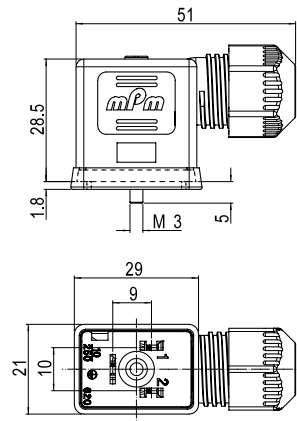
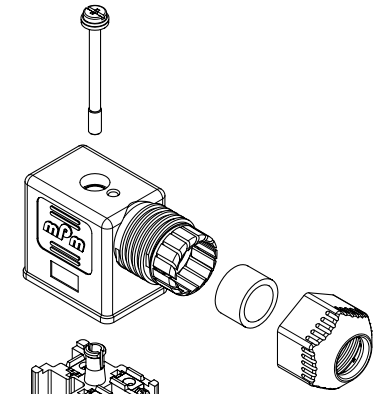
S92 2 00 T C4 2 0 T **

SERIES — S92=External Thread Form B
POLES — 2=2Poles+Ground
THREAD — 00=External Thread
COVER COLOR — N=Black Cover G=Gray Cover T=Transparent
CIRCUIT — see page 33
VOLTAGE & LED COLOR — see page 33
GROUND POSITION — 0=Unmounted 2=H12 6=H6
SCREW & GASKET — T=Profile NBR Gasket & IP67 Screw, U=Profile Silicone Gasket & IP67 Screw
PACKAGING STYLE — no digit=Single Bag Unmounted, SN=Bulk Pack Mounted, CN=Bulk Pack Unmounted



mPm®
Field Attachable
DIN Valve
Connectors

121203 Form B, Ext. Thread, Non-Electronic
121209 Form B, Ext. Thread, Electronic



Note: UL listed part number identified by adding suffix SA at the end of the nomenclature in conjunction with UL material (W for black and T for transparent) e.g. C28200W2RSNSA

Build your connector using the intelligent part number system and contact your local sales representative to identify the proper EDP number to use in your purchase orders

Packaging Type		Poles	Circuit	Voltage	LED Color	Engineering No.	Standard Order No.
Single Bag	Unmounted	2+Ground	NO	250V AC/300V DC	NO	C92200N0T	121203-0001
Bulk Pack	Mounted		NO	250V AC/300V DC	NO	C92200N2TSN	121203-0009
Single Bag	Unmounted		C4	24V AC/DC	yellow	S92200TC4H0T	121209-0047
Bulk Pack	Mounted		C4	24V AC/DC	yellow	S92200TC4H2TSN	121209-0207
Single Bag	Unmounted		C4	230V AC/DC	yellow	S92200TC4M0T	121209-0050
Bulk Pack	Mounted		C4	230V AC/DC	yellow	S92200TC4M2TSN	121209-0210

IP67 rated DIN valve connector with improved strain relief. Cable retention force increased up to 20% over internal nut style. Enlarged cable range that covers the internal thread connectors cable range. Conforms to EN 175301-803

Specifications

ELECTRICAL

Current: max. 10.0A
 Contact Resistance: ≤15milliohms max.
 Insulation Resistance:
 100Megohms min.
 Max. Conductor: 0.75mm² / 18AWG

MECHANICAL

Insertion and Withdrawal Force:
 2+GND ≤ 60N

CERTIFICATION

UL recognized, *cURus* marked, file E218123 (product available upon request or specific part number)

PHYSICAL

Durability: min. 50 cycles
 Contact Area: Silver
 Solder Tail Area: Silver
 Operating Temperature with:
 Nitrile Rubber (NBR) Gasket: -40° +90°C
 Silicone Gasket: -40° +125°C
 Cable Diameter Range: 3.00-5.50mm
 Live Contact Distance: 8.00mm

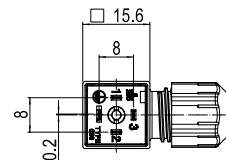
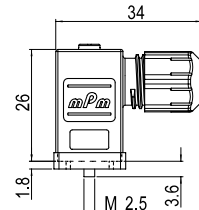
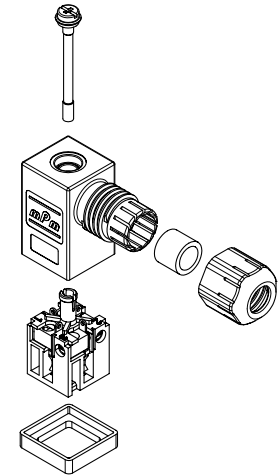
ENVIRONMENTAL

IP67 Sealing Protection

mPm® Field Attachable DIN Valve Connectors

121204 Form C, Ext. Thread,
Non-Electronic

121210 Form C, Ext. Thread,
Electronic



Non Electronic

C25 2 00 N 0 T **

SERIES — C25=External Thread Form C
POLES — 2=2Poles+Ground 3=3Poles+Ground
THREAD — 00=External Thread
COVER COLOR — N=Black Cover G=Gray Cover W=V0 Black Cover (only with UL listed connectors)
GROUND POSITION — 0=Unmounted 2=H12 3=H3 6=H6 9=H9
SCREW & GASKET — T=Profile NBR Gasket & IP67 Screw, U=Profile Silicone Gasket & IP67 Screw
PACKAGING STYLE — no digit=Single Bag Unmounted, SN=Bulk Pack Mounted, CN=Bulk Pack Unmounted

Electronic

S25 2 00 T C4 2 0 T **

SERIES — S25=External Thread Form C
POLES — 2=2Poles+Ground
THREAD — 00=External Thread
COVER COLOR — N=Black Cover G=Gray Cover T=Transparent
CIRCUIT — see page 33
VOLTAGE & LED COLOR — see page 33
GROUND POSITION — 0=Unmounted 2=H12 3=H3 6=H6 9=H9
SCREW & GASKET — T=Profile NBR Gasket & IP67 Screw, U=Profile Silicone Gasket & IP67 Screw
PACKAGING STYLE — no digit=Single Bag Unmounted, SN=Bulk Pack Mounted, CN=Bulk Pack Unmounted

Note: UL listed part number identified by adding suffix SA at the end of the nomenclature in conjunction with UL material (W for black and T for transparent) e.g. C28200W2RSNSA

Build your connector using the intelligent part number system and contact your local sales representative to identify the proper EDP number to use in your purchase orders

Packaging Type		Poles	Circuit	Voltage	LED Color	Engineering No.	Standard Order No.
Single Bag	Unmounted	2+Ground	NO	250V AC/300V DC	NO	C25200N0T	121204-0001
Bulk Pack	Mounted		NO	250V AC/300V DC	NO	C25200N2TSN	121204-0010
Single Bag	Unmounted		C4	24V AC/DC	yellow	S25200TC4H0T	121210-0042
Bulk Pack	Mounted		C4	24V AC/DC	yellow	S25200TC4H2TSN	121210-0342
Single Bag	Unmounted		C4	230V AC/DC	yellow	S25200TC4M0T	121210-0045
Bulk Pack	Mounted		C4	230V AC/DC	yellow	S25200TC4M2TSN	121210-0345

IP67 rated DIN valve connector with improved strain relief. Cable retention force increased up to 20% over internal nut style. Enlarged cable range that covers internal thread connectors cable range.

Specifications

ELECTRICAL

Max. Current 10.0A
 Contact Resistance: ≤15milliohms max.
 Insulation Resistance:
 100Megohms min.
 Max Conductor: 0.75mm² / 18AWG

MECHANICAL

Insertion and Withdrawal Force:
 2+GND ≤ 60N

CERTIFICATION

UL recognized, *cURus* marked, file E218123 (product available upon request or specific part number)

PHYSICAL

Durability: min. 50 cycles
 Contact Area: Silver
 Solder Tail Area: Silver
 Operating Temperature with:
 Nitrile Rubber (NBR) Gasket:
 -40° +90°C
 Silicone Gasket -40° to +125°C
 Cable Diameter Range: 3.00-5.50mm
 Live Contact Distance: 9.40mm

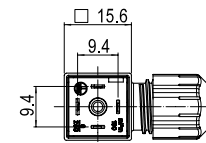
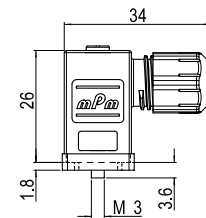
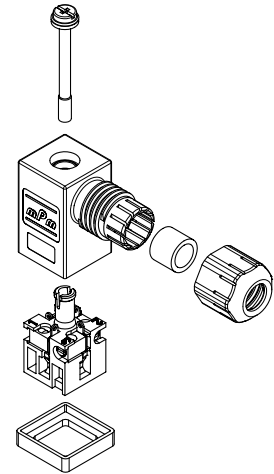
ENVIRONMENTAL

IP67 Sealing Protection

mPm® Field Attachable DIN Valve Connectors

121205 Form Micro, Ext. Thread
Non-Electronic

121211 Form Micro, Ext. Thread
Electronic



Non Electronic

C29 2 00 N 0 T **

- SERIES** — C29=External Thread Form Micro
- POLES** — 2=2Poles+Ground 3=3Poles+Ground
- THREAD** — 00=External Thread
- COVER COLOR** — N=Black Cover G=Gray Cover W=V0 Black Cover (only with UL listed connectors)
- GROUND POSITION** — 0=Unmounted 2=H12 3=H3 6=H6 9=H9
- SCREW & GASKET** — T=Profile NBR Gasket & IP67 Screw, U=Profile Silicone Gasket & IP67 Screw
- PACKAGING STYLE** — no digit=Single Bag Unmounted, SN=Bulk Pack Mounted, CN=Bulk Pack Unmounted

Electronic

S29 2 00 T C4 2 0 T **

- SERIES** — S29=External Thread Form Micro
- POLES** — 2=2Poles+Ground
- THREAD** — 00=External Thread
- COVER COLOR** — N=Black Cover G=Gray Cover T=Transparent
- CIRCUIT** — see page 33
- VOLTAGE & LED COLOR** — see page 33
- GROUND POSITION** — 0=Unmounted 2=H12 3=H3 6=H6 9=H9
- SCREW & GASKET** — T=Profile NBR Gasket & IP67 Screw, U=Profile Silicone Gasket & IP67 Screw
- PACKAGING STYLE** — no digit=Single Bag Unmounted, SN=Bulk Pack Mounted, CN=Bulk Pack Unmounted

Note: UL listed part number identified by adding suffix SA at the end of the nomenclature in conjunction with UL material (W for black and T for transparent) e.g. C28200W2R5NSA

Build your connector using the intelligent part number system and contact your local sales representative to identify the proper EDP number to use in your purchase orders

Packaging Type		Poles	Circuit	Voltage	LED Color	Engineering No.	Standard Order No.
Single Bag	Unmounted	2+Ground	NO	250V AC/300V DC	NO	C29200N0T	121205-0001
Bulk Pack	Mounted		NO	250V AC/300V DC	NO	C29200N2TSN	121205-0012
Single Bag	Unmounted		C4	24V AC/DC	yellow	S29200TC4H0T	121211-0042
Bulk Pack	Mounted		C4	24V AC/DC	yellow	S29200TC4H2TSN	121211-0342
Single Bag	Unmounted		C4	230V AC/DC	yellow	S29200TC4M0T	121211-0045
Bulk Pack	Mounted		C4	230V AC/DC	yellow	S29200TC4M2TSN	121211-0345

**Standard internal thread DIN valve connector, IP65 rated.
Available with different thread style, gaskets and circuitry.
Conforms to EN 175301-803**

Specifications

ELECTRICAL

Max. Current: 16.0A
Contact Resistance: ≤15milliohms max.
Insulation Resistance:
100Megohms min.
Max. Conductor: 1.50mm² / 16AWG

MECHANICAL

Insertion and Withdrawal Force:
2+GND ≤ 60N

CERTIFICATION

UL recognized, *cURus* marked, file E218123 (product available upon request or specific part number)

PHYSICAL

Durability: min. 50 cycles
Contact Area: Silver
Solder Tail Area: Silver
Operating Temperature with:
Nitrile Rubber (NBR) Gasket:
-40° +90°C
Silicone -40° +125°C
Cable Diameter Range:
PG9-M16 6.00-8.00mm
PG11-G1/2"-M20 8.00-10.00mm
Live Contact Distance: 18.00mm

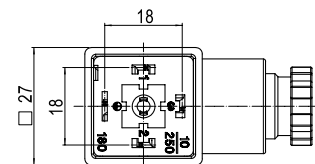
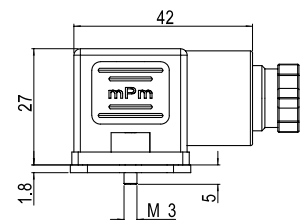
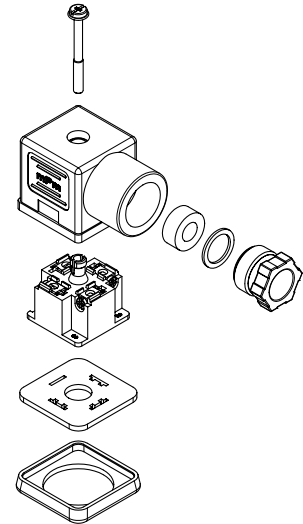
ENVIRONMENTAL

IP65 sealing protection
(IP67 available on request)

mPm® Field Attachable DIN Valve Connectors

121023 Form A, Intern. Thread,
Non-Electronic

121064 Form A, Intern. Thread,
Electronic



Note: UL listed part number identified by adding suffix SA at the end of the nomenclature in conjunction with UL material (W for black and T for transparent) e.g. C28200W2RSNSA

Build your connector using the intelligent part number system and contact your local sales representative to identify the proper EDP number to use in your purchase orders

Non Electronic

C18 2 09 N 2 1

SERIES

C18=Internal Thread Form A

POLES

2=2Poles+Ground **3**=3Poles+Ground

THREAD

09=PG9 **11**=PG11 **M6**=M16x1,5 **M0**=M20x1,5
12=1/2" GAS **13**=1/2 NPTF

COVER COLOR

N=Black Cover **G**=Gray Cover
W=V0 Black Cover (only with UL listed connectors)

GROUND POSITION

2=H12 **3**=H3 **6**=H6 **9**=H9

SCREW & GASKET

1=Profile NBR Gasket & Screw, **2**=Flat NBR Gasket & Screw
3=White Silicone Profile Gasket & Screw, **4**=White Silicone Flat Gasket & Screw

Electronic

S18 2 09 T C4 2 1

SERIES

S18=Internal Thread Form A

POLES

2=2Poles+Ground

THREAD

09=PG9 **11**=PG11 **M6**=M16x1,5 **M0**=M20x1,5
12=1/2" GAS **13**=1/2 NPTF

COVER COLOR

N=Black Cover **G**=Gray Cover **T**=Transparent

CIRCUIT

see page 33

VOLTAGE & LED COLOR

see page 33

SCREW & GASKET

1=Profile NBR Gasket & Screw, **2**=Flat NBR Gasket & Screw
3=White Silicone Profile Gasket & Screw, **4**=White Silicone Flat Gasket & Screw

Packaging Type	Poles	Circuit	Voltage	LED Color	Engineering No.	Standard Order No.
Bulk Pack	2+Ground	NO	250V AC/300V DC	NO	C18209N21	121023-0238
		NO	250V AC/300V DC	NO	C18211N21	121023-0278
		NO	250V AC/300V DC	NO	C18309N21	121023-0341
		NO	250V AC/300V DC	NO	C18311N21	121023-0377
	3+Ground	C4	24V AC/DC	yellow	S18209TC4H1	121064-0600
		C4	230V AC/DC	yellow	S18209TC4M1	121064-0603
		C4	24V AC/DC	yellow	S18211TC4H1	121064-0685
		C4	230V AC/DC	yellow	S18211TC4M1	121064-0687

**Standard internal thread DIN valve connector, IP65 rated.
Available with different thread style and gaskets.
Conforms to EN 175301-803**

Specifications

ELECTRICAL

Max. Current: 16.0A
Contact Resistance: ≤15milliohms max.
Insulation Resistance:
100Megohms min.
Max. Conductor: 1.50mm² / 16AWG

MECHANICAL

Insertion and Withdrawal Force:
2+GND ≤ 60N

CERTIFICATION

UL recognized, *cURus* marked, file E218123 (product available upon request or specific part number)

PHYSICAL

Durability: min. 50 cycles
Contact Area: Silver
Solder Tail Area: Silver
Operating Temperature with:
Nitrile Rubber (NBR) Gasket: -40° +90°C
Silicone Gasket: -40° +125°C
Cable Diameter Range:
PG9-M16 6.00-8.00mm
PG11-G1/2"-M20 8.00-10.00mm
Live Contact Distance: 18.00mm

ENVIRONMENTAL

IP65 sealing protection
(IP67 available on request)

mPm® Field Attachable DIN Valve Connectors

121023 Form A, Intern. Thread,
High Space Non-Electronic

Non Electronic

C81 2 09 N 2 1

SERIES ————
C81=Internal Thread Form A High Space

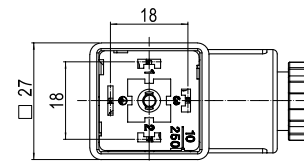
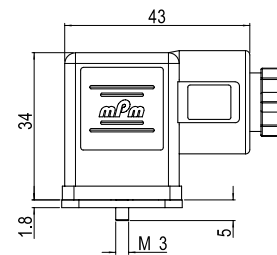
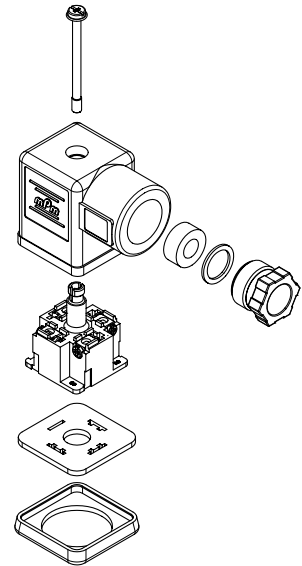
POLES ————
2=2Poles+Ground **3**=3Poles+Ground

THREAD ————
09=PG9 **11**=PG11 **M6**=M16x1,5 **M0**=M20x1,5
12=1/2" GAS

COVER COLOR ————
N=Black Cover **G**=Gray Cover
W=V0 Black Cover (only with UL listed connectors)

GROUND POSITION ————
2=H12 **3**=H3 **6**=H6 **9**=H9

SCREW & GASKET ————
1=Profile NBR Gasket & Screw, **2**=Flat NBR Gasket & Screw
3=White Silicone Profile Gasket & Screw, **4**=White Silicone Flat Gasket & Screw



Note: UL listed part number identified by adding suffix SA at the end of the nomenclature in conjunction with UL material (W for black and T for transparent) e.g. C28200W2RSNSA

Build your connector using the intelligent part number system and contact your local sales representative to identify the proper EDP number to use in your purchase orders

Packaging Type		Poles	Circuit	Voltage	LED Color	Engineering No.	Standard Order No.
Bulk Pack	Mounted	2+Ground	NO	250V AC/300V DC	NO	C81209N21	121023-0612
			NO	250V AC/300V DC	NO	C81211N21	121023-0620
		3+Ground	NO	250V AC/300V DC	NO	C81309N21	121023-0629
			NO	250V AC/300V DC	NO	C81311N21	121023-0633

Standard internal thread DIN valve connector, IP65 rated.
Available with different thread style, gaskets and circuitry.

Specifications

ELECTRICAL

Max. Current: 16.0A
Contact Resistance: ≤15milliohms max.
Insulation Resistance:
100Megohms min.
Max. Conductor: 1.50mm² / 16AWG

MECHANICAL

Insertion and Withdrawal Force:
2+GND ≤ 60N

CERTIFICATION

UL recognized, cURus marked, file E218123 (product available upon request or specific part number)

PHYSICAL

Durability: min. 50 cycles
Contact Area: Silver
Solder Tail Area: Silver
Operating Temperature with:
Nitrile Rubber (NBR) Gasket: -40° +90°C
Silicone Gasket: -40° +125°C
Cable Diameter Range:
PG7-M12 4.00-6.00mm
PG9-M16 6.00-8.00mm
M20 8.00-10.00mm
Live Contact Distance: 11.00mm

ENVIRONMENTAL

IP65 sealing protection
(IP67 available on request)

Non Electronic

C12 2 07 N 2 1

SERIES C12=Internal Thread Form Industrial
POLES 2=2Poles+Ground
THREAD 07=PG7 09=PG9 M2=M12x1,5 M6=M16x1,5
M0=M20x1,5 13=1/2" NPTF
COVER COLOR N=Black Cover G=Gray Cover
W=V0 Black Cover (only with UL listed connectors)
GROUND POSITION 2=H12 6=H6
SCREW & GASKET 1=Profile NBR Gasket & Screw, 2=Flat NBR Gasket & Screw
3=White Silicone Profile Gasket & Screw, 4=White Silicone Flat Gasket & Screw

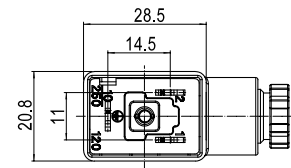
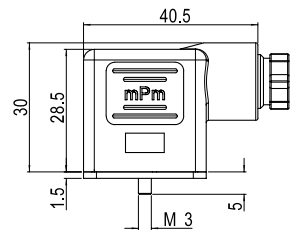
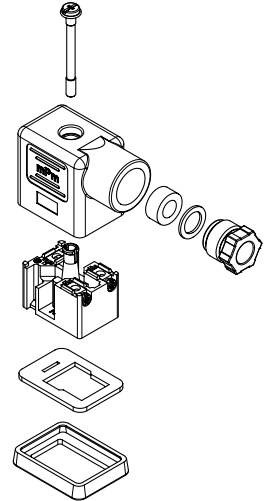
Electronic

S02 2 07 T C4 2 1

SERIES S02=Internal Thread Form Industrial
POLES 2=2Poles+Ground
THREAD 07=PG7 09=PG9 M2=M12x1,5 M6=M16x1,5
M0=M20x1,5 13=1/2" NPTF
COVER COLOR N=Black Cover G=Gray Cover T=Transparent
CIRCUIT see page 33
VOLTAGE & LED COLOR see page 33
SCREW & GASKET 1=Profile NBR Gasket & Screw, 2=Flat NBR Gasket & Screw
3=White Silicone Profile Gasket & Screw, 4=White Silicone Flat Gasket & Screw

mPm® Field Attachable DIN Valve Connectors

121023 Form Industrial,
Intern. Thread, Non-Electronic
121064 Form Industrial,
Intern. Thread, Electronic



Note: UL listed part number identified by adding suffix SA at the end of the nomenclature in conjunction with UL material (W for black and T for transparent) e.g. C28200W2RSNSA

Build your connector using the intelligent part number system and contact your local sales representative to identify the proper EDP number to use in your purchase orders

Packaging Type		Poles	Circuit	Voltage	LED Color	Engineering No.	Standard Order No.
Bulk Pack	Mounted	2+Ground	NO	250V AC/300V DC	NO	C12207N21	121023-0105
			NO	250V AC/300V DC	NO	C12209N21	121023-0122
			C4	24V AC/DC	yellow	S02209TC4H1	121064-0120
			C4	230V AC/DC	yellow	S02209TC4M1	121064-0124

**Standard internal thread DIN valve connector, IP65 rated.
Available with different thread style, gaskets and circuitry.
Conforms to EN 175301-803.**

Specifications

ELECTRICAL

Max. Current: 16.0A
Contact Resistance: ≤15milliohms max.
Insulation Resistance:
100Megohms min.
Max. Conductor: 1.50mm² / 16AWG

MECHANICAL

Insertion and Withdrawal Force:
2+GND ≤ 60N

CERTIFICATION

UL recognized, *cURus* marked, file E218123 (product available upon request or specific part number)

PHYSICAL

Durability: min. 50 cycles
Contact Area: Silver
Solder Tail Area: Silver
Operating Temperature with:
Nitrile Rubber (NBR) Gasket:
-40° +90°C
Silicone Gasket: -40° +125°C
Cable Diameter Range:
PG7-M12 4.00-6.00mm
PG9-M16 6.00-8.00mm
Live Contact Distance: 10.00mm

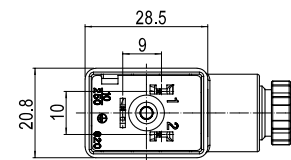
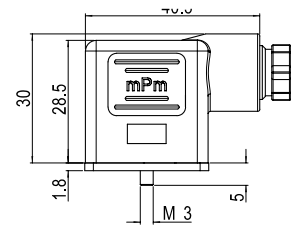
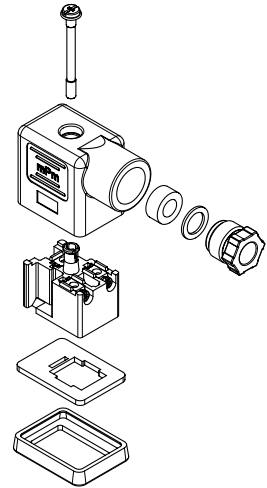
ENVIRONMENTAL

IP65 sealing protection
(IP67 available on request)

mPm® Field Attachable DIN Valve Connectors

121023 Form B, Intern. Thread,
Non-Electronic

121064 Form B, Intern. Thread,
Electronic



Non Electronic

C62 2 07 N 2 1

SERIES — C62=Internal Thread Form B
POLES — 2=2Poles+Ground
THREAD — 07=PG7 09=PG9 M2=M12x1,5 M6=M16x1,5
COVER COLOR — N=Black Cover G=Gray Cover W=V0 Black Cover (only with UL listed connectors)
GROUND POSITION — 2=H12 6=H6
SCREW & GASKET — 1=Profile NBR Gasket & Screw, 2=Flat NBR Gasket & Screw 3=White Silicone Profile Gasket & Screw, 4=White Silicone Flat Gasket & Screw

Electronic

S62 2 07 T C4 2 1

SERIES — S62=Internal Thread Form B
POLES — 2=2Poles+Ground
THREAD — 07=PG7 09=PG9 M2=M12x1,5 M6=M16x1,5
COVER COLOR — N=Black Cover G=Gray Cover T=Transparent
CIRCUIT — see page 33
VOLTAGE & LED COLOR — see page 33
SCREW & GASKET — 1=Profile NBR Gasket & Screw, 2=Flat NBR Gasket & Screw 3=White Silicone Profile Gasket & Screw, 4=White Silicone Flat Gasket & Screw

Note: UL listed part number identified by adding suffix SA at the end of the nomenclature in conjunction with UL material (W for black and T for transparent) e.g. C28200W2RSNSA

Build your connector using the intelligent part number system and contact your local sales representative to identify the proper EDP number to use in your purchase orders

Packaging Type		Poles	Circuit	Voltage	LED Color	Engineering No.	Standard Order No.
Bulk Pack	Mounted	2+Ground	NO	250V AC/300V DC	NO	C62207N21	121023-0569
			NO	250V AC/300V DC	NO	C62209N21	121023-0571
			C4	24V AC/DC	yellow	S62209TC4H1	121064-1239
			C4	230V AC/DC	yellow	S62209TC4M1	121064-1241

Standard internal thread DIN valve connector, IP65 rated. Available with different thread style, gaskets and circuitry. Conforms to EN 175301-803.

Specifications

ELECTRICAL

Max. Current: 10.0A
 Contact Resistance: ≤15milliohms max.
 Insulation Resistance:
 100Megohms min.
 Max. Conductor: 0.75mm² / 18AWG

MECHANICAL

Insertion and Withdrawal Force:
 2+GND ≤ 60N

CERTIFICATION

UL recognized, *cURus* marked, file E218123 (product available upon request or specific part number)

PHYSICAL

Durability: min. 50 cycles
 Contact Area: Silver
 Solder Tail Area: Silver
 Operating Temperature with:
 Nitrile Rubber (NBR) Gasket:
 -40° +90°C
 Silicone Gasket: -40° +125°C
 Cable Diameter Range:
 PG7-M12 4.00-6.00mm
 Live Contact Distance: 8.00mm

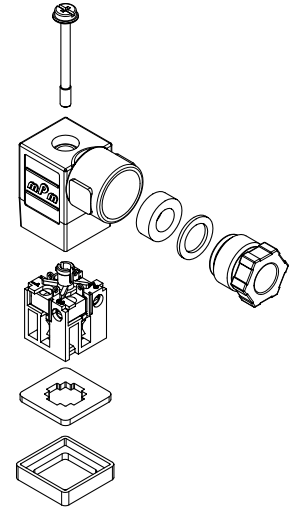
ENVIRONMENTAL

IP65 sealing protection
 (IP67 available on request)

mPm® Field Attachable DIN Valve Connectors

121023 Form C, Intern. Thread,
Non-Electronic

121064 Form C, Intern. Thread,
Electronic

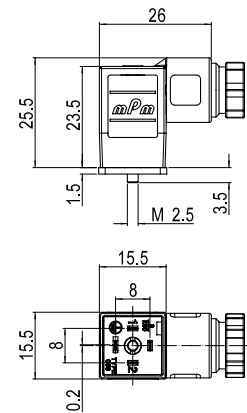


Non Electronic C05 2 07 N 2 1

SERIES C05=Internal Thread Form C
POLES 2=2Poles+Ground 3=3Poles+Ground
THREAD 07=PG7 M2=M12x1,5
COVER COLOR N=Black Cover G=Gray Cover W=V0 Black Cover (only with UL listed connectors)
GROUND POSITION 2=H12 3=H3 6=H6 9=H9
SCREW & GASKET 1=Profile NBR Gasket & Screw, 2=Flat NBR Gasket & Screw 3=White Silicone Profile Gasket & Screw, 4=White Silicone Flat Gasket & Screw

Electronic S05 2 07 T C4 2 1

SERIES S05=Internal Thread Form C
POLES 2=2Poles+Ground
THREAD 07=PG7 M2=M12x1,5
COVER COLOR N=Black Cover G=Gray Cover T=Transparent
CIRCUIT see page 33
VOLTAGE & LED COLOR see page 33
SCREW & GASKET 1=Profile NBR Gasket & Screw, 2=Flat NBR Gasket & Screw 3=White Silicone Profile Gasket & Screw, 4=White Silicone Flat Gasket & Screw



Note: UL listed part number identified by adding suffix SA at the end of the nomenclature in conjunction with UL material (W for black and T for transparent) e.g. C28200W2RSNSA

Build your connector using the intelligent part number system and contact your local sales representative to identify the proper EDP number to use in your purchase orders

Packaging Type	Poles	Circuit	Voltage	LED Color	Engineering No.	Standard Order No.
Bulk Pack	Mounted	2+Ground	NO	250V AC/300V DC	NO	C05207N21 121023-0083
		3+Ground	NO	250V AC/300V DC	NO	C05307N21 121023-0684
	2+Ground	C4	24V AC/DC	yellow	S05207TC4H1 121064-1253	
		C4	230V AC/DC	yellow	S05207TC4M1 121064-1446	

**Standard internal thread DIN valve connector, IP65 rated.
Available with different thread style, gaskets and circuitry.**

Specifications

ELECTRICAL

Max. Current: 10.0A
Contact Resistance: ≤15milliohms max.
Insulation Resistance:
100Megohms min.
Max. Conductor: 0.75mm² / 18AWG

MECHANICAL

Insertion and Withdrawal Force:
2+GND ≤ 60N

CERTIFICATION

UL recognized, *cURus* marked, file E218123 (product available upon request or specific part number)

PHYSICAL

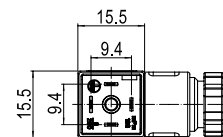
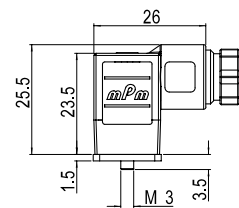
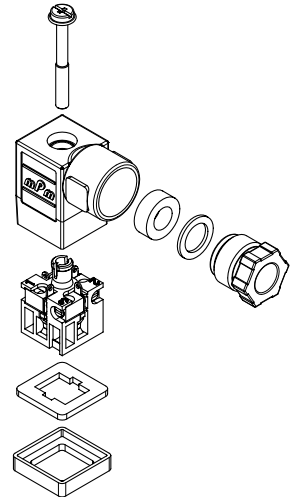
Durability: min. 50 cycles
Contact Area: Silver
Solder Tail Area: Silver
Operating Temperature with:
Nitrile Rubber (NBR) Gasket:
-40° +90°C
Silicone Gasket: -40° +125°C
Cable Diameter Range:
PG7-M12 4.00-6.00mm
Live Contact Distance: 9.40mm

ENVIRONMENTAL

IP65 sealing protection
(IP67 available on request)

mPm® Field Attachable DIN Valve Connectors

121023 Micro Form,
Intern. Thread, Non-Electronic
121064 Micro Form,
Intern. Thread, Electronic



Non Electronic

C19 2 07 N 2 1

SERIES — C19=Internal Thread Form Micro
POLES — 2=2Poles+Ground 3=3Poles+Ground
THREAD — 07=PG7 M2=M12x1,5
COVER COLOR — N=Black Cover G=Gray Cover W=V0 Black Cover (only with UL listed connectors)
GROUND POSITION — 2=H12 3=H3 6=H6 9=H9
SCREW & GASKET — 1=Profile NBR Gasket & Screw, 2=Flat NBR Gasket & Screw 3=White Silicone Profile Gasket & Screw, 4=White Silicone Flat Gasket & Screw

Electronic

S19 2 07 T C4 2 1

SERIES — S19=Internal Thread Form Micro
POLES — 2=2Poles+Ground
THREAD — 07=PG7 M2=M12x1,5
COVER COLOR — N=Black Cover G=Gray Cover T=Transparent
CIRCUIT — see page 33
VOLTAGE & LED COLOR — see page 33
SCREW & GASKET — 1=Profile NBR Gasket & Screw, 2=Flat NBR Gasket & Screw 3=White Silicone Profile Gasket & Screw, 4=White Silicone Flat Gasket & Screw

Note: UL listed part number identified by adding suffix SA at the end of the nomenclature in conjunction with UL material (W for black and T for transparent) e.g. C28200W2RSNSA

Build your connector using the intelligent part number system and contact your local sales representative to identify the proper EDP number to use in your purchase orders

Packaging Type	Poles	Circuit	Voltage	LED Color	Engineering No.	Standard Order No.
Bulk Pack	Mounted	2+Ground	NO	250V AC/300V DC	NO	C19207N21 121023-0433
		3+Ground	NO	250V AC/300V DC	NO	C19307N21 121023-0464
	2+Ground	C4	24V AC/DC	yellow	S19207TC4H1 121064-0871	
		C4	230V AC/DC	yellow	S19207TC4M1 121064-1342	

**Standard internal thread DIN valve connector, IP65 rated.
Available with different thread style, gaskets and circuitry.
Conforms to EN 175301-803**

Specifications

ELECTRICAL

Max. Current: 16.0A
Contact Resistance: ≤15milliohms max.
Insulation Resistance:
100Megohms min.
Max. Conductor: 1.50mm² / 16AWG

MECHANICAL

Insertion and Withdrawal Force:
2+GND ≤ 60N

CERTIFICATION

UL recognized, *cURus* marked, file E218123 (product available upon request or specific part number)

PHYSICAL

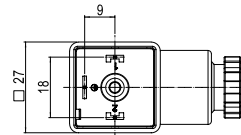
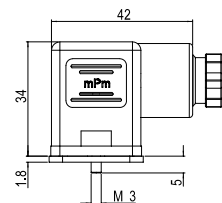
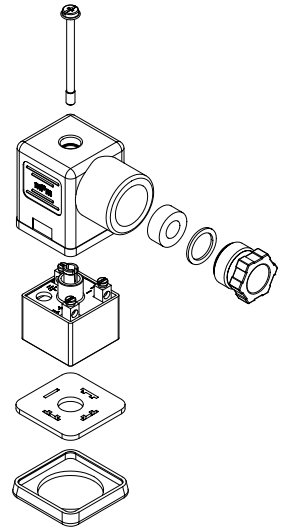
Durability: min. 50 cycles
Contact Area: Silver
Operating Temperature with:
Nitrile Rubber (NBR) Gasket: -40° +90°C
Silicone Gasket: -40° +125°C
Cable Diameter Range:
PG9-M12 6.00-8.00mm
PG11 8.00-10.00mm
Live Contact Distance: 18.00mm

ENVIRONMENTAL

IP65 sealing protection
(IP67 available on request)

mPm® Field Attachable DIN Valve Connectors

121064 Form A, Intern. Thread,
Electronic



Electronic

S53 2 11 T C4 2 1

SERIES

S53=Internal Thread Form A

POLES

2=2Poles+Ground

THREAD

09=PG9 11=PG11 M6=M16x1,5

COVER COLOR

N=Black Cover G=Gray Cover T=Transparent
W=V0 Black Cover (only with UL listed Conn)

CIRCUIT

see page 33

VOLTAGE & LED COLOR

see page 33

SCREW & GASKET

1=Profile NBR Gasket & Screw, 2=Flat NBR Gasket & Screw
3=White Silicone Profile Gasket & Screw, 4=White Silicone Flat Gasket & Screw

Note: UL listed part number identified by adding suffix SA at the end of the nomenclature in conjunction with UL material (W for black and T for transparent) e.g. C28200W2RSNSA

Build your connector using the intelligent part number system and contact your local sales representative to identify the proper EDP number to use in your purchase orders

Packaging Type		Poles	Circuit	Voltage	LED Color	Engineering No.	Standard Order No.
Bulk Pack	Mounted	2+Ground	R0	24V AC	NO	S53209NR021	121064-0896
			R0	230V AC	NO	S53209NR051	121064-0900
			R2	24V AC	yellow	S53209TR2H1	121064-0953
			R2	230V AC	yellow	S53209TR2M1	121064-0955

Standard internal thread DIN valve connector, IP65 rated.
Available with different thread style, gaskets and circuitry.

Specifications

ELECTRICAL

Max. Current: 16.0A
Contact Resistance: ≤15milliohms max.
Insulation Resistance:
100Megohms min.
Max. Conductor: 1.50mm² / 16AWG

MECHANICAL

Insertion and Withdrawal Force:
2+GND ≤ 60N

CERTIFICATION

UL recognized, *cURus* marked, file E218123 (product available upon request or specific part number)

PHYSICAL

Durability: min. 50 cycles
Contact Area: Silver
Operating Temperature with:
Nitrile Rubber (NBR) Gasket:
-40° +90°C
Silicone Gasket: -40° +125°C
Cable Diameter Range:
PG7-M12 4.00-6.00mm
PG9-M16 6.00-8.00mm
Live Contact Distance: 11.00mm

ENVIRONMENTAL

IP65 sealing protection
(IP67 available on request)

Electronic

S54 2 09 T C4 2 1

SERIES

S54=Internal Thread Form Industrial

POLES

2=2Poles+Ground

THREAD

07=PG7 **09**=PG9 **M2**=M12x1,5 **M6**=M16x1,5

COVER COLOR

N=Black Cover **G**=Gray Cover **T**=Transparent
W=V0 Black Cover (only with UL listed Conn)

CIRCUIT

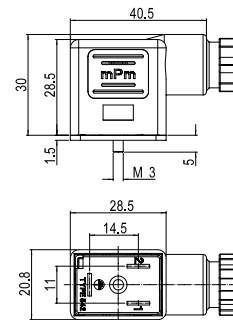
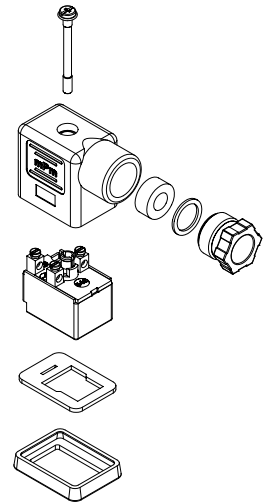
see page 33

VOLTAGE & LED COLOR

see page 33

SCREW & GASKET

1=Profile NBR Gasket & Screw, **2**=Flat NBR Gasket & Screw
3=White Silicone Profile Gasket & Screw, **4**=White Silicone Flat Gasket & Screw



Note: UL listed part number identified by adding suffix SA at the end of the nomenclature in conjunction with UL material (W for black and T for transparent) e.g. C28200W2RSNSA

Build your connector using the intelligent part number system and contact your local sales representative to identify the proper EDP number to use in your purchase orders

Packaging Type	Poles	Circuit	Voltage	LED Color	Engineering No.	Standard Order No.	
Bulk Pack	Mounted	2+Ground	R0	24V AC	NO	S54209NR021	121064-1036
			R0	230V AC	NO	S54209NR051	121064-1038
			R2	24V AC	yellow	S54209TR2H1	121064-1083
			R2	230V AC	yellow	S54209TR2M1	121064-1810

Standard internal thread DIN valve connector, IP65 rated.
Available with different thread style, gaskets and circuitry.
Conforms to EN 175301-803

Specifications

ELECTRICAL

Max. Current: 16.0A
Contact Resistance: ≤15milliohms max.
Insulation Resistance:
100Megohms min.
Max. Conductor: 1.50mm² / 16AWG

MECHANICAL

Insertion and Withdrawal Force:
2+GND ≤ 60N

CERTIFICATION

UL recognized, *cURus* marked, file E218123 (product available upon request or specific part number)

PHYSICAL

Durability: min. 50 cycles
Contact Area: Silver
Operating Temperature with:
Nitrile Rubber (NBR) Gasket: -40° +90°C
Silicone Gasket: -40° +125°C
Cable Diameter Range:
PG9-M16 6.00-8.00mm
PG11-M20 8.00-10.00mm
Live Contact Distance: 18.00mm

ENVIRONMENTAL

IP65 sealing protection
(IP67 available on request)

Electronic

S11 2 09 T C4 2 1

SERIES

S11=Internal Thread Form A

POLES

2=2Poles+Ground 3=3Poles+Ground

THREAD

09=PG7 11=PG7 M6=M16x1,5

COVER COLOR

N=Black Cover G=Gray Cover T=Transparent
W=V0 Black Cover (only with UL listed Conn)

CIRCUIT

see page 33

VOLTAGE & LED COLOR

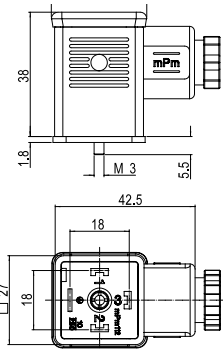
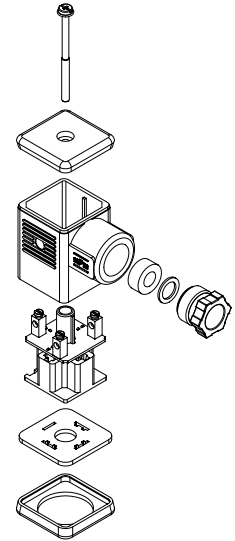
see page 33

SCREW & GASKET

1=Profile NBR Gasket & Screw, 2=Flat NBR Gasket & Screw
3=White Silicone Profile Gasket & Screw, 4=White Silicone Flat Gasket & Screw

mPm® Field Attachable DIN Valve Connectors

121064 Form A, Intern. Thread,
Electronic



Note: UL listed part number identified by adding suffix SA at the end of the nomenclature in conjunction with UL material (W for black and T for transparent) e.g. C28200W2RSNSA

Build your connector using the intelligent part number system and contact your local sales representative to identify the proper EDP number to use in your purchase orders

Packaging Type		Poles	Circuit	Voltage	LED Color	Engineering No.	Standard Order No.
Bulk Pack	Mounted	2+Ground	R0	24V AC	NO	S11209NR021	121064-0248
			R0	230V AC	NO	S11209NR051	121064-0250
			R2	24V AC	yellow	S11209NR2H1	121064-1811
			R2	230V AC	yellow	S11209NR2M1	121064-1692

The background of the top section is a photograph of an industrial manufacturing environment, featuring yellow robotic arms and complex machinery.

PRE-WIRED SOLENOID CONNECTORS CONFORM TO INDUSTRY STANDARD EN 175301-803

When space and time are in short supply, mPm[®] DIN valve overmolded cordsets provide the perfect solution which also conform to Industry Standard EN 175301-803 (formerly DIN 43650). This is the standard for a series of electrical connectors, which are commonly used with solenoid valves - especially those used on hydraulic and pneumatic valves.



mPm[®] **Molded Cable DIN Valve** **Connectors**

Conform to EN 175301-803 (ex DIN 43650)

Our connectors with integrated cable are suitable for use with most types of solenoid valves. They offer a fast and efficient method of connection resulting in greatly reduced installation time and cost and it is always preferred in rugged applications. They can be supplied with or without LED indicators and surge suppression circuit. A diagram is printed on each electronic connector to allow an easy user identification.



**DIN Valve connectors with molded cable, IP65 rated.
IP67 version available on request.
Conforms to EN 175301-803.**

Specifications

ELECTRICAL

Current: max. 5.0A
Contact Resistance: ≤15milliohms max.
Insulation Resistance:
100Megohms min.

MECHANICAL

Insertion and Withdrawal Force:
2+GND ≤ 60N

CERTIFICATION

UL recognized, *cURus* marked, file E218123 (product available upon request or specific part number)

PHYSICAL

Durability: min. 50 cycles
Contact Area: Silver
Operating Temperature with:
Nitrile Rubber (NBR) Gasket:
-40° +90°C
Silicone Gasket: -40° +125°C
Live Contact Distance: 18.00mm

ENVIRONMENTAL

IP65 sealing protection
(IP67 available on request)

Non Electronic

E15 2 N2 N 300 1 1

- SERIES** → E15=Overmolded Cordset Form A
- POLES** → 2=2Poles+Ground 3=3Poles+Ground
- CABLE TYPE** → see cable options on technical features page 32
- HEAD COLOR** → N=Black G=Gray A=UL Black (only with UL listed cable)
- CABLE LENGTH** → e.g. 050=50cm 300=3.0m 10K=10.0m
- GROUND LOCATION** → 1=Double Ground H6/H12 2=H12 6=H6
- SCREW & GASKET** → 1=Profile NBR Gasket & Screw, 2=Flat NBR Gasket & Screw
3=White Silicone Profile Gasket & Screw, 4=White Silicone Flat Gasket & Screw
P=NBR Integrated Gasket Assembled + IP67 Screw

Electronic

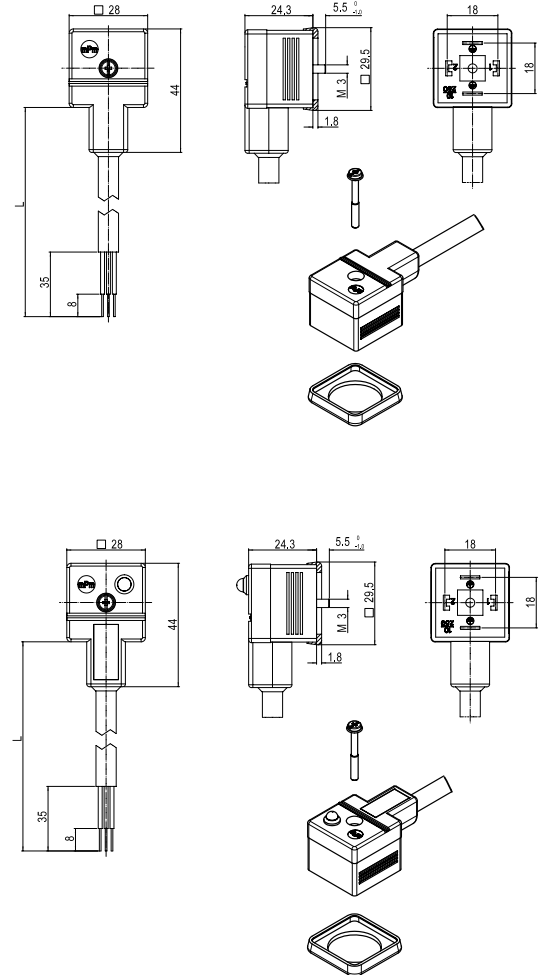
E45 2 N2 N 300 1 1 C4 2

- SERIES** → E45=Overmolded Cordset Form A
- POLES** → 2=2Poles+Ground
- CABLE TYPE** → see cable options on technical features page 32
- HEAD COLOR** → N=Black G=Gray A=UL Black (only with UL listed cable)
- CABLE LENGTH** → e.g. 050=50cm 300=3.0m 10K=10.0m
- GROUND LOCATION** → 1=Double Ground H6/H12
- SCREW & GASKET** → 1=Profile NBR Gasket & Screw, 2=Flat NBR Gasket & Screw
3=White Silicone Profile Gasket & Screw, 4=White Silicone Flat Gasket & Screw
P=NBR Integrated Gasket Assembled + IP67 Screw
- CIRCUIT** → see page 33
- VOLTAGE & LED COLOR** → see page 33

mPm® Molded Cable DIN Valve Connectors

121040 Form A, Overmolded
Non-Electronic

121050 Form A, Overmolded
Electronic



Note: UL listed part number identified by combining UL listed cable with UL overmolding material
e.g. E152A3A30011

Build your connector using the intelligent part number system and contact your local sales representative to identify the proper EDP number to use in your purchase orders

Ground Position	Poles	Circuit	Voltage	LED Color	Engineering No.	Standard Order No.
H6/H12	2+Ground	NO	250V	NO	E152N3N10011	121040-0140
H12	3+Ground	NO	250V	NO	E153N3N10021	121040-0210
H6	3+Ground	NO	250V	NO	E153N3N10061	121040-0212
H6/H12	2+Ground	C4	24V AC/DC	yellow	E452N3N10011C4H	121050-0554
H6/H12		C4	230V AC/DC	yellow	E452N3N10011C4M	121050-1867

**DIN Valve connectors with molded cable, IP65 rated.
IP67 version available on request.**

Specifications

ELECTRICAL

Current: max. 5.0A
Contact Resistance: ≤15milliohms max.
Insulation Resistance:
100Megohms min.

MECHANICAL

Insertion and Withdrawal Force:
2+GND ≤ 60N

CERTIFICATION

UL recognized, *cURus* marked, file E218123 (product available upon request or specific part number)

PHYSICAL

Durability: min. 50 cycles
Contact Area: Silver
Operating Temperature with:
Nitrile Rubber (NBR) Gasket:
-40° +90°C
Silicone Gasket: -40° +125°C
Live Contact Distance: 11.00mm

ENVIRONMENTAL

IP65 sealing protection
(IP67 available on request)

mPm® Molded Cable DIN Valve Connectors

121040 Form Industrial,
Overmolded, Non-Electronic
121050 Form Industrial,
Overmolded, Electronic

Non Electronic

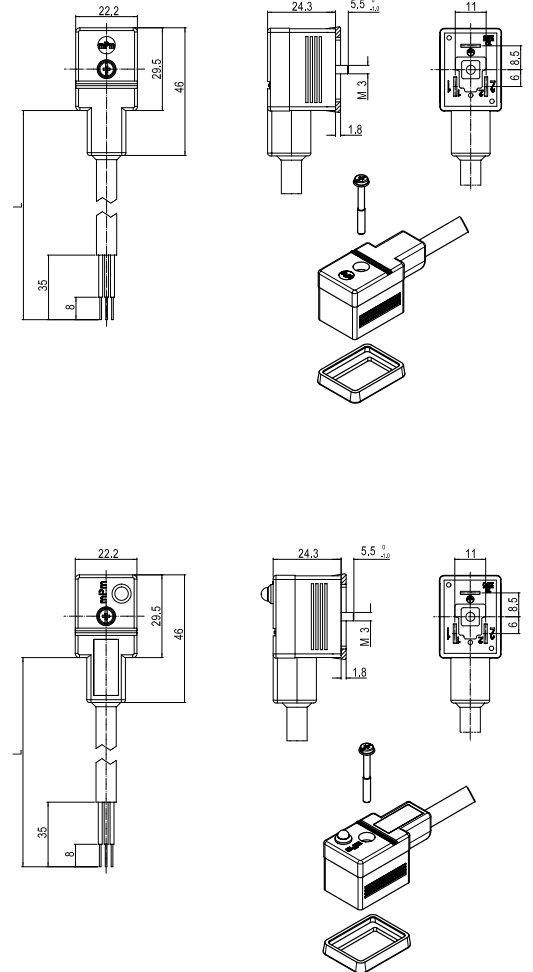
E16 2 N2 N 300 2 1

SERIES — E16=Overmolded Cordset Form Industrial
POLES — 2=2Poles+Ground
CABLE TYPE — see cable options on technical features page 32
HEAD COLOR — N=Black G=Gray A=UL Black (only with UL listed cable)
CABLE LENGTH — e.g. 050=50cm 300=3.0m 10K=10.0m
GROUND LOCATION — 2=H12 6=H6
SCREW & GASKET — 1=Profile NBR Gasket & Screw, 2=Flat NBR Gasket & Screw
3=White Silicone Profile Gasket & Screw, 4=White Silicone Flat Gasket & Screw
P=NBR Integrated Gasket Assembled + IP67 Screw

Electronic

E46 2 N2 N 300 2 1 C4 2

SERIES — E46=Overmolded Cordset Form Industrial
POLES — 2=2Poles+Ground
CABLE TYPE — see cable options on technical features page 32
HEAD COLOR — N=Black G=Gray A=UL Black (only with UL listed cable)
CABLE LENGTH — e.g. 050=50cm 300=3.0m 10K=10.0m
GROUND LOCATION — 2=H12 6=H6
SCREW & GASKET — 1=Profile NBR Gasket & Screw, 2=Flat NBR Gasket & Screw
3=White Silicone Profile Gasket & Screw, 4=White Silicone Flat Gasket & Screw
P=NBR Integrated Gasket Assembled + IP67 Screw
CIRCUIT — see page 33
VOLTAGE & LED COLOR — see page 33



Note: UL listed part number identified by combining UL listed cable with UL overmolding material
e.g. E152A3A30011

Build your connector using the intelligent part number system and contact your local sales representative to identify the proper EDP number to use in your purchase orders

Ground Position	Poles	Circuit	Voltage	LED Color	Engineering No.	Standard Order No.
H12	2+Ground	NO	250V	NO	E162N3N10021	121040-0295
H6		NO	250V	NO	E162N3N10061	121040-0297
H12		C4	24V AC/DC	yellow	E462N3N10021C4H	121050-1097
H6		C4	24V AC/DC	yellow	E462N3N10061C4H	121050-1108
H12		C4	230V AC/DC	yellow	E462N3N10021C4M	121050-3473
H6		C4	230V AC/DC	yellow	E462N3N10061C4M	121050-3474

**DIN Valve connectors with molded cable, IP65 rated.
IP67 version available on request.
Conforms to EN 175301-803.**

Specifications

ELECTRICAL

Current: max. 5.0A
Contact Resistance: ≤15milliohms max.
Insulation Resistance:
100Megohms min.

MECHANICAL

Insertion and Withdrawal Force:
2+GND ≤ 60N

CERTIFICATION

UL recognized, *cURus* marked, file E218123 (product available upon request or specific part number)

PHYSICAL

Durability: min. 50 cycles
Contact Area: Silver
Operating Temperature with:
Nitrile Rubber (NBR) Gasket:
-40° +90°C
Silicone -40° +125°C
Live Contact Distance: 10.00mm

ENVIRONMENTAL

IP65 sealing protection
(IP67 available on request)

Non Electronic

E07 2 N2 N 300 2 1

SERIES — E07=Overmolded Cordset Form B
POLES — 2=2Poles+Ground
CABLE TYPE — see cable options on technical features page 32
HEAD COLOR — N=Black G=Gray A=UL Black (only with UL listed cable)
CABLE LENGTH — e.g. 050=50cm 300=3.0m 10K=10.0m
GROUND LOCATION — 2=H12 6=H6
SCREW & GASKET — 1=Profile NBR Gasket & Screw, 2=Flat NBR Gasket & Screw
3=White Silicone Profile Gasket & Screw, 4=White Silicone Flat Gasket & Screw
P=NBR Integrated Gasket Assembled + IP67 Screw

Electronic

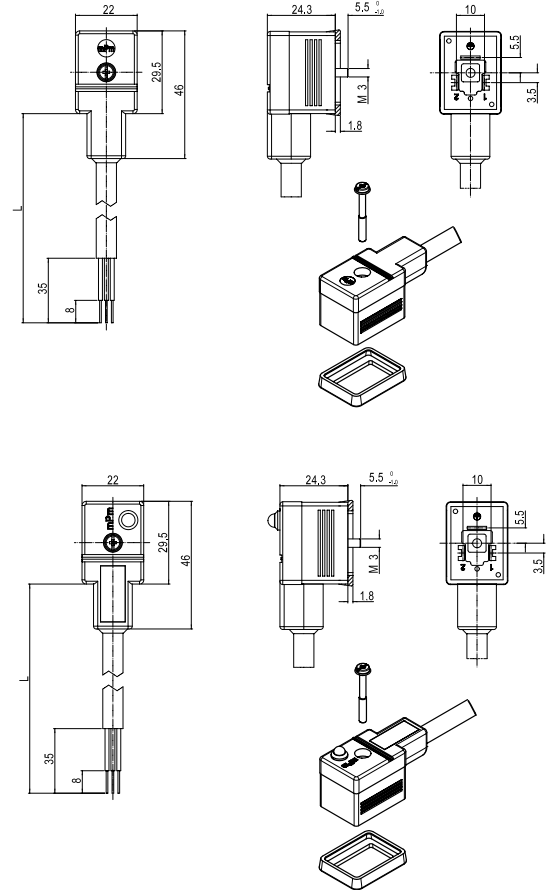
E47 2 N2 N 300 2 1 C4 2

SERIES — E47=Overmolded Cordset Form A
POLES — 2=2Poles+Ground
CABLE TYPE — see cable options on technical features page 32
HEAD COLOR — N=Black G=Gray A=UL Black (only with UL listed cable)
CABLE LENGTH — e.g. 050=50cm 300=3.0m 10K=10.0m
GROUND LOCATION — 2=H12 6=H6
SCREW & GASKET — 1=Profile NBR Gasket & Screw, 2=Flat NBR Gasket & Screw
3=White Silicone Profile Gasket & Screw, 4=White Silicone Flat Gasket & Screw
P=NBR Integrated Gasket Assembled + IP67 Screw
CIRCUIT — see page 33
VOLTAGE & LED COLOR — see page 33

mPm® Molded Cable DIN Valve Connectors

121040 Form B, Overmolded
Non-Electronic

121050 Form B, Overmolded
Electronic



Note: UL listed part number identified by combining UL listed cable with UL overmolding material
e.g. E152A3A30011

Build your connector using the intelligent part number system and contact your local sales representative to identify the proper EDP number to use in your purchase orders

Ground Position	Poles	Circuit	Voltage	LED Color	Engineering No.	Standard Order No.
H12	2+Ground	NO	250V	NO	E072N3N10021	121040-1254
H6		NO	250V	NO	E072N3N10061	121040-1401
H12		C4	24V AC/DC	yellow	E472N3N10021C4H	121050-3475
H6		C4	24V AC/DC	yellow	E472N3N10061C4H	121050-3477
H12		C4	230V AC/DC	yellow	E472N3N10021C4M	121050-3476
H6		C4	230V AC/DC	yellow	E472N3N10061C4M	121050-3478

**DIN Valve connectors with molded cable, IP65 rated.
IP67 version available on request.
Conforms to EN 175301-803.**

Specifications

ELECTRICAL

Current: max. 3.0A
Contact Resistance: ≤15milliohms max.
Insulation Resistance:
100Megohms min.

MECHANICAL

Insertion and Withdrawal Force:
2+GND ≤ 60N

CERTIFICATION

UL recognized, *cURus* marked, file E218123 (product available upon request or specific part number)

PHYSICAL

Durability: min. 50 cycles
Contact Area: Silver
Operating Temperature with:
Nitrile Rubber (NBR) Gasket:
-40° +90°C
Silicone Gasket: -40° +125°C
Live Contact Distance: 8.00mm

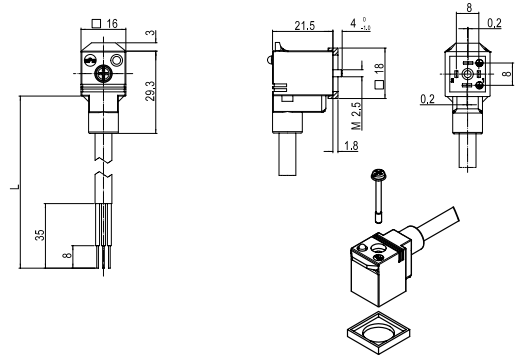
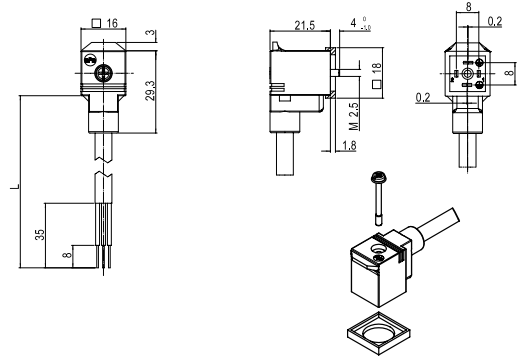
ENVIRONMENTAL

IP65 sealing protection
(IP67 available on request)

mPm® Molded Cable DIN Valve Connectors

121040 Form C, Overmolded
Non-Electronic

121050 Form C, Overmolded
Electronic



Non Electronic

E43 2 N2 N 300 1 1

SERIES ————
E43=Overmolded Cordset Form C

POLES ————
2=2Poles+Ground **3**=3Poles+Ground

CABLE TYPE ————
see cable options on technical features page 32

HEAD COLOR ————
N=Black **G**=Gray **A**=UL Black (only with UL listed cable)

CABLE LENGTH ————
e.g. **050**=50cm **300**=3.0m **10K**=10.0m

GROUND LOCATION ————
1=Double Ground H6/H12 **2**=H12 **6**=H6

SCREW & GASKET ————
1=Profile NBR Gasket & Screw, **2**=Flat NBR Gasket & Screw
3=White Silicone Profile Gasket & Screw, **4**=White Silicone Flat Gasket & Screw
T=Profile NBR Gasket + IP67 Fixing Screw

Electronic

E49 2 N2 N 300 1 1 C4 2

SERIES ————
E49=Overmolded Cordset Form C

POLES ————
2=2Poles+Ground

CABLE TYPE ————
see cable options on technical features page 32

HEAD COLOR ————
N=Black **G**=Gray **A**=UL Black (only with UL listed cable)

CABLE LENGTH ————
e.g. **050**=50cm **300**=3.0m **10K**=10.0m

GROUND LOCATION ————
1=Double Ground H6/H12 **2**=H12 **6**=H6

SCREW & GASKET ————
1=Profile NBR Gasket & Screw, **2**=Flat NBR Gasket & Screw
3=White Silicone Profile Gasket & Screw, **4**=White Silicone Flat Gasket & Screw
T=Profile NBR Gasket + IP67 Fixing Screw

CIRCUIT ————
see page 33

VOLTAGE & LED COLOR ————
see page 33

Note: UL listed part number identified by combining UL listed cable with UL overmolding material
e.g. E152A3A30011

Build your connector using the intelligent part number system and contact your local sales representative to identify the proper EDP number to use in your purchase orders

Ground Position	Poles	Circuit	Voltage	LED Color	Engineering No.	Standard Order No.
H6/H12	2+Ground	NO	250V	NO	E432N2N10011	121040-0491
H12	3+Ground	NO	250V	NO	E433N2N10021	121040-1258
H6		NO	250V	NO	E433N2N10061	121040-0730
H6/H12	2+Ground	C4	24V AC/DC	yellow	E492N2N10011C4H	121050-1466
H6/H12		C4	230V AC/DC	yellow	E492N2N10011C4M	121050-3479

**DIN Valve connectors with molded cable, IP65 rated.
IP67 version available on request.**

mPm® Molded Cable DIN Valve Connectors

121040 Form Micro,
Overmolded, Non-Electronic
121050 Form Micro,
Overmolded, Electronic

Specifications

ELECTRICAL

Current: max. 3.0A
Contact Resistance: ≤15milliohms max.
Insulation Resistance:
100Megohms min.

MECHANICAL

Insertion and Withdrawal Force:
2+GND ≤ 60N

CERTIFICATION

UL recognized, *cURus* marked, file
E218123 (product available upon
request or specific part number)

PHYSICAL

Durability: min. 50 cycles
Contact Area: Silver
Operating Temperature with:
Nitrile Rubber (NBR) Gasket:
-40° +90°C
Silicone Gasket: -40° +125°C
Live Contact Distance: 9.40mm

ENVIRONMENTAL

IP65 sealing protection
(IP67 available on request)

Non Electronic

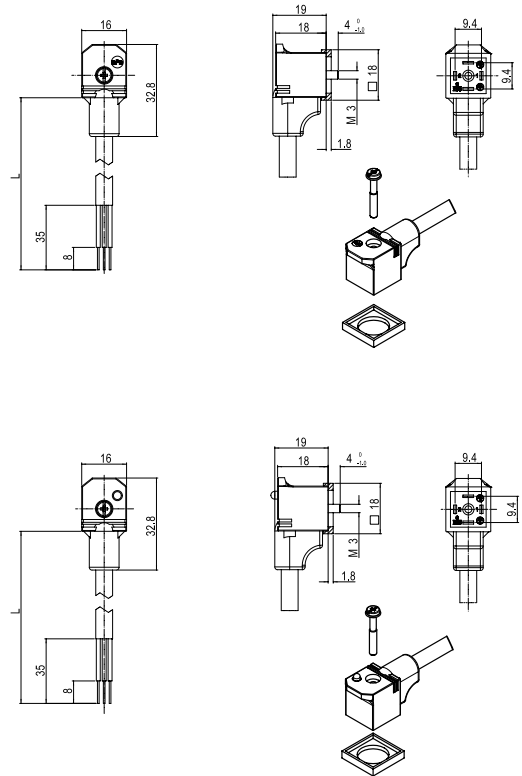
E33 2 N2 N 300 1 1

SERIES →
E33=Overmolded Cordset Form Micro
POLES →
2=2Poles+Ground 3=3Poles+Ground
CABLE TYPE →
see cable options on technical features page 32
HEAD COLOR →
N=Black G=Gray A=UL Black (only with UL listed cable)
CABLE LENGTH →
e.g. 050=50cm 300=3.0m 10K=10.0m
GROUND LOCATION →
1=Double Ground H6/H12 2=H12 6=H6
SCREW & GASKET →
1=Profile NBR Gasket & Screw, 2=Flat NBR Gasket & Screw
3=White Silicone Profile Gasket & Screw, 4=White Silicone Flat Gasket & Screw
T=Profile NBR Gasket + IP67 Fixing Screw

Electronic

E39 2 N2 N 300 1 1 C4 2

SERIES →
E39=Overmolded Cordset Form Micro
POLES →
2=2Poles+Ground
CABLE TYPE →
see cable options on technical features page 32
HEAD COLOR →
N=Black G=Gray A=UL Black (only with UL listed cable)
CABLE LENGTH →
e.g. 050=50cm 300=3.0m 10K=10.0m
GROUND LOCATION →
1=Double Ground H6/H12 2=H12 6=H6
SCREW & GASKET →
1=Profile NBR Gasket & Screw, 2=Flat NBR Gasket & Screw
3=White Silicone Profile Gasket & Screw, 4=White Silicone Flat Gasket & Screw
T=Profile NBR Gasket + IP67 Fixing Screw
CIRCUIT →
see page 33
VOLTAGE & LED COLOR →
see page 33



Note: UL listed part number identified by combining
UL listed cable with UL overmolding material
e.g. E152A3A30011

**Build your connector using the intelligent
part number system and contact your local
sales representative to identify the proper
EDP number to use in your purchase orders**

Ground Position	Poles	Circuit	Voltage	LED Color	Engineering No.	Standard Order No.
H6/H12	2+Ground	NO	250V	NO	E332N2N10011	121040-0422
H12	3+Ground	NO	250V	NO	E333N2N10021	121040-1260
H6		NO	250V	NO	E333N2N10061	121040-1402
H6/H12	2+Ground	C4	24V AC/DC	yellow	E392N2N10011C4H	121050-0076
H6/H12		C4	230V AC/DC	yellow	E392N2N10011C4M	121050-3472

**DIN Valve connectors with molded cable, IP65 rated.
IP67 version available on request.**

Specifications

ELECTRICAL

Current: max. 3.0 or 5.0A
Contact Resistance: ≤ 15 milliohms max.
Insulation Resistance:
100Megohms min.

MECHANICAL

Insertion and Withdrawal Force:
2+GND ≤ 60 N

PHYSICAL

Durability: min. 50 cycles
Contact Area: Silver
Operating Temperature with:
Nitrile Rubber (NBR) Gasket:
-40° +90°C
Silicone Gasket: -40° +125°C
Live Contact Distance:
Form A 18.00mm
Form Industrial 11.00mm
Form B 10.00mm
Form C 8.00mm
Form Micro 9.40mm

Electronic and Non Electronic

E 8 5 0 B 0 P 12 M 100

DIN BODY STYLE

D=Form B 10.00mm (2P+Ground)
E=Form A 18.00mm (2P+Double Ground)
F=Form Ind. 11.00mm (2P+Ground)
G=Form Micro 9.40mm (2P+Double Ground)
H=Form C 8.0mm (2P+Double Ground)

SECOND END OF CABLE

1=Mini-Change Connector
4=Nano-Change M8 Connector
8=Micro-Change M12 Connector

NUMBER OF POLES

3=3 Poles For Mini-Change
5=5 Poles for Micro-Change M12

WIRING

0=Default Standard Wiring

CIRCUIT, VOLTAGE & LED COLOR

A= Circuit S0 24V and Yellow LED
B= Circuit C4 24V and Yellow LED
C= Circuit S0 110v and Yellow LED
D= Circuit C4 110v and Yellow LED
0= No Circuit

SECOND HEAD BODY STYLE

0= Micro-Change M12 Male Straight
Ground on DIN Head DIN H6 (H6/12 for cordset with Double Ground)
1= Micro-Change M12 Male Straight
Ground on DIN Head DIN H12 (not for Double Ground DIN)
2= Micro-Change M12 Male 90°
Ground on DIN Head DIN H6 (H6/12 for cordset with Double Ground)
3= Micro-Change M12 Male 90°
Ground on DIN Head DIN H12 (not for Double Ground DIN)
4= Mini-Change Male Straight
Ground on DIN Head DIN H6 (H6/12 for cordset with Double Ground)
5= Mini-Change Male Straight
Ground on DIN Head DIN H12 (not for Double Ground DIN)
6= Mini-Change Male 90°
Ground on DIN Head DIN H6 (H6/12 for cordset with Double Ground)
7= Mini-Change Male 90°
Ground on DIN Head DIN H12 (not for Double Ground DIN)

CABLE UNIT OF MEASURE

A23=Black PVC 0.75mm²
E12=Black PVC 0.50mm²
P12=Black PUR 0.50mm²
B08=Yellow PUR 18 AWG

CABLE UNIT OF MEASURE

M=Meters

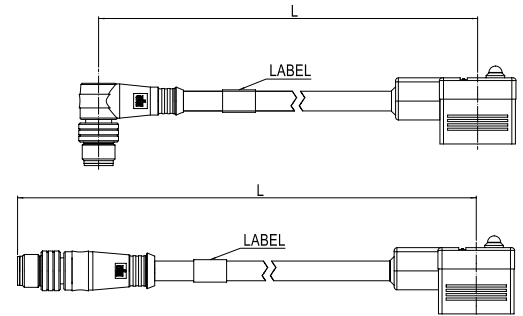
CABLE LENGTH

e.g. 003=0.3m 010=1m 100=10m

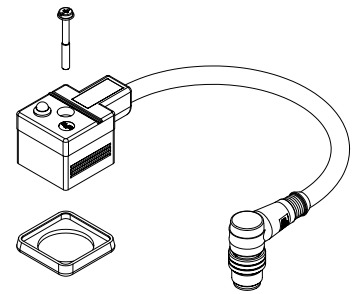
mPm® Molded Cable DIN Valve Connectors

121035 DIN Valve to Brad® M12,
Overmolded, Non-Electronic

121036 DIN Valve to Brad® M12,
Overmolded, Electronic



This technical data is referred on the DIN connector head, for Brad® connector data please refer to the proper catalogue



Build your connector using the intelligent part number system and contact your local sales representative to identify the proper EDP number to use in your purchase orders

Ground Position	Poles	Circuit	Voltage	LED Color	Engineering No.	Standard Order No.
Check Sales Drawing on www.molex.com	2+Ground	C4	24V AC/DC	yellow	D850B0P12M010	121036-0825
					E850B0P12M010	121036-0193
					F850B0P12M010	121036-0255
					G850B0P12M010	121036-0277
					H850B0P12M010	121036-0296

**DIN Valve connectors with molded cable, IP65 rated.
IP67 version available on request.**

Specifications

ELECTRICAL

Current: max. 5.0A
Contact Resistance: ≤15milliohms max.
Insulation Resistance:
100Megohms min.

MECHANICAL

Insertion and Withdrawal Force:
2+GND ≤ 60N

PHYSICAL

Durability: min. 50 cycles
Contact Area: Silver
Operating Temperature with:
Nitrile Rubber (NBR) Gasket:
-40° +90°C
Silicone Gasket: -40° +125°C
Live Contact Distance:
Form A 18.00mm
Form Industrial 11.00mm
Form B 10.00mm

ENVIRONMENTAL

IP65 sealing protection
(IP67 available on request)

Electronic and Non Electronic

E6 5 2 N2 N A 26 1 1 C4 1

SERIES

E6=Overmolded Dual DIN Cordset

SERIES

5=Form A **6**=Form Industrial **7**=Form B

NUMBER OF POLES

2=2 Poles + No GND connected

3=2 Poles + GND connected

A=M12 Straight **B**=M12 90°

CABLE

see cable options on technical features page 32

HEAD COLOR

N=Black **G**=Gray **A**=UL Black (only with UL listed cable)

MAIN CABLE LENGTH (m)

A=1 **B**=1,5 **C**=2 **D**=2,5 **E**=3 **F**=3,5 **G**=4 **H**=4,5 **L**=5 **M**=5,5 **N**=6
P=6,5 **Q**=7 **R**=7,5 **S**=8 **T**=8,5 **U**=9 **K**=10 **O**=M12 Molded on DIN Head

DISTANCE BETWEEN THE HEADS

e.g. **26**=26cm (min distance between 2 heads 13cm)

GROUND LOCATION

1=Double Ground H6/H12 **2**=H12 **6**=H6

SCREW & GASKET

1=Profile NBR Gasket & Screw, **2**=Flat NBR Gasket & Screw

3=White Silicone Profile Gasket & Screw, **4**=White Silicone Flat Gasket & Screw

P=Integrated NBR Gasket Assembled + IP67 Fixing Screw

CIRCUIT

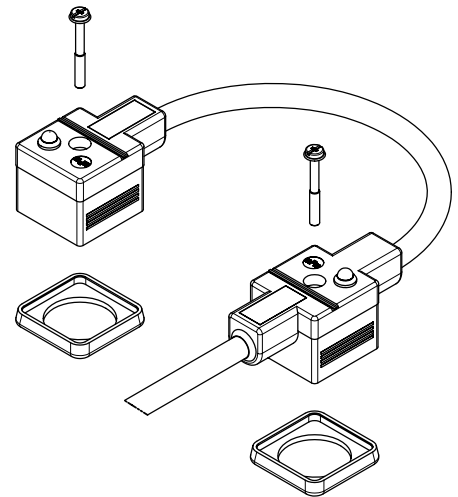
see page No. 33

VOLTAGE & LED COLOR

see page No. 33

mPm® Molded Cable DIN Valve Connectors

**121055 DUAL DIN Valve,
Overmolded,
Non-Electronic or Electronic**



This technical data is referred on the DIN connector head, for Brad® connector data please refer to the proper catalogue

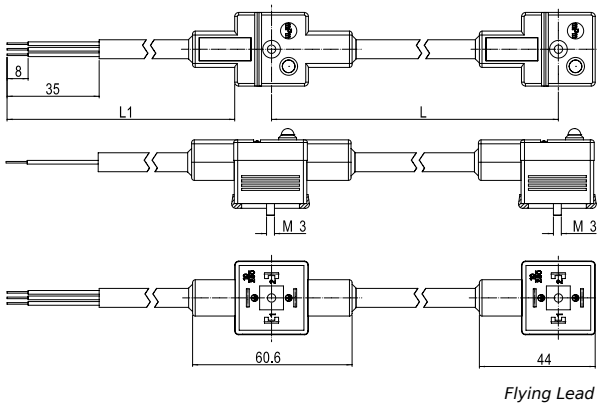
Build your connector using the intelligent part number system and contact your local sales representative to identify the proper EDP number to use in your purchase orders

Ground Position	Poles	Circuit	Voltage	LED Color	Engineering No.	Standard Order No.
Check Sales Drawing on www.molex.com	2+Ground connected	C4	24V AC/DC	yellow	E653P3NA1311C4H	121055-0161
			230V AC/DC		E653P3NA1311C4M	121055-0292
	2+Ground not connected		24V AC/DC		E662P3NA1361C4H	121055-0293
			230V AC/DC		E662P3NA1361C4M	121055-0294
			24V AC/DC		E672P3NA1361C4H	121055-0295
			230V AC/DC		E672P3NA1361C4M	121055-0296

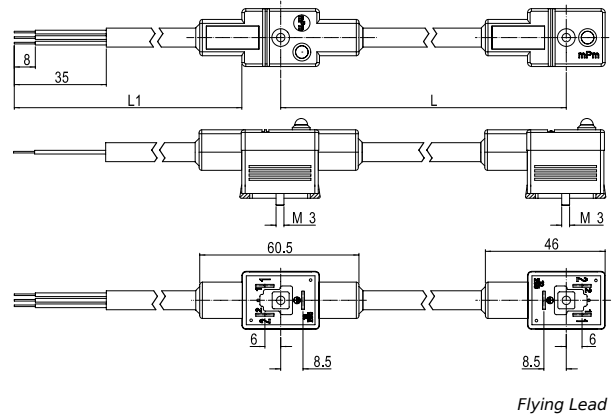
DIN Valve connectors with molded cable, IP65 rated.
IP67 version available on request.

121055 DUAL DIN Valve,
Overmolded,
Non-Electronic or Electronic

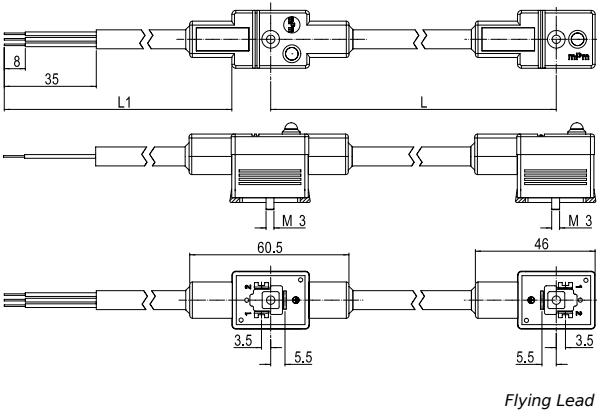
E65 Dual DIN Form A



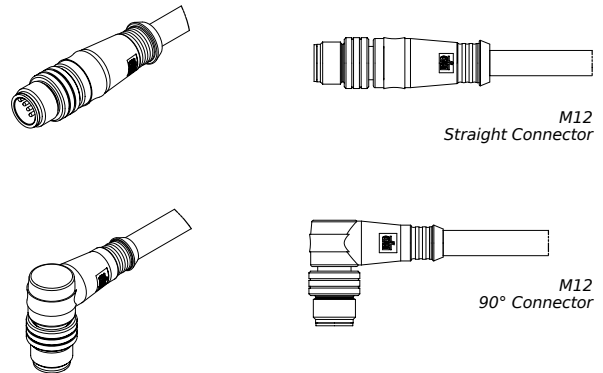
E66 Dual DIN Form Industrial



E67 Dual DIN Form B



Brad® Micro-Change M12



**DIN Valve connectors with molded cable, IP65 rated.
IP67 version available on request.**

Specifications

ELECTRICAL

Current: max. 3.0A or 5.0A
Contact Resistance: ≤15milliohms max.
Insulation Resistance:
100Megohms min.

MECHANICAL

Insertion and Withdrawal Force:
2+GND ≤ 60N

ENVIRONMENTAL

IP65 sealing protection
(IP67 available on request)

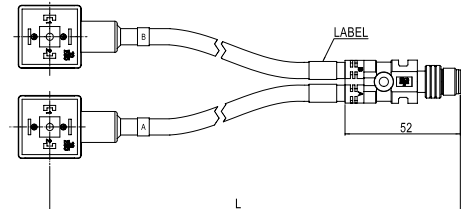
PHYSICAL

Durability: min. 50 cycles
Contact Area: Silver
Operating Temperature with:
Nitrile Rubber (NBR) Gasket:
-40° +90°C
Silicone Gasket: -40° +125°C
Live Contact Distance:
Form A 18mm
Form Industrial 11mm
Form B 10mm
Form C 8mm
Form Micro 9.4mm

mPm® Molded Cable DIN Valve Connectors

121035 DIN Valve to Brad® ILS,
Overmolded, Non-Electronic

121036 DIN Valve to Brad® ILS,
Overmolded, Electronic



Electronic and Non Electronic

E 8 5 A B 0 P12 M 100

DIN BODY STYLE

D=Form B 10.00mm (2P+Ground)
E=Form A 18.00mm (2P+Double Ground)
F=Form Ind. 11.00mm (2P+Ground)
G=Form Micro 9.40mm (2P+Double Ground)
H=Form C 8.0mm (2P+Double Ground)

SECOND END OF CABLE

8=Micro-Change M12 Connector

NUMBER OF POLES

5=5 Poles for Micro-Change M12

WIRING

A=In-Line Splitter

CIRCUIT, VOLTAGE & LED COLOR

A=Circuit S0 24V and Yellow LED
B=Circuit C4 24V and Yellow LED
C=Circuit S0 110v and Yellow LED
D=Circuit C4 110v and Yellow LED
0=No Circuit

SECOND HEAD BODY STYLE

0= Micro-Change M12 Male Straight
Ground on DIN Head DIN H6 (H6/12 for cordset with Double Ground)
1= Micro-Change M12 Male Straight
Ground on DIN Head DIN H12 (not for Double Ground DIN)

CABLE UNIT OF MEASURE

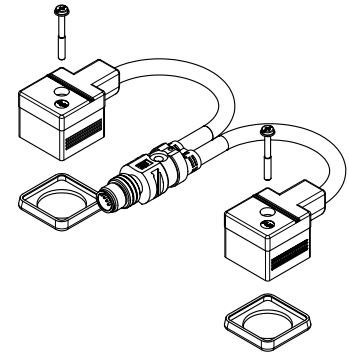
A23=Black PVC 0.75mm²
E12=Black PVC 0.50mm²
P12=Black PUR 0.50mm²
B08=Yellow PUR 18 AWG

CABLE UNIT OF MEASURE

M=Meters

CABLE LENGTH

e.g. **003**=0.3m **010**=1m **100**=10m



This technical data is referred on the DIN connector head, for Brad® connector data please refer to the proper catalogue

Build your connector using the intelligent part number system and contact your local sales representative to identify the proper EDP number to use in your purchase orders

Ground Position	Poles	Circuit	Voltage	LED Color	Engineering No.	Standard Order No.
See drawing	2+Ground	C4	24V AC/DC	yellow	D85AB0P12M010	121036-0925
					E85AB0P12M010	121036-0577
					F85AB0P12M010	121036-0378
					G85AB0P12M010	121036-0926
					H85AB0P12M010	121036-0927

**DIN Valve connectors with molded cable, IP65 rated.
IP67 version available on request.**

Specifications

ELECTRICAL

Current: max. 3.0A or 5.0A
Contact Resistance: ≤ 15 milliohms max.
Insulation Resistance:
100Megohms min.

MECHANICAL

Insertion and Withdrawal Force:
2+GND ≤ 60 N

ENVIRONMENTAL

IP65 sealing protection
(IP67 available on request)

PHYSICAL

Durability: min. 50 cycles
Contact Area: Silver
Operating Temperature with:
Nitrile Rubber (NBR) Gasket:
-40° +90°C
Silicone Gasket: -40° +125°C
Live Contact Distance:
Form A 18mm
Form Industrial 11mm
Form B 10mm
Form C 8mm
Form Micro 9.4mm

Electronic and Non Electronic

E 8 5 0 B 0

DIN BODY STYLE

D=Form B 10.00mm (2P+Ground)
E=Form A 18.00mm (2P+Double Ground)
F=Form Ind. 11.00mm (2P+Ground)
G=Form Micro 9.40mm (2P+Double Ground)
H=Form C 8.0mm (2P+Double Ground)

BRAD® M8/M12 EXIT

5=Nano-Change M8 Connector
8=Micro-Change M12 Connector

NUMBER OF POLES

3=3 Poles For Mini-Change
5=5 Poles for Micro-Change M12

WIRING

0=Default Standard Wiring

CIRCUIT, VOLTAGE & LED COLOR

A=Circuit S0 24V and Yellow LED
B=Circuit C4 24V and Yellow LED
C=Circuit S0 110v and Yellow LED
D=Circuit C4 110v and Yellow LED
0=No Circuit

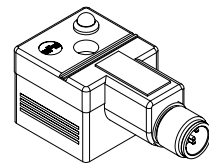
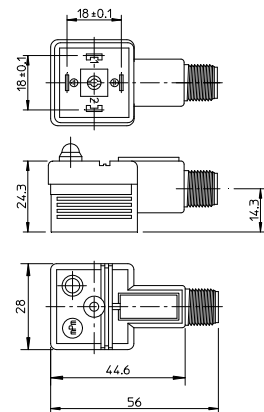
HEAD BODY STYLE

0=Brad® M8 / M12 Male Straight
Ground on DIN Head DIN H6 (H6/12 for cordset with Double Ground)
1=Brad® M8 / M12 Male Straight
Ground on DIN Head DIN H12 (not for Double Ground DIN)

Ground Position	Poles	Circuit	Voltage	LED Color	Engineering No.	Standard Order No.
See drawing	2+Ground	C4	24V AC/DC	yellow	E850B0	121037-0035
					F850B0	121037-0058
					G850B0	121037-0068
					H850B0	121037-0075

mPm® DIN Valve Connectors with Molded M8/M12

121037 DIN Valve to Brad®
M8/M12 Overmolded Adaptor,
Electronic / Non-Electronic



This technical data is referred on the DIN connector head, for Brad connector data please refer to the proper catalogue

Build your connector using the intelligent part number system and contact your local sales representative to identify the proper EDP number to use in your purchase orders

Cable Types

Cable Type	Code	Features
Harmonized PVC	N	Cable used for general purpose, has a good resistance to water but usually poor against chemical oils.
PVC CEI 2022 II	I	Approved to iec332-2a, it is flame retardant and self estinguish, limited resistance against mineral oils.
PUR Blend	P	This cable offers a good resistance against chemicals and oils. Can swell when constantly immersed in water.
PVC UL 2661	A	Approved UL2661, application for general purpose. This cable has a good resistance to water but usually poor oil resistance.
PUR UL 20668	B	Approved UL20668, cable with very good resistance against oils and chemicals.

Technical Features

Cable Code	Strand / Cross	Type	External Diam. (mm)		Temp. Range (static)		Bending Radius (mm)	
			nominal	tolerance	min (°C)	max (°C)	static	dinamic
I 2	2x0.50mm ²	PVC CEI 2022 II	5,50	+0,4/-0,0	-25	+70	>10xD	>15xD
I 2	3x0.50mm ²	PVC CEI 2022 II	5,50	+0,4/-0,0	-25	+70	>10xD	>15xD
I 2	4x0.50mm ²	PVC CEI 2022 II	6,50	±0,3	-25	+70	>10xD	>15xD
P 2	2x0.50mm ²	PUR BLEND	5,50	±0,3	-40	+90	>7,5xD	>12,5xD
P 2	3x0.50mm ²	PUR BLEND	5,50	+0,5/-0,0	-40	+90	>7,5xD	>12,5xD
P 2	4x0.50mm ²	PUR BLEND	6,50	±0,3	-40	+90	>7,5xD	>12,5xD
A 2	2x20 AWG	PVC UL 2661	5,40	±0,3	-30	+105	>10xD	>15xD
A 2	3x20 AWG	PVC UL 2661	5,60	±0,3	-30	+105	>10xD	>15xD
A 2	4x20 AWG	PVC UL 2661	6,20	±0,35	-30	+105	>10xD	>15xD
B 2	2x20 AWG	PUR UL 20668	5,60	±0,3	-40	+90	>5xD	>10xD
B 2	3x20 AWG	PUR UL 20668	5,60	±0,3	-40	+90	>5xD	>10xD
B 2	4x20 AWG	PUR UL 20668	6,30	±0,3	-40	+90	>5xD	>10xD
N 2	2x0.50mm ²	HARMONIZED PVC H03	5,20	±0,3	-20	+70	>3xD	NA
N 2	3x0.50mm ²	HARMONIZED PVC H03	5,50	±0,3	-20	+70	>3xD	NA
N 2	4x0.50mm ²	HARMONIZED PVC H03	5,90	±0,4	-20	+70	>3xD	NA
I 3	2x0.75mm ²	PVC CEI 2022 II	5,50	±0,3	-25	+70	>10xD	>15xD
I 3	3x0.75mm ²	PVC CEI 2022 II	6,00	±0,3	-25	+70	>10xD	>15xD
I 3	4x0.75mm ²	PVC CEI 2022 II	7,00	±0,3	-25	+70	>10xD	>15xD
P 3	2x0.75mm ²	PUR BLEND	6,50	±0,3	-40	+90	>7,5xD	>12,5xD
P 3	3x0.75mm ²	PUR BLEND	6,50	±0,3	-40	+90	>7,5xD	>12,5xD
P 3	4x0.75mm ²	PUR BLEND	7,00	±0,3	-40	+90	>7,5xD	>12,5xD
A 3	2x18 AWG	PVC UL 2661	6,20	±0,35	-30	+105	>10xD	>15xD
A 3	3x18 AWG	PVC UL 2661	6,50	±0,35	-30	+105	>10xD	>15xD
A 3	4x18 AWG	PVC UL 2661	7,00	+0,4/-0,0	-30	+105	>10xD	>15xD
B 3	2x18 AWG	PUR UL 20668	6,20	±0,3	-40	+90	>5xD	>10xD
B 3	3x18 AWG	PUR UL 20668	6,50	±0,3	-40	+90	>5xD	>10xD
B 3	4x18 AWG	PUR UL 20668	7,00	±0,3	-40	+90	>5xD	>10xD
N 3	2x0.75mm ²	HARMONIZED PVC H05	6,20	±0,3	-20	+70	>9xD	NA
N 3	3x0.75mm ²	HARMONIZED PVC H05	6,50	±0,3	-20	+70	>9xD	NA
N 3	4x0.75mm ²	HARMONIZED PVC H05	7,10	±0,4	-20	+70	>9xD	NA
I 4	2x1mm ²	PVC CEI 2022 II	7,10	±0,3	-25	+70	>10xD	>15xD
I 4	3x1mm ²	PVC CEI 2022 II	7,10	+0,4/-0,0	-25	+70	>10xD	>15xD
N 4	2x1mm ²	HARMONIZED PVC H05	6,50	±0,3	-20	+70	>9xD	NA
N 4	3x1mm ²	HARMONIZED PVC H05	6,90	±0,3	-20	+70	>9xD	NA

Our circuit range provides LED indication or suppressor circuitry for surge protection.

Many other circuit configurations are available upon request; contact your local sales representative to identify the proper EDP number to use in your purchase orders.

Circuit Options

SUPPLY VOLTAGE AND LED COLOR

1 = 12V	Red LED	A = 12V	Green LED	G = 12V	Yellow LED
2 = 24V		B = 24V		H = 24V	
3 = 48V		C = 48V		K = 48V	
4 = 115V		D = 115V		L = 115V	
5 = 230V		E = 230V		M = 230V	

Input	Circuit Schematic	Load	Circuit Description	Available on Product Type
V AC/DC			CIRCUIT A1 With bipolar LED, provides a luminous signal when power is applied.	Connectors Series S, Series E (only with Electronic) and Series A
V DC			CIRCUIT C3 With LED and diode to protect against peak of overvoltage when switching off.	Connectors Series S, Series E (only with Electronic) and Series A
V AC/DC			CIRCUIT C4 With bipolar LED and VDR to protect supply and switch against peak of overvoltage.	Connectors Series S, Series E (only with Electronic) and Series A
V AC/DC			CIRCUIT D0 With VDR to protect supply and switch from peak of overvoltage.	Connectors Series S, Series E (only with Electronic)
V DC			CIRCUIT E0 With diode to protect against peak of overvoltage when switching off.	Connectors Series S, Series E (only with Electronic)
V AC/DC			CIRCUIT S0 With transient suppressor (transil) to provide blocking of input and output overvoltage. a bipolar LED provide a visual information when power is applied.	Connectors Series S, Series E (only with Electronic) and Series A
V AC/DC			CIRCUIT S1 With transient suppressor (transil) to provide blocking of input and output overvoltage.	Connectors Series S, Series E (only with Electronic)
V AC			CIRCUIT R0 Full wave bridge rectifier with VDR to protect against overvoltage.	Connectors Series S53/54/11, Series E451 (only with Electronic)
V AC			CIRCUIT R2 Full wave bridge rectifier with VDR to protect against overvoltage and LED to confirm the presence of the rectified DC voltage.	Connectors Series S53/54/11, Series E451 (only with Electronic)



**SAFE AND RELIABLE PRODUCTS >
DESIGNED FOR DEMANDING
ENVIRONMENTS**

mPm[®] DIN valve bases follow industry standards and are used where rapid installation and service are required. Bases are used as protective enclosures for electrical connection in conjunction with hydraulic and pneumatic solenoid valves as well as sensors.



mPm[®] DIN Bases

Conform to EN 175301-803 (ex DIN 43650)

The bases range is used extensively together with Molex mPm connectors to provide electrical connections in a wide range of applications. The most common application for mPm bases is in conjunction with hydraulic, pneumatic or electromagnetic devices. Other applications include, for example, pressure transducers, proximity switches, level sensors, limit switches, thermostats and low energy motors.



DIN Bases are provided in kit with fixing screw and gasket where required. The range covers the most important and common applications

Specifications

ELECTRICAL

See following pages for details

CERTIFICATION

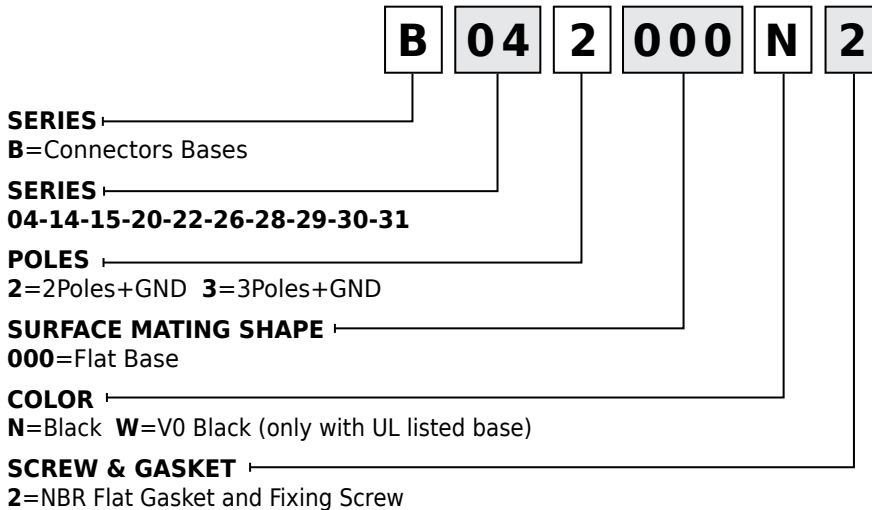
UL recognized, *cURus* marked, file E218123 (product available upon request or specific part number)

PHYSICAL

Durability: min. 50 cycles
 Contact Area: Silver
 Solder Tail Area: Silver
 Operating Temperature with:
 Nitrile Rubber (NBR) Gasket:
 -40° +90°C
 Silicone Gasket: -40° +125°C
 Live Contact Distance:
 Form A 18.00mm
 Form Industrial 11.00mm
 Form C 8.00mm
 Form Micro 9.40mm

mPm® DIN Bases

- 121012** Form A
- 121012** Industrial
- 121012** Form C
- 121012** Form Micro



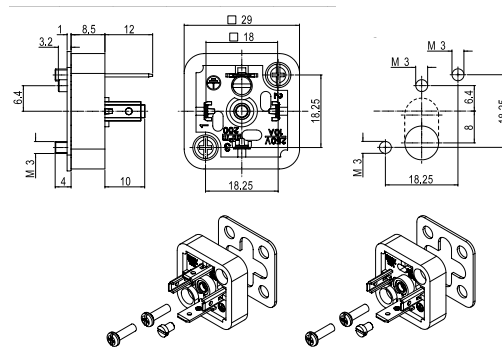
Note: UL listed part number identified by adding suffix SA at the end of the nomenclature in conjunction with UL material (W for black and T for transparent) e.g. B142000W2SA

Build your connector using the intelligent part number system and contact your local sales representative to identify the proper EDP number to use in your purchase orders

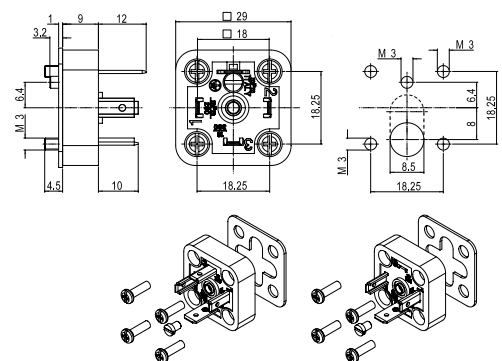
DIN Bases are provided in kit with fixing screw and gasket where required. The range covers the most important and common applications.

121012 Form A
121012 Industrial
121012 Form C
121012 Form Micro

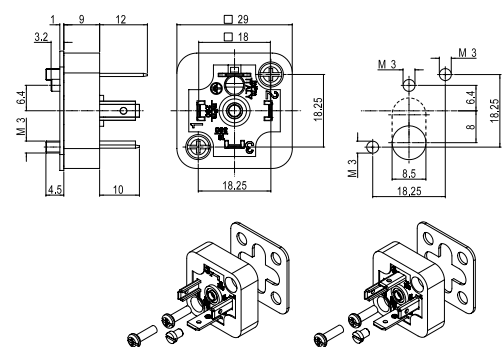
Code	B202000N2	B203000N2
Standard Order No.	121012-0013	121012-0019
Nominal Voltage	250V AC/300V DC	
Poles	2 + Ground	3 + Ground
Max. Wire Sect.	1.00mm ²	
Mate with	Form A 2 Poles	Form A 3 Poles
Base with external fixing screw for assembly on flat surface. This base allow to solder wire in front or back of the base.		



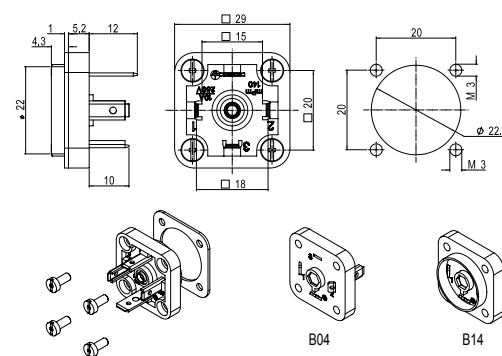
Code	B262000N2	B263000N2
Standard Order No.	121012-0071	121012-0076
Nominal Voltage	250V AC/300V DC	
Poles	2 + Ground	3 + Ground
Max. Wire Sect.	1.00mm ²	
Mate with	Form A 2 Poles	Form A 3 Poles
Base with external fixing screw for assembly on flat surface.		



Code	B282000N2	B283000N2
Standard Order No.	121012-0095	121012-0099
Nominal Voltage	250V AC/300V DC	
Poles	2 + Ground	3 + Ground
Max. Wire Sect.	1.00mm ²	
Mate with	Form A 2 Poles	Form A 3 Poles
Base with external fixing screw for assembly on flat surface.		



Code	B142000N2	B143000N2
Standard Order No.	121012-0006	121012-0007
Code	B042000N2	B043000N2
Standard Order No.	121012-0001	121012-0003
Nominal Voltage	250V AC/300V DC	
Poles	2 + Ground	3 + Ground
Max. Wire Sect.	1.00mm ²	
Mate with	Form A 2 Poles	Form A 3 Poles
Base with external fixing screw for assembly on flat surface with hole max. Diam. 22,5mm.		

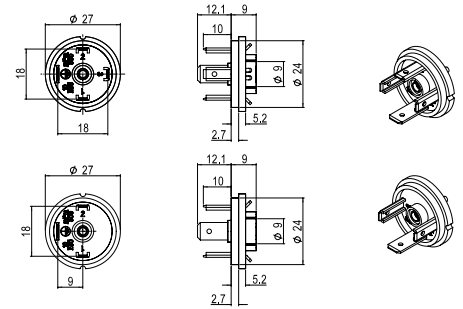


DIN Bases are provided in kit with fixing screw and gasket where required. The range covers the most important and common applications.

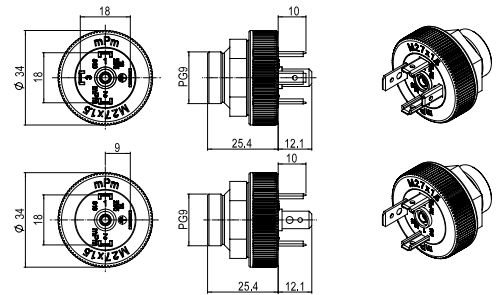
mPm® DIN Bases

- 121012 Form A
- 121012 Industrial
- 121012 Form C
- 121012 Form Micro

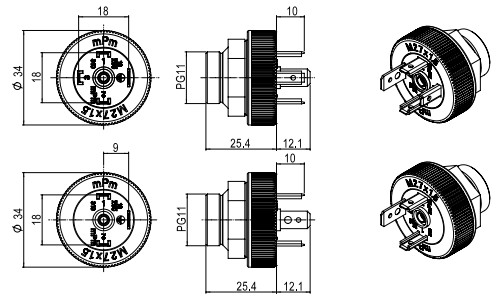
Code	B302000N0	B303000N0
Standard Order No.	121012-0112	121012-0114
Nominal Voltage	250V AC/300V DC	
Poles	2 + Ground	3 + Ground
Max. Wire Sect.	1.00mm ²	
Mate with	Form A 2 Poles	Form A 3 Poles
Base can be molded directly with the coil or assembled into the application.		



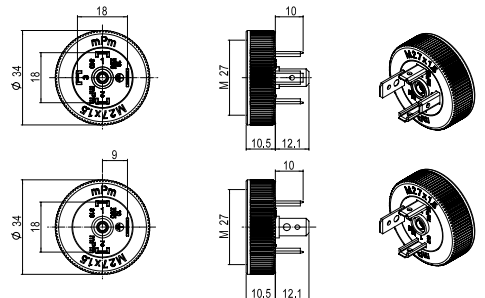
Code	B312P09N0	B313P09N0
Standard Order No.	121012-0117	121012-0121
Nominal Voltage	250V AC/300V DC	
Poles	2 + Ground	3 + Ground
Max. Wire Sect.	1.00mm ²	
Mate with	Form A 2 Poles	Form A 3 Poles
Base allowed to assembled using a PG 9 thread.		



Code	B312P11N0	B313P11N0
Standard Order No.	121012-0118	121012-0122
Nominal Voltage	250V AC/300V DC	
Poles	2 + Ground	3 + Ground
Max. Wire Sect.	1.00mm ²	
Mate with	Form A 2 Poles	Form A 3 Poles
Base allowed to assembled using a PG 11 thread.		



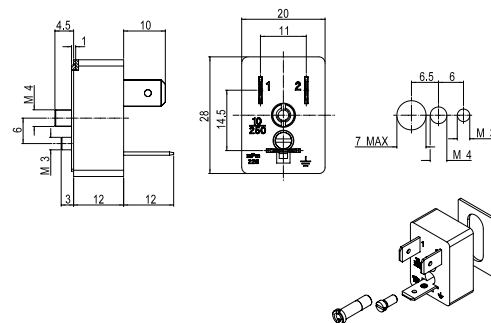
Code	B312M27N0	B313M27N0
Standard Order No.	121012-0116	121012-0120
Nominal Voltage	250V AC/300V DC	
Poles	2 + Ground	3 + Ground
Max. Wire Sect.	1.00mm ²	
Mate with	Form A 2 Poles	Form A 3 Poles
Base allowed to assembled using a lock fixing nut M27 thread.		



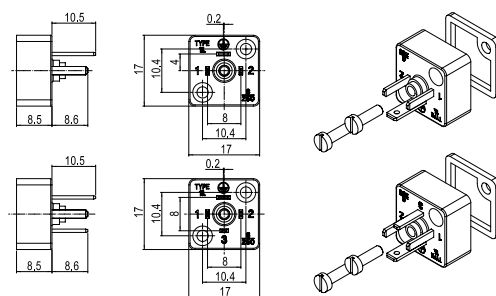
DIN Bases are provided in kit with fixing screw and gasket where required. The range covers the most important and common applications.

121012 Form A
121012 Industrial
121012 Form C
121012 Form Micro

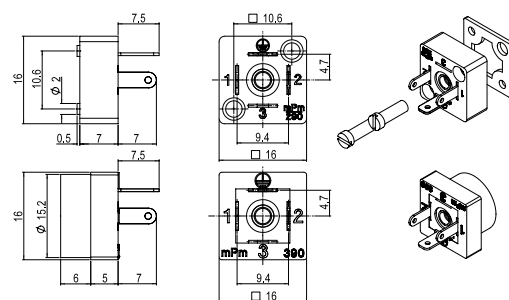
Code	B222000N2
Standard Order No.	121012-0047
Nominal Voltage	250V AC/300V DC
Poles	2 + Ground
Max. Wire Sect.	1.00mm ²
Mate with	Form Industrial 2 Poles
Base with central fixing screw to assemble on flat surface.	



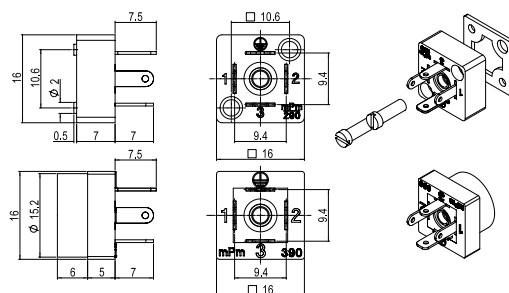
Code	B152000N2	B153000N2
Standard Order No.	121012-0009	121012-0010
Nominal Voltage	250V AC/300V DC	
Poles	2 + Ground	3 + Ground
Max. Wire Sect.	0,75mm ²	0,75mm ²
Mate with	Form C 2 Poles	Form C 3 Poles
Base with external fixing screw for assembly on flat surface.		



Code	B292000N2	B392000N0
Standard Order No.	121012-0102	121012-0126
Nominal Voltage	250V AC/300V DC	
Poles	2 + Ground	2 + Ground
Max. Wire Sect.	0,75mm ²	0,75mm ²
Mate with	Form Micro 2 Poles	Form Micro 2 Poles
B292 base with external fixing screw for assembly on flat surface. B392 for assembly on surface with hole Diam. 15mm		



Code	B293000N2	B393000N0
Standard Order No.	121012-0107	121012-0127
Nominal Voltage	250V AC/300V DC	
Poles	3 + Ground	3 + Ground
Max. Wire Sect.	0,75mm ²	0,75mm ²
Mate with	Form Micro 3 Poles	Form Micro 3 Poles
B293 base with external fixing screw for assembly on flat surface. B393 for assembly on surface with hole Diam. 15mm.		





**HIGH QUALITY SOLENOID VALVE
ADAPTORS >
ENSURE FLEXIBILITY AND
PROTECTION**

The mPm[®] DIN valve adaptors are developed in compliance with current standards and specifications to guarantee a high level of performance, reliability and availability. Adaptors provide easier assembly and mounting at lower applied costs.



mPm[®] DIN Adaptors

Conform to EN 175301-803 (ex DIN 43650)

The adaptors with protective circuit are wafer interfaces which fit between the solenoid and the power connector. Thus providing the opportunity to upgrade with protection and indicator facilities with a minimum assembly time whilst retaining the existing component.



DIN Adaptors with protective circuit. The range covers the most important and common applications.

- 121001** Form A
- 121001** Industrial
- 121001** Form B
- 121001** Form Micro

Specifications

ELECTRICAL

See following pages

PHYSICAL

Durability: min. 50 cycles

Live Contact Distance:

- Form A 18.00mm
- Form Industrial 11.00mm
- Form B 10.00mm
- Form Micro 9.40mm

SERIES

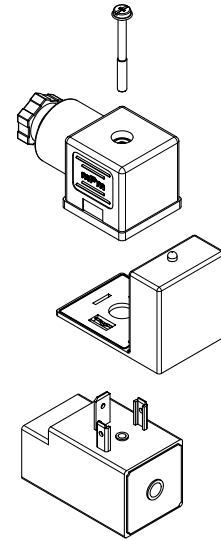
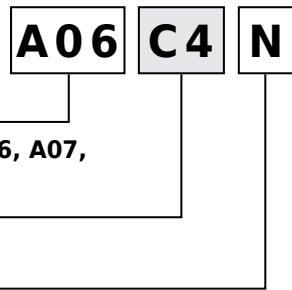
A01, A02, A03, A04, A05, A06, A07, A08, A09, A10, A11

CIRCUIT

see below in the page

VOLTAGE & LED COLOR

see here below



SUPPLY VOLTAGE AND LED COLOR

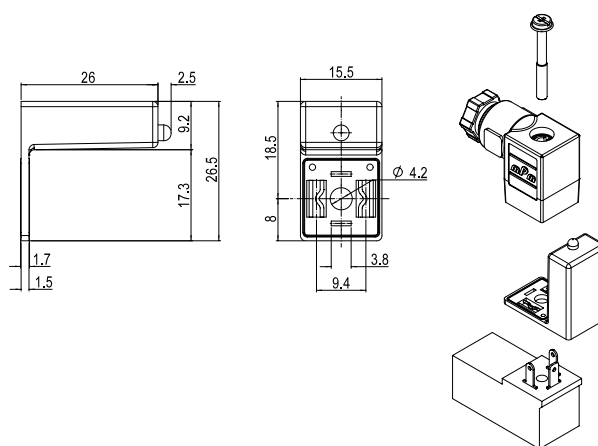
1 = 12V	} Red LED	A = 12V	} Green LED	G = 12V	} Yellow LED
2 = 24V		B = 24V		H = 24V	
3 = 48V		C = 48V		K = 48V	
4 = 115V		D = 115V		L = 115V	
5 = 230V		E = 230V		M = 230V	

Build your connector using the intelligent part number system and contact your local sales representative to identify the proper EDP number to use in your purchase orders

A1	C3	C4	G2	S0
Bipolar LED for signal of power applied on the application	Polarized LED and blocking diode to protect against peak of overvoltage when switching off	Bipolar LED and VDR to protect against peak of overvoltage when switching off	Bipolar LED and RC circuit to dissipate energy created when switching off (not available for A01 adaptor)	Bipolar LED and Transil Diode to protect against peak of overvoltage when switching off
V AC - V DC	V DC	V AC - V DC	V AC - V DC	V AC - V DC

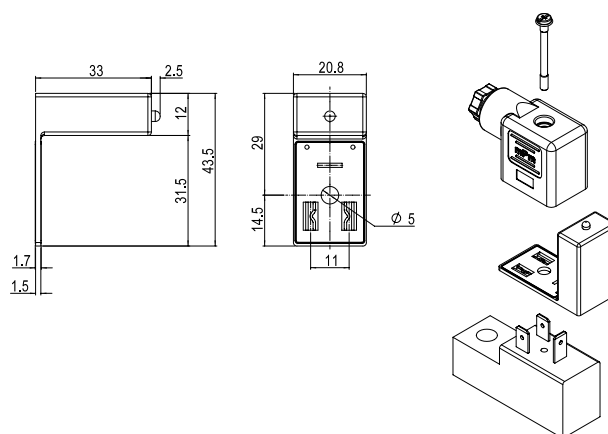
DIN Adaptors with protective circuit. The range covers the most important and common applications.

121001 Form A
121001 Industrial
121001 Form B
121001 Form Micro



Light Adaptor A01 Series for Form Micro DIN Connectors

Poles	Circuit	Voltage	LED Color	Engineering No.	Standard Order No.
2	C4	24V AC/DC	yellow	A01C4H	121001-0024
		115V AC/DC	yellow	A01C4L	121001-0025
		230V AC/DC	yellow	A01C4M	121001-0406



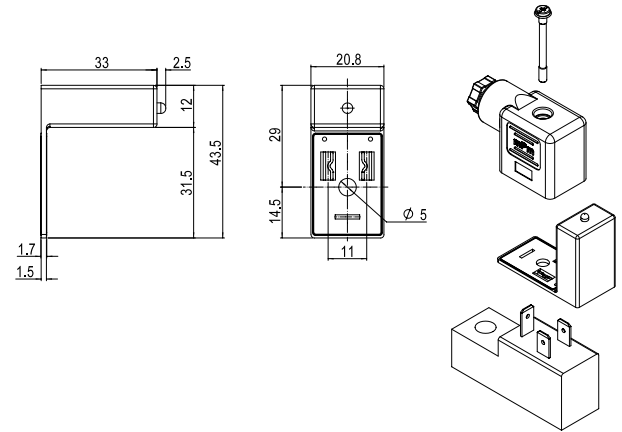
Light Adaptor A02 Series for Form Industrial DIN Connectors

Poles	Circuit	Voltage	LED Color	Engineering No.	Standard Order No.
2	C4	24V AC/DC	yellow	A02C4H	121001-0056
		115V AC/DC	yellow	A02C4L	121001-0057
		230V AC/DC	yellow	A02C4M	121001-0058

DIN Adaptors with protective circuit. The range covers the most important and common applications.

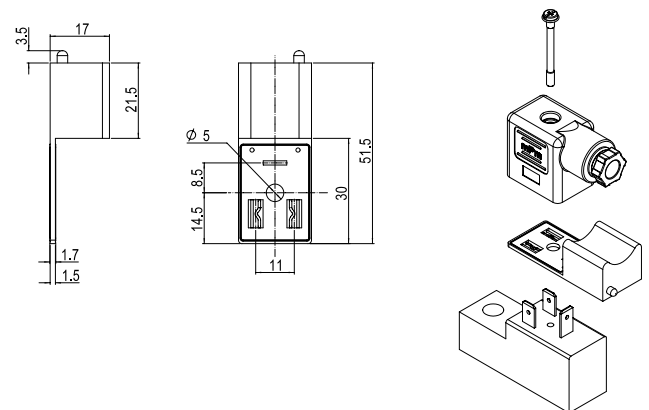
mPm® DIN Adaptors

- 121001 Form A
- 121001 Industrial
- 121001 Form B
- 121001 Form Micro



Light Adaptor A03 Series for Form Industrial DIN Connectors

Poles	Circuit	Voltage	LED Color	Engineering No.	Standard Order No.
2	C4	24V AC/DC	yellow	A03C4H	121001-0098
		115V AC/DC	yellow	A03C4L	121001-0099
		230V AC/DC	yellow	A03C4M	121001-0100

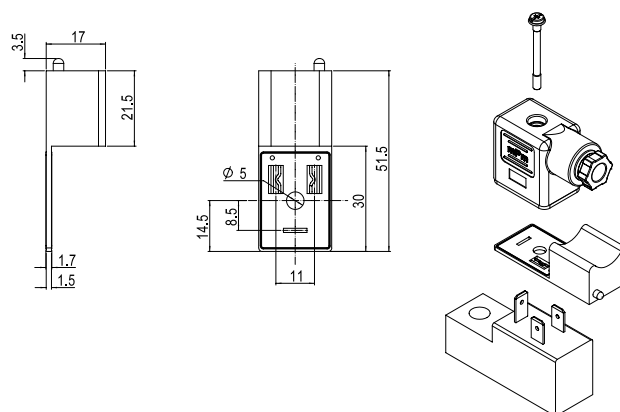


Light Adaptor A04 Series for Form Industrial DIN Connectors

Poles	Circuit	Voltage	LED Color	Engineering No.	Standard Order No.
2	C4	24V AC/DC	yellow	A04C4H	121001-0136
		115V AC/DC	yellow	A04C4L	121001-0137
		230V AC/DC	yellow	A04C4M	121001-0138

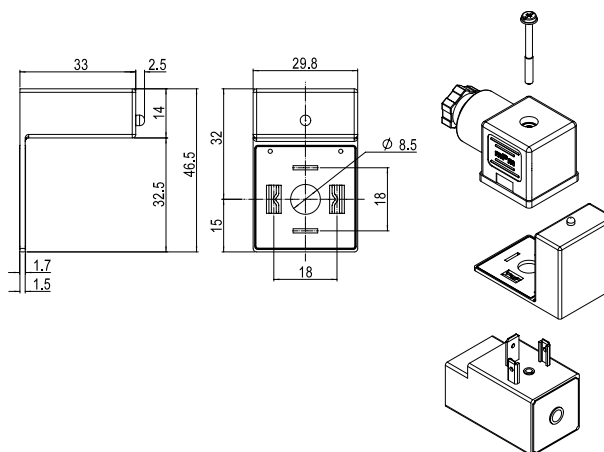
DIN Adaptors with protective circuit. The range covers the most important and common applications.

- 121001 Form A
- 121001 Industrial
- 121001 Form B
- 121001 Form Micro



Light Adaptor A05 Series for Form Industrial DIN Connectors

Poles	Circuit	Voltage	LED Color	Engineering No.	Standard Order No.
2	C4	24V AC/DC	yellow	A05C4H	121001-0172
		115V AC/DC	yellow	A05C4L	121001-0438
		230V AC/DC	yellow	A05C4M	121001-0174



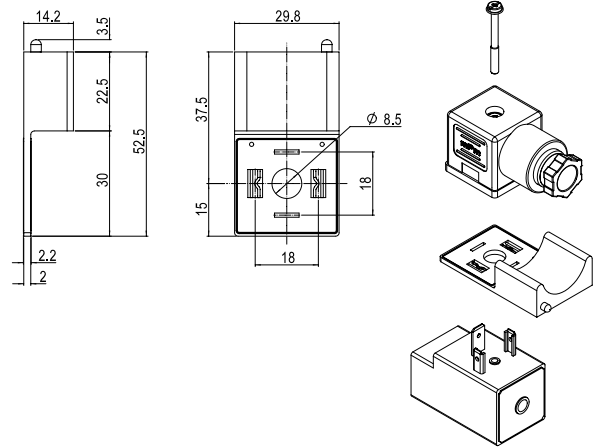
Light Adaptor A06 Series for Form A DIN Connectors

Poles	Circuit	Voltage	LED Color	Engineering No.	Standard Order No.
2	C4	24V AC/DC	yellow	A06C4H	121001-0219
		115V AC/DC	yellow	A06C4L	121001-0220
		230V AC/DC	yellow	A06C4M	121001-0221

DIN Adaptors with protective circuit. The range covers the most important and common applications.

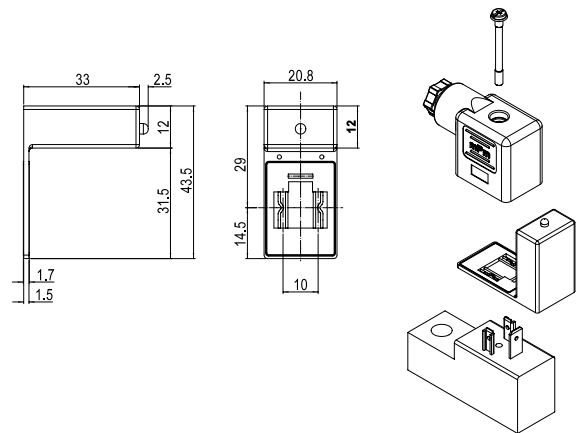
mPm® DIN Adaptors

- 121001 Form A
- 121001 Industrial
- 121001 Form B
- 121001 Form Micro



Light Adaptor A07 Series for Form A DIN Connectors

Poles	Circuit	Voltage	LED Color	Engineering No.	Standard Order No.
2	C4	24V AC/DC	yellow	A07C4H	121001-0262
		115V AC/DC	yellow	A07C4L	121001-0263
		230V AC/DC	yellow	A07C4M	121001-0264

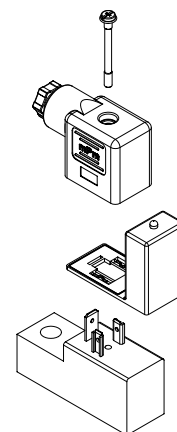
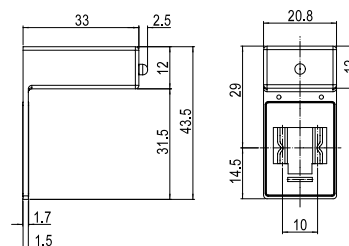


Light Adaptor A08 Series for Form B DIN Connectors

Poles	Circuit	Voltage	LED Color	Engineering No.	Standard Order No.
2	C4	24V AC/DC	yellow	A08C4H	121001-0292
		115V AC/DC	yellow	A08C4L	121001-0439
		230V AC/DC	yellow	A08C4M	121001-0294

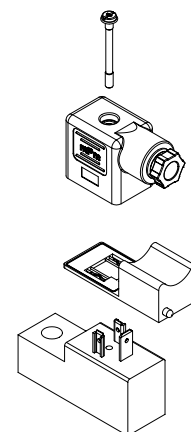
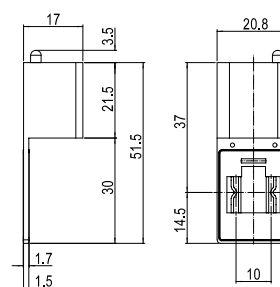
DIN Adaptors with protective circuit. The range covers the most important and common applications.

121001 Form A
121001 Industrial
121001 Form B
121001 Form Micro



Light Adaptor A09 Series for Form B DIN Connectors

Poles	Circuit	Voltage	LED Color	Engineering No.	Standard Order No.
2	C4	24V AC/DC	yellow	A09C4H	121001-0440
		115V AC/DC	yellow	A09C4L	121001-0441
		230V AC/DC	yellow	A09C4M	121001-0327



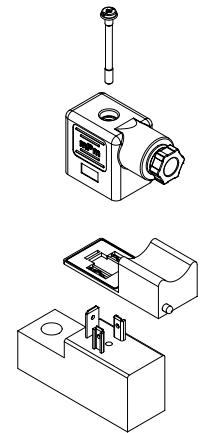
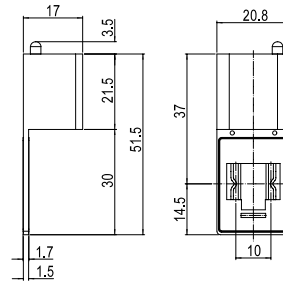
Light Adaptor A10 Series for Form B DIN Connectors

Poles	Circuit	Voltage	LED Color	Engineering No.	Standard Order No.
2	C4	24V AC/DC	yellow	A10C4H	121001-0353
		115V AC/DC	yellow	A10C4L	121001-0442
		230V AC/DC	yellow	A10C4M	121001-0443

DIN Adaptors with protective circuit. The range covers the most important and common applications.

mPm® DIN Adaptors

- 121001 Form A
- 121001 Industrial
- 121001 Form B
- 121001 Form Micro



Light Adaptor A11 Series for Form B DIN Connectors

Poles	Circuit	Voltage	LED Color	Engineering No.	Standard Order No.
2	C4	24V AC/DC	yellow	A11C4H	121001-0354
		115V AC/DC	yellow	A11C4L	121001-0444
		230V AC/DC	yellow	A11C4M	121001-0445

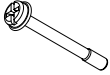
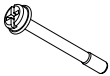
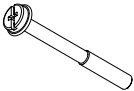
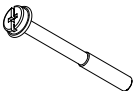
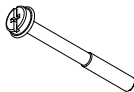
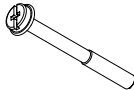
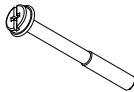
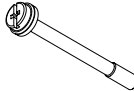
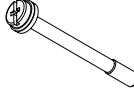
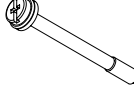
Gasket and screws, bagged spare parts for DIN valve connectors. Spare parts are developed specifically for and can be used only with mPm DIN valve connectors.

121129 DIN Valve Connector
Spare Parts

	Gasket Type	For Connectors	Material	Standard Order No.	Packaging Style
	Non loosing	Form A with retention feature	NBR	121129-0334	1 Unit = 1 Bag with 100pcs
	Non loosing		Silicone	121129-0289	1 Unit = 1 Bag with 50pcs
	Non loosing	Form Industrial with retention feature	NBR	121129-0264	1 Unit = 1 Bag with 50pcs
	Non loosing		Silicone	121129-0296	1 Unit = 1 Bag with 50pcs
	Profile	Form A	NBR	121129-0080	1 Unit = 1 Bag with 100pcs
	Profile		Silicone	121129-0081	1 Unit = 1 Bag with 100pcs
	Flat	Form A	NBR	121129-0078	1 Unit = 1 Bag with 100pcs
	Flat		Silicone	121129-0079	1 Unit = 1 Bag with 100pcs
	Profile	Form B and Industrial	NBR	121129-0084	1 Unit = 1 Bag with 100pcs
	Profile		Silicone	121129-0085	1 Unit = 1 Bag with 100pcs
	Flat	Form Industrial	NBR	121129-0082	1 Unit = 1 Bag with 100pcs
	Flat		Silicone	121129-0083	1 Unit = 1 Bag with 100pcs
	Flat	Form B	NBR	121129-0112	1 Unit = 1 Bag with 100pcs
	Flat		Silicone	121129-0113	1 Unit = 1 Bag with 100pcs
	Profile	Form C and Micro	NBR	121129-0098	1 Unit = 1 Bag with 100pcs
	Profile		Silicone	121129-0099	1 Unit = 1 Bag with 100pcs
	Flat	Form Micro	NBR	121129-0096	1 Unit = 1 Bag with 100pcs
	Flat		Silicone	121129-0097	1 Unit = 1 Bag with 100pcs
	Flat	Form C	NBR	121129-0118	1 Unit = 1 bag with 100pcs
	Flat		Silicone	121129-0119	1 Unit = 1 Bag with 100pcs

Gasket and screws, bagged spare parts for DIN valve connectors. Spare parts are developed specifically for and can be used only with mPm DIN valve connectors.

121129 DIN Valve Connector
Spare Parts

	Screw Type	Length	Note	Standard Order No.	Packaging Style
	M2.5	22.50mm	Steel - Zinc plated	121129-0033	1 Unit = 1 Bag with 100pcs
	M2.5	25.00mm	Steel - Zinc plated	121129-0002	1 Unit = 1 Bag with 100pcs
	M3	20.00mm	Steel - Zinc plated	121129-0030	1 Unit = 1 Bag with 100pcs
	M3	25.00mm	Steel - Zinc plated	121129-0007	1 Unit = 1 Bag with 100pcs
	M3	27.00mm	Steel - Zinc plated	121129-0010	1 Unit = 1 Bag with 100pcs
	M3	29.00mm	Steel - Zinc plated	121129-0001	1 Unit = 1 Bag with 100pcs
	M3	31.00mm	Steel - Zinc plated	121129-0003	1 Unit = 1 Bag with 100pcs
	M3	27.00mm	Steel - Zinc plated With additional sealing grommet	121129-0237	1 Unit = 1 Bag with 100pcs
	M3	30.00mm	Steel - Zinc plated With additional sealing grommet	121129-0069	1 Unit = 1 Bag with 100pcs
	M3	31.00mm	Steel - Zinc plated With additional sealing grommet	121129-0262	1 Unit = 1 Bag with 100pcs

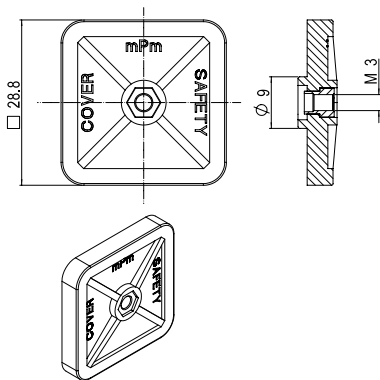
Gasket and screws, bagged spare parts for DIN valve connectors. Spare parts are developed specifically and can be used only with mPm DIN valve connectors.

1210130006 Cover cap for form A connector

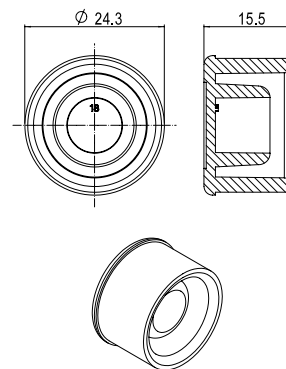
1211230038 Cover cap for form A bases

1211220400 Adaptor for corrugated tube on form A

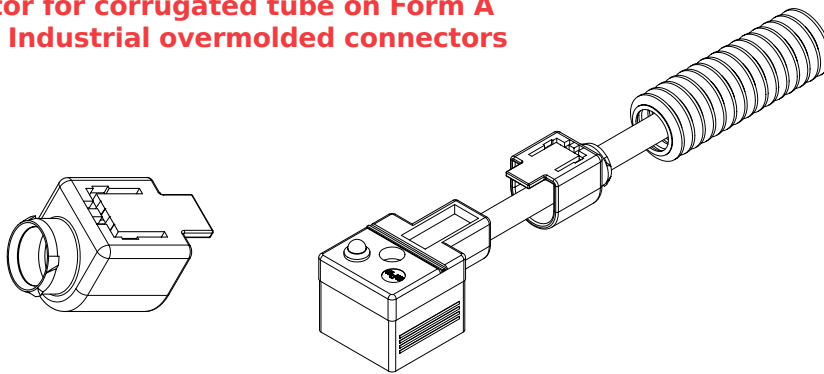
121013-0006 Cover cap for Form A Connector



121123-0038 Cover cap for Form A Bases

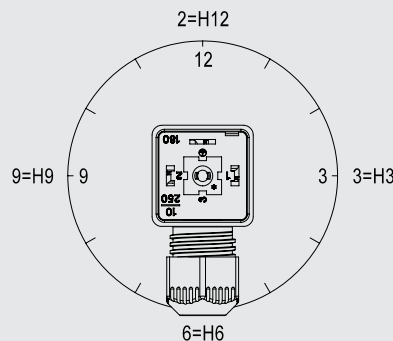


121122-0400 Adaptor for corrugated tube on Form A and B Industrial overmolded connectors



Ground PIN Position

Ground PIN position must be specified. For the range of mPm DIN valve connectors the position is noted looking at the face view of the connector with the cable gland (or cable exit) down below. In the H6 position the ground pin is at the bottom. In the H12 position the ground pin is at the top. Please note that the ground PIN position can be rotated 90° or 180° depending on the connector type.



For additional information on Molex Brad® product range please request a copy of the Molex Brad® Automation Catalogue from your local Sales representative.

All dimensions and product information included in this catalogue are for reference only. More detailed sales drawings are available for download on www.molex.com or upon request from your local Sales representative.

From time to time Molex reserves the right to add new part numbers or obsolete part numbers based on market demand, please check availability on www.molex.com.