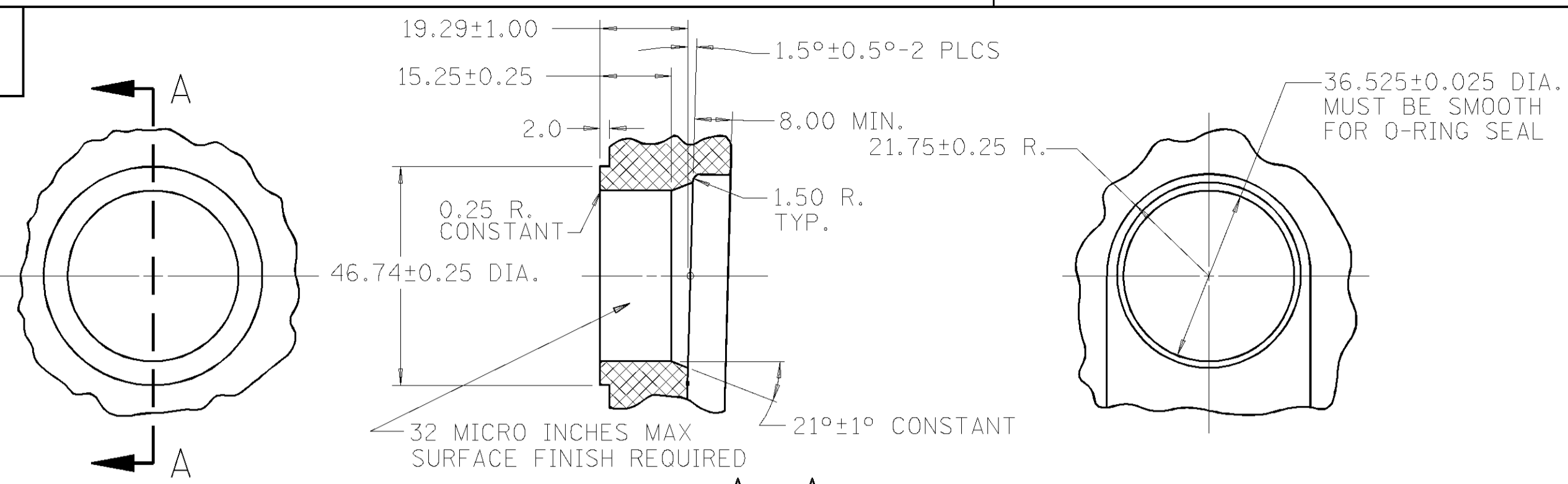


D THIS DRAWING AND DESIGN HEREON CONSTITUTES A PROPRIETARY DESIGN OF PACKARD ELECTRIC DIVISION AND IS NOT TO BE DUPLICATED OR REPRODUCED WITHOUT AUTHORITY OF PACKARD ELECTRIC DIVISION.

DO NOT SCALE

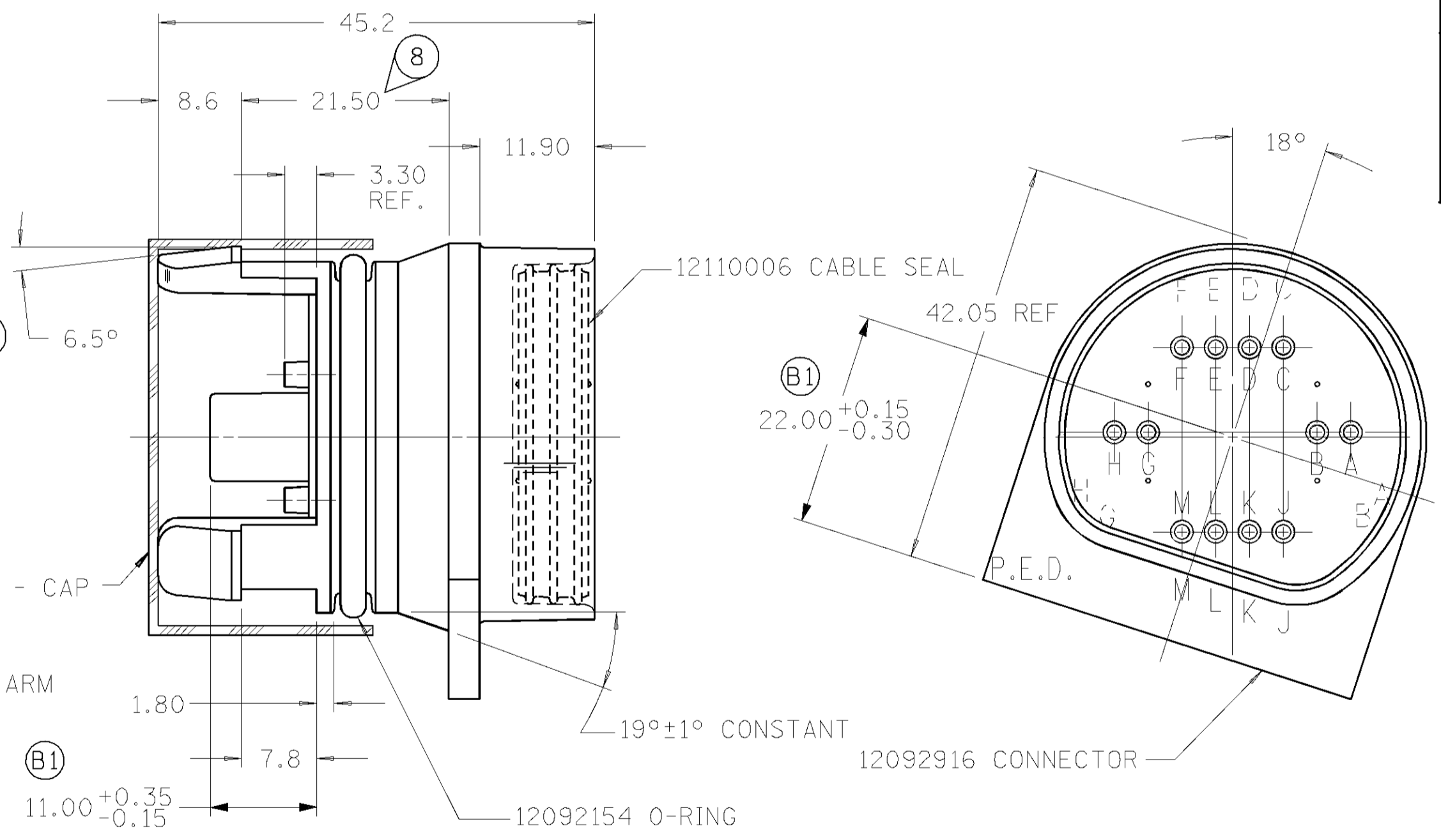
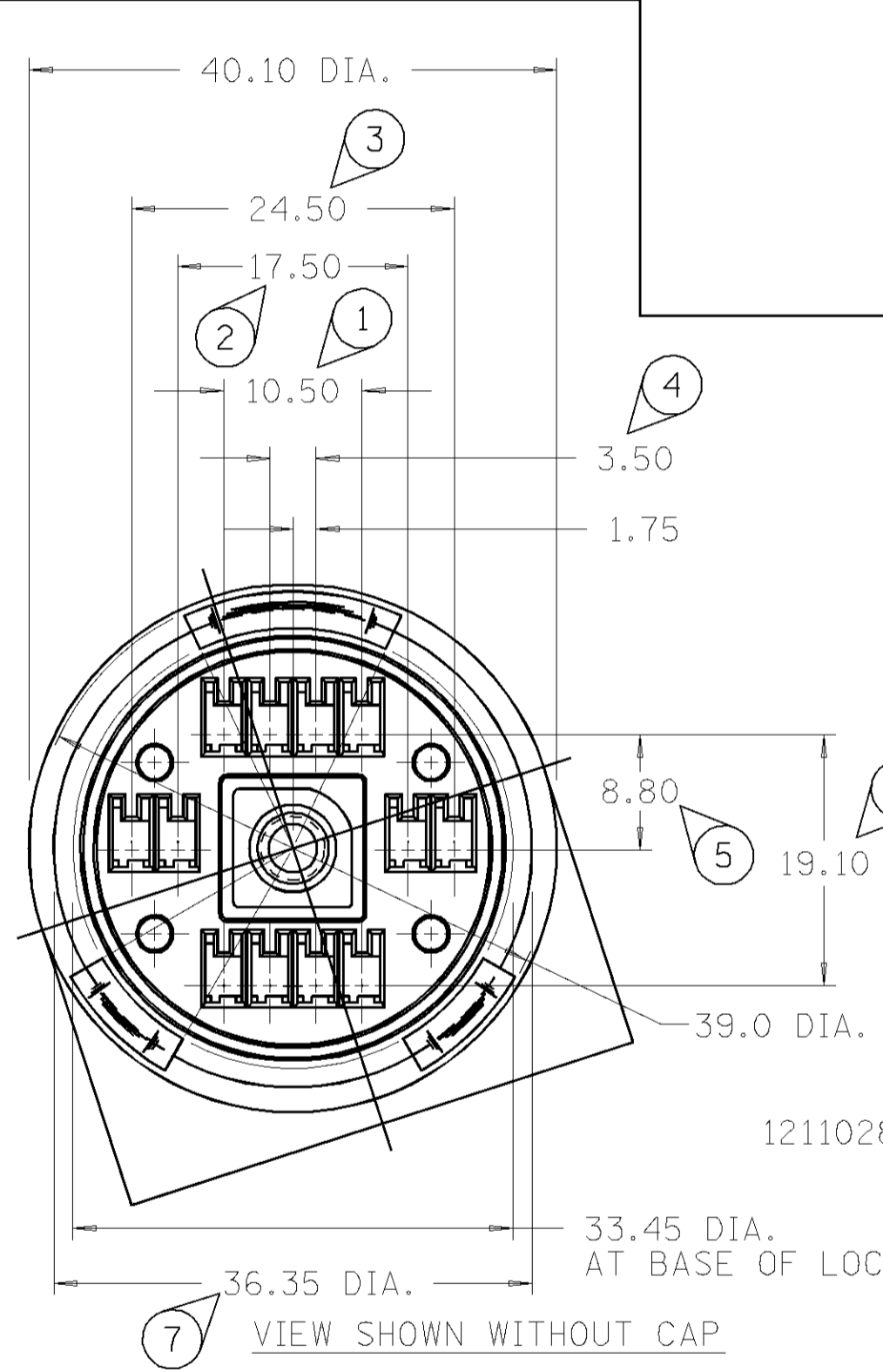


SECTION A-A

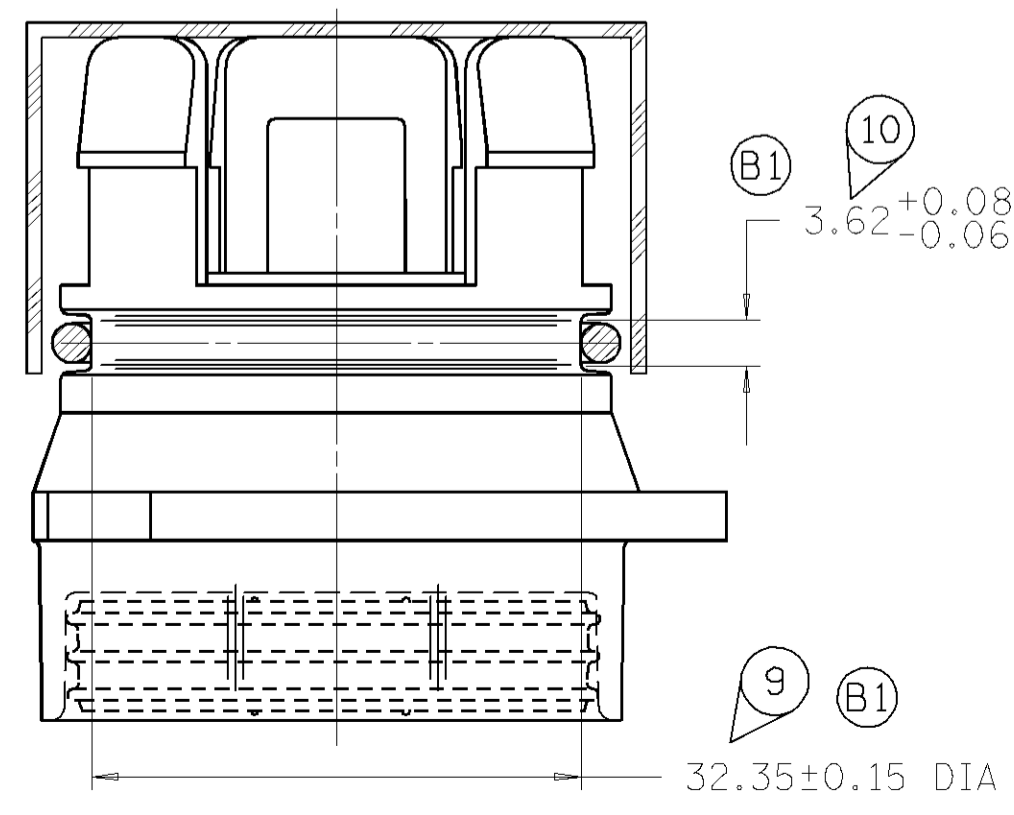
MOUNTING HOLE DETAIL
SCALE FULL

- NOTES** — 1. ALL RADII 0.40 R, UNLESS OTHERWISE SPECIFIED.
2. DIMENSIONS ARE TO FACE OF VIEW SHOWN UNLESS OTHERWISE INDICATED.
3. WHEN USING THIS INFORMATION FOR A NEW DESIGN, REQUEST THE LATEST COPY OF THIS PRINT FROM PACKARD ELECTRIC DIVISION.

PACKARD ELECTRIC DIVISION
GENERAL MOTORS CORPORATION
WARREN, OHIO



- NOTES** — 1. CAVITIES TO ACCEPT 12092135 TERMINAL OR EQUIVALENT. MAX CABLE O.D. MUST BE LESS THAN 2.70.
2. MAX. INSULATION CRIMP MUST BE LESS THAN 2.90 HIGH AND 2.70 WIDE.
3. MATING CONNECTOR ASSEMBLY 12110010 OR EQUIVALENT.
4. WHEN PARTS ARE SHIPPED THEY MUST BE PACKED IN PLASTIC BAGS OR SHIPPING CONTAINERS MUST BE LINE WITH PLASTIC LINERS. BAGS OR LINERS MUST BE SEALED TO AVOID ENTRY OR FOREIGN MATTER.
5. "O" DENOTES DIMENSIONS AND CHARACTERISTICS THAT ARE IMPORTANT TO THE FUNCTION AND/OR PROCESSING OF THE PART. IT DOES NOT NECESSARILY INDICATE AN SPC DIMENSION. THIS DRAWING HAS 10 SNOWCONES.



DATE	SYM	REVISION RECORD	AUTHORITY	DR	CK
28N089	A	P.E. DRAWING CREATION	890012	WLS	-
25JA90	—	WAS PE024105 & RELEASED	900005	DKS	DKS
25JL90	B	CAP ADDED	135159	ATL	ATL
09AP93	B1	ADDED DIMS 2 PLCS & REVISED			
		TOLERANCES TO 2 DIMS	155242	BAR	BAR

PART NO.
1211 0007

PED/INTEGRAPH <small>EMS</small>		FILE SPEC: ****USER**** DGN#SPECIFICATION***** ****SYTIME*****
THIRD ANGLE PROJECTION 		METRIC DIMENSIONS ARE IN MILLIMETERS UNLESS OTHERWISE SPECIFIED.
CODE NO. 6900	TOLERANCE UNLESS OTHERWISE SPECIFIED DECIMAL: ANGULAR ± 2° ONE PLACE ± 0.3 TWO PLACE ± 0.15	
Q.C. -C-5110	SCALE 2:1	DR. W.L.STEIN 28N089
DWG. DATE 28N089	CK. DAVID STEELE DATE 29JA90	APPR. KARL GRZENA DATE 29JA90
REFERENCE NO. 12084691	APPR. R.HEIDENREICH DATE 29JA90	
MATERIAL SPEC. SEE DRAWING		
NAME ASM CONN 12M M/P 150.1 P2S		
PART NO. 1211 0007	SIZE C	