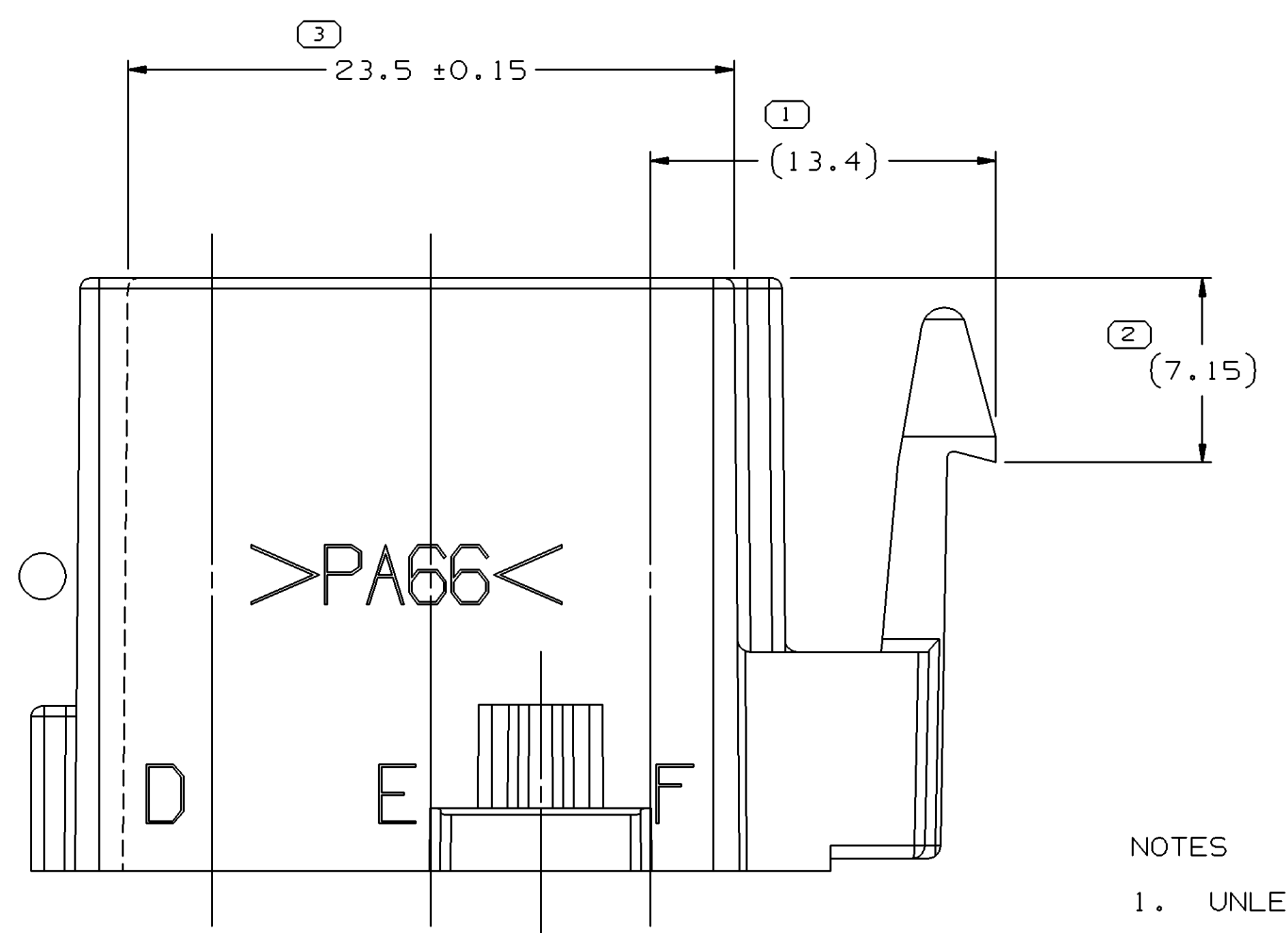
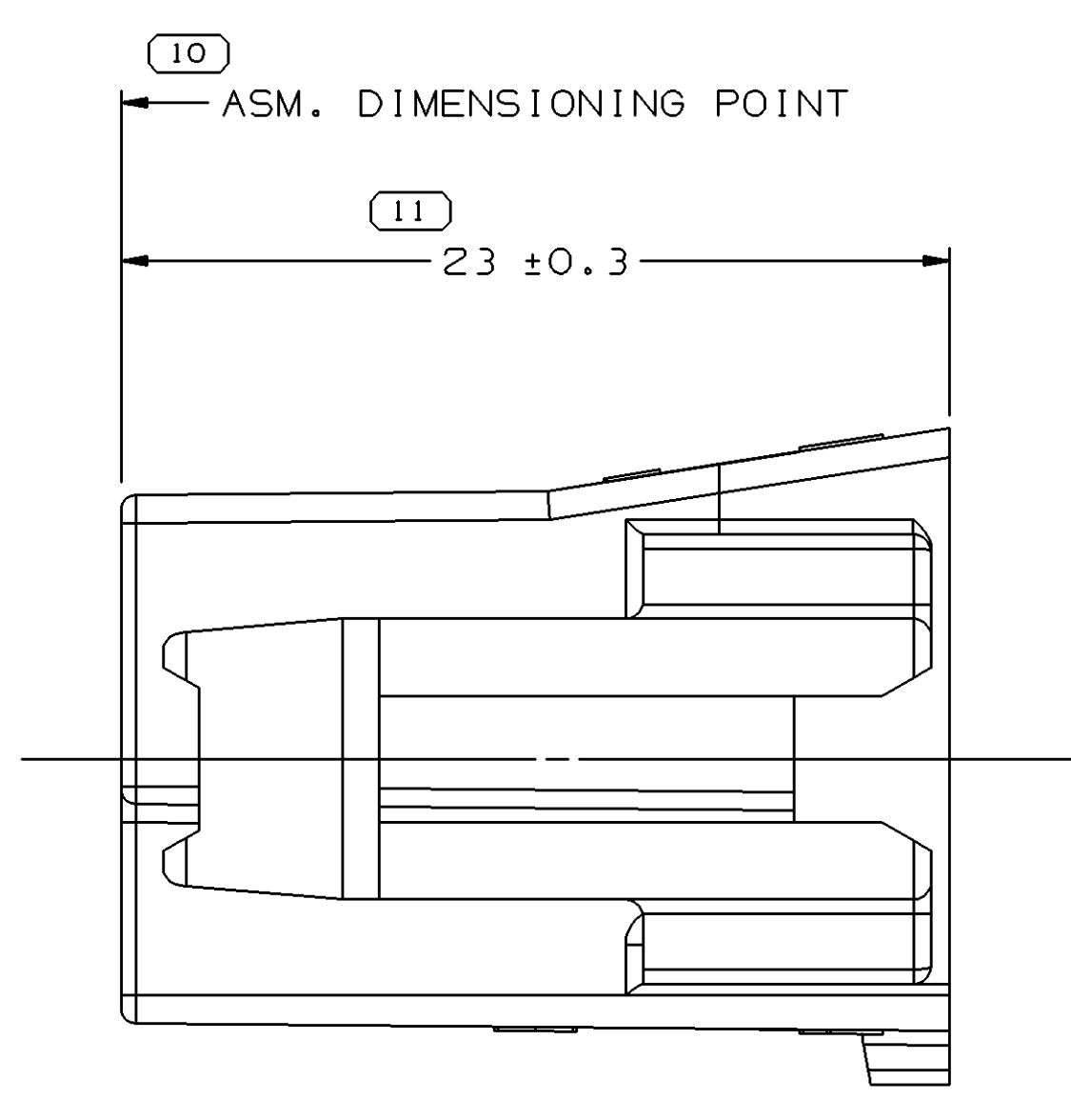
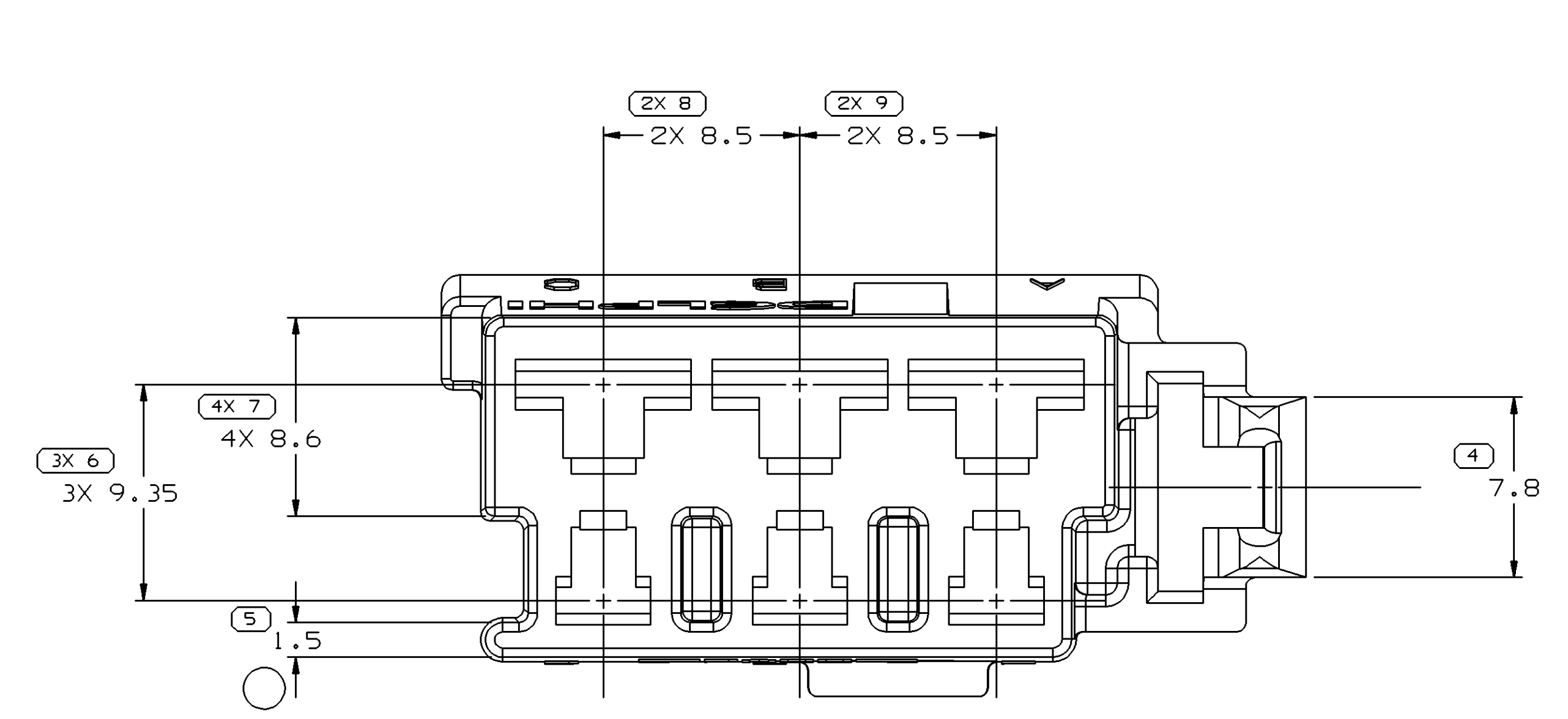
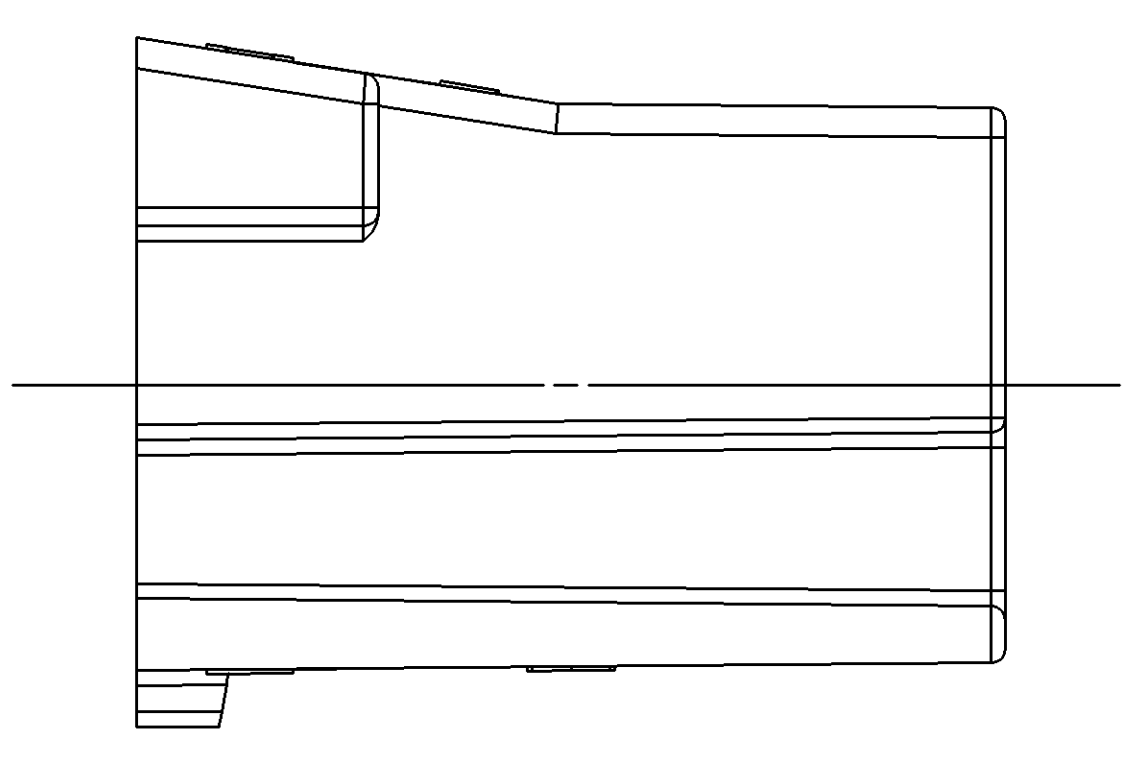
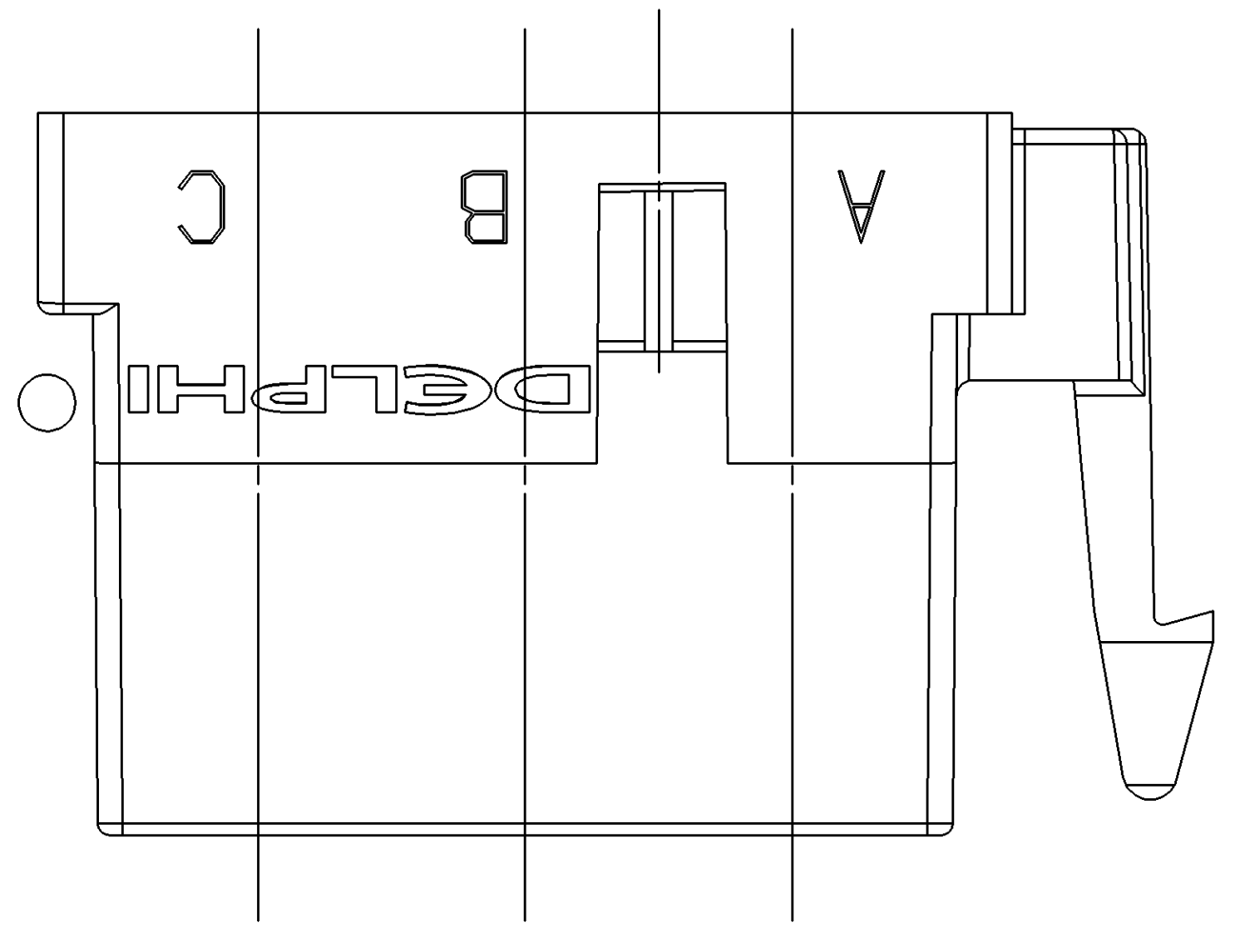


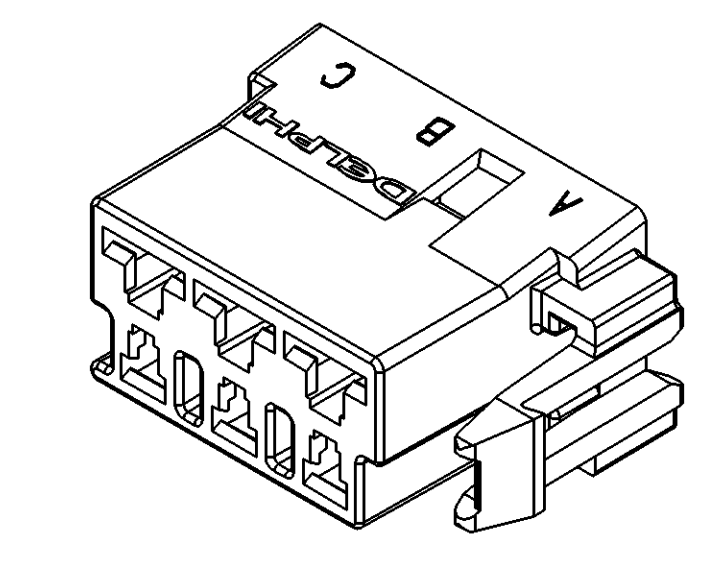
SYMBOL DEFINITION		TOTAL NO OF INSPECTIONS REQUIRED	
A DIMENSION WITHOUT AN INSPECTION REPORT SYMBOL DOES NOT REQUIRE INSPECTION. IT MAY BE CONTROLLED ON THE INDIVIDUAL COMPONENT DRAWING.		18	
		LAST NO. USED	11

MISSING SYMBOLS		REVISION HISTORY				AUTH	DR	APVD1	APVD2	
DATE	STG	REV	W/P	CHG	ZONE					
22FE05	R	C3	-	-		CLEARED REV COLUMN, REDRAWN TO PD AND UPDATED MAT'L SPEC	264681	JFB	JAA	ET
09JN05	R	C4	-	-		REVISED GRAPHICS	268957	MJM	MJM	BG
06JL05	R	O4	-	-		MAT'L SPEC WAS M3592002	269717	RTV	JVM	EST
05DE05	R	O4	AA	-		REVISED GRAPHICS: UPDATED DELPHI LOGO AND ADDED RECYCLING CODE, DIM #5 WAS 3X 1.5	275193	JPH	JAA	BDG



NOTES

- UNLESS OTHERWISE SPECIFIED AND/OR INDICATED:  
DIMENSIONS ARE TO FACE OF VIEW SHOWN AND AUTOMATICALLY ROUNDED BY COMPUTER FOR INSPECTION (SEE MATH MODEL FOR PRECISE DIMENSIONS). FOR ALL OTHER DIMENSIONS NOT SHOWN BUT REQUIRED FOR TOOL BUILD, SEE MATH MODEL FOR PRECISE TOOL PATH DATA.
- MATERIAL RECYCLING CODE PER ISO 11469. (2.3)X(0.1) CHARACTERS AS SHOWN TO BE LOCATED ON ANY EXTERIOR SURFACE. OPTIONAL CONSTRUCTION TO BE NO MATERIAL RECYCLING CODE.
- REFERENCE MATING COMPONENTS OR EQUIVALENT:  
BOC EUROCOLUMN IGNITION SWITCH 26014526,  
REFERENCE LAYOUT 12092222.
- THIS PART ACCEPTS THE FOLLOWING COMPONENTS OR EQUIVALENT:  
CAVITIES A, B & C TO ACCEPT 12066276 TERMINAL.  
MAX INSULATION CRIMP MUST BE LESS THAN 4.85 HIGH AND 7.5 WIDE.  
CAVITIES D, E & F TO ACCEPT 12020137 TERMINAL.  
MAX INSULATION CRIMP MUST BE LESS THAN 3.4 HIGH AND 4.2 WIDE.  
CAVITIES A, B & C TO ACCEPT 12085034 SECONDARY TERMINAL LOCK.  
CAVITIES D, E & F TO ACCEPT 12085033 SECONDARY TERMINAL LOCK.  
CONNECTOR POSITION ASSURANCE LOCK 12052834
- (1.5)X(0.1) DELPHI CORPORATE BRAND TO BE LOCATED ON ANY EXTERIOR SURFACE, PREFERABLY VISIBLE AT FINAL ASSEMBLY. OPTIONAL CONSTRUCTION TO BE "PED" OR NO LOGO.



VIEW SCALE DOES NOT REFLECT ACTUAL PART SIZE

DIMENSIONAL RANGE (MM)		CHART ET	
FROM	TO	FROM	TO
> 0	> 20	> 70	> 100
> 20	> 30	> 100	> 150
> 30	> 40	> 150	> 200
> 40	> 50	> 200	> 250
> 50	> 60	> 250	> 300
> 60	> 70	> 300	> 400

UNLESS OTHERWISE SPECIFIED  
DIMENSIONS ENCLOSED IN ( ) INDICATE REFERENCE DIMENSIONS AND NO TOLERANCE LIMITS ARE ESTABLISHED

PART DRAWING	
STYLE	
VOLUME (COP)	4,807
DISTR CODE	D
UNLESS OTHERWISE SPECIFIED THIS DOCUMENT IS IN ACCORDANCE WITH ASME Y14.5M-1994 AS AMENDED BY THE DIMENSIONAL DIMENSIONING AND TOLERANCING ADDENDUM-2001. SEPARATE PATTERNING OF FEATURES MAY BE OBTAINED SEPARATELY REGARDLESS OF DATUM REFERENCES.	
ALL DIMENSIONS ARE IN MILLIMETERS	
REFERENCE	

**DELPHI**  
DELPHI PACKARD ELECTRIC SYSTEMS  
WARREN, OH

DR	DATE
APVD1 TERRY MARRIE	28FE90
APVD2 TERRY MARRIE	28FE90
APVD3 JEFF W. HESTON	14MR90
APVD4	
APVD5	

SUBSTANCES OF CONCERN AND RECYCLED CONTENT PER DELPHI 10949001

MATERIAL M3592024 PA66 HS 1M CRM

DRAWING NAME  
CONN 6 F M/P 280 630

DRAWING NUMBER  
12110075

SIZE AO SCALE 5:1 FRAME NO 1 OF 1 SHEET NO 1 OF 1 STG REV W/P R 04 AA