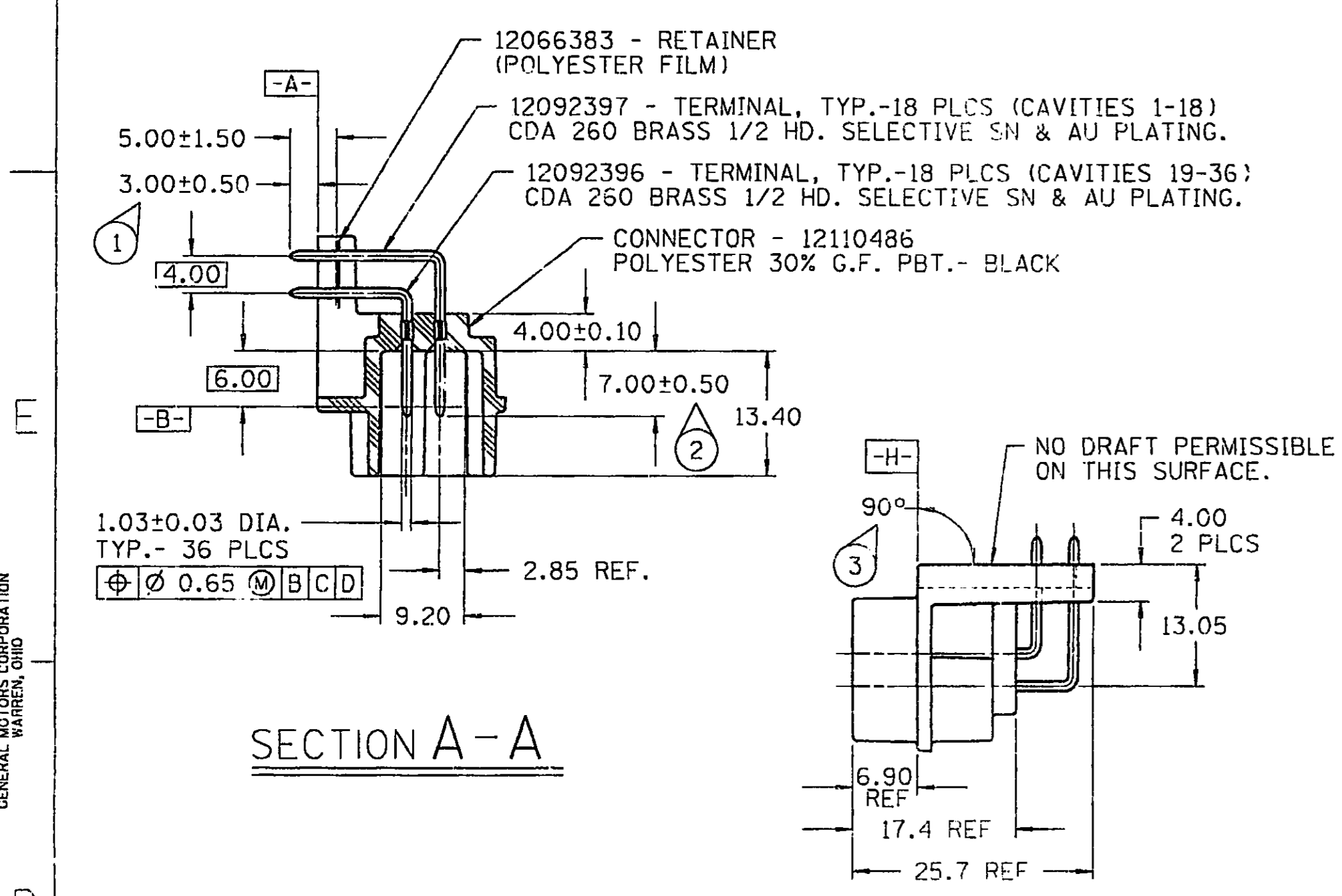
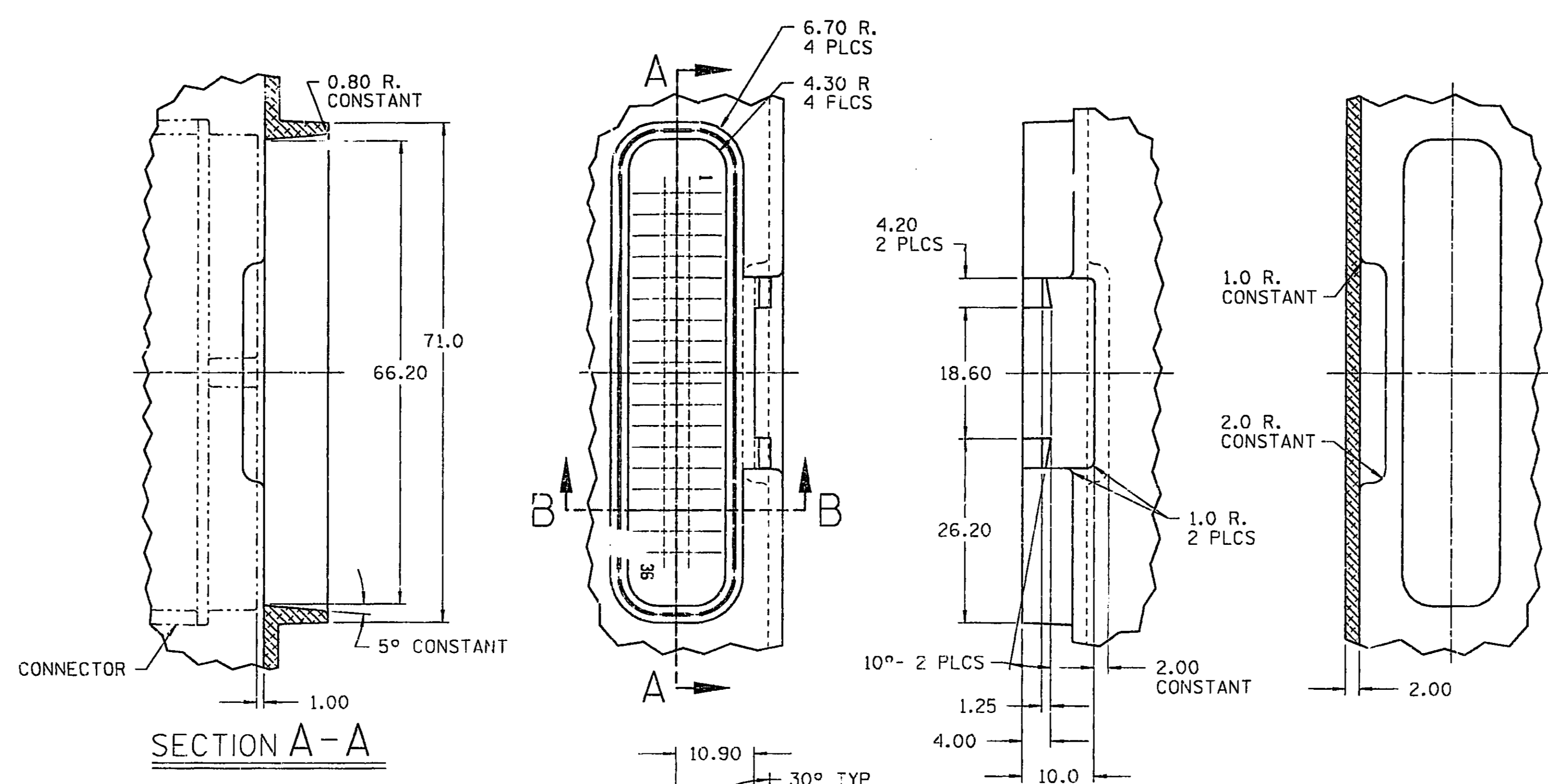
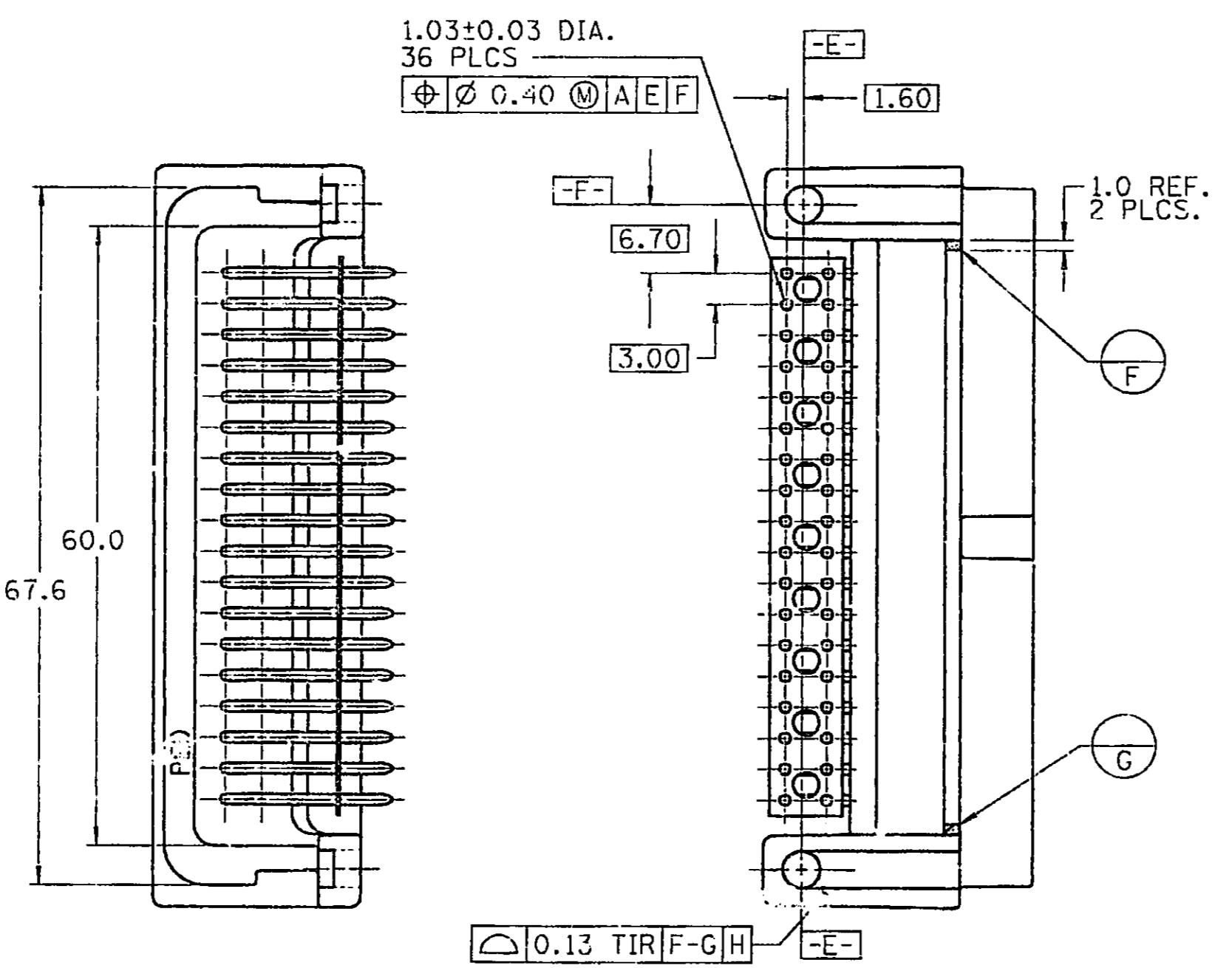
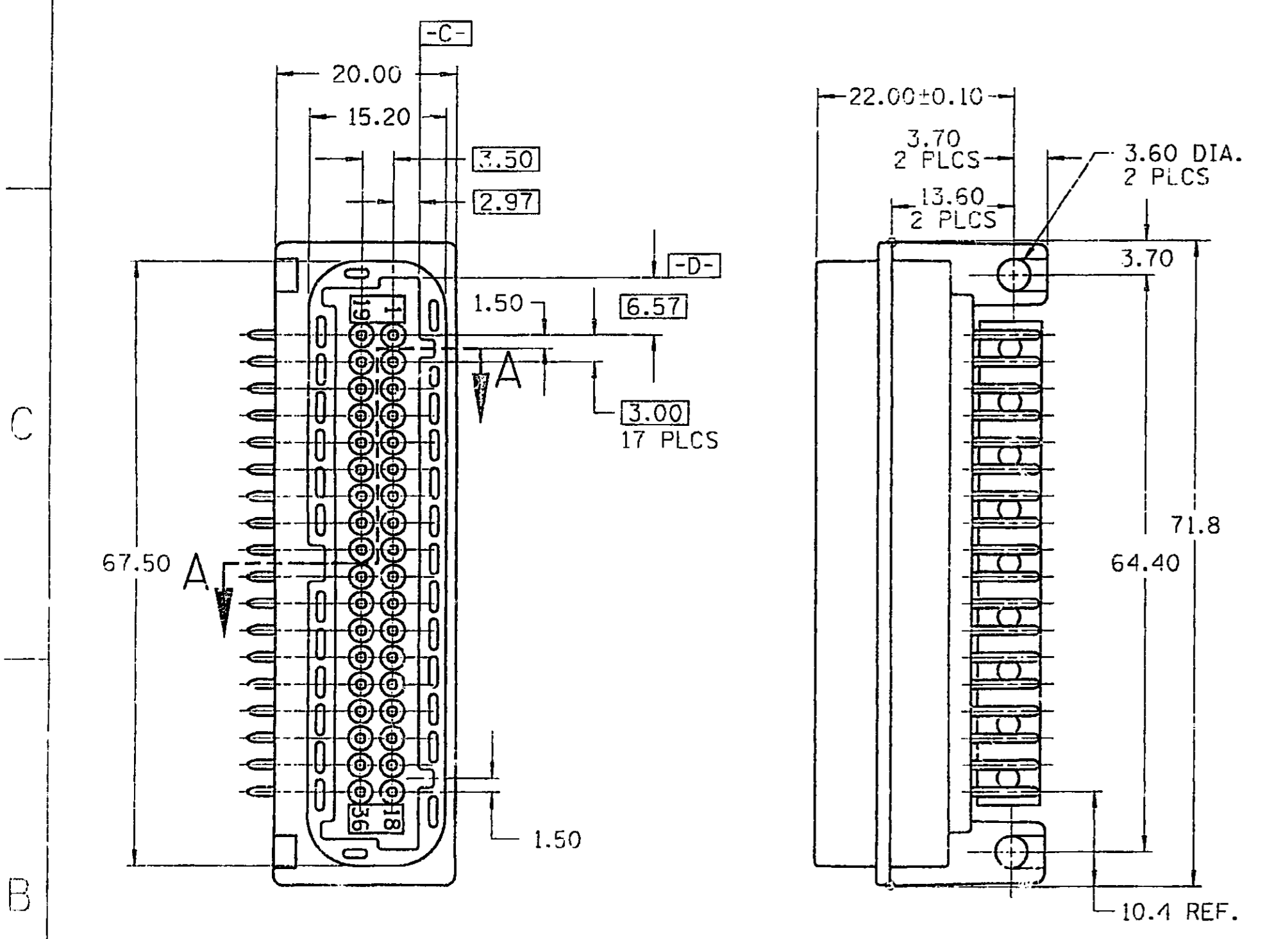


NOTES - 1. RECOMMENDED BOARD THICKNESS IS 1.50 MM.
2. SOLDER - THRU HOLE RECOMMENDED.

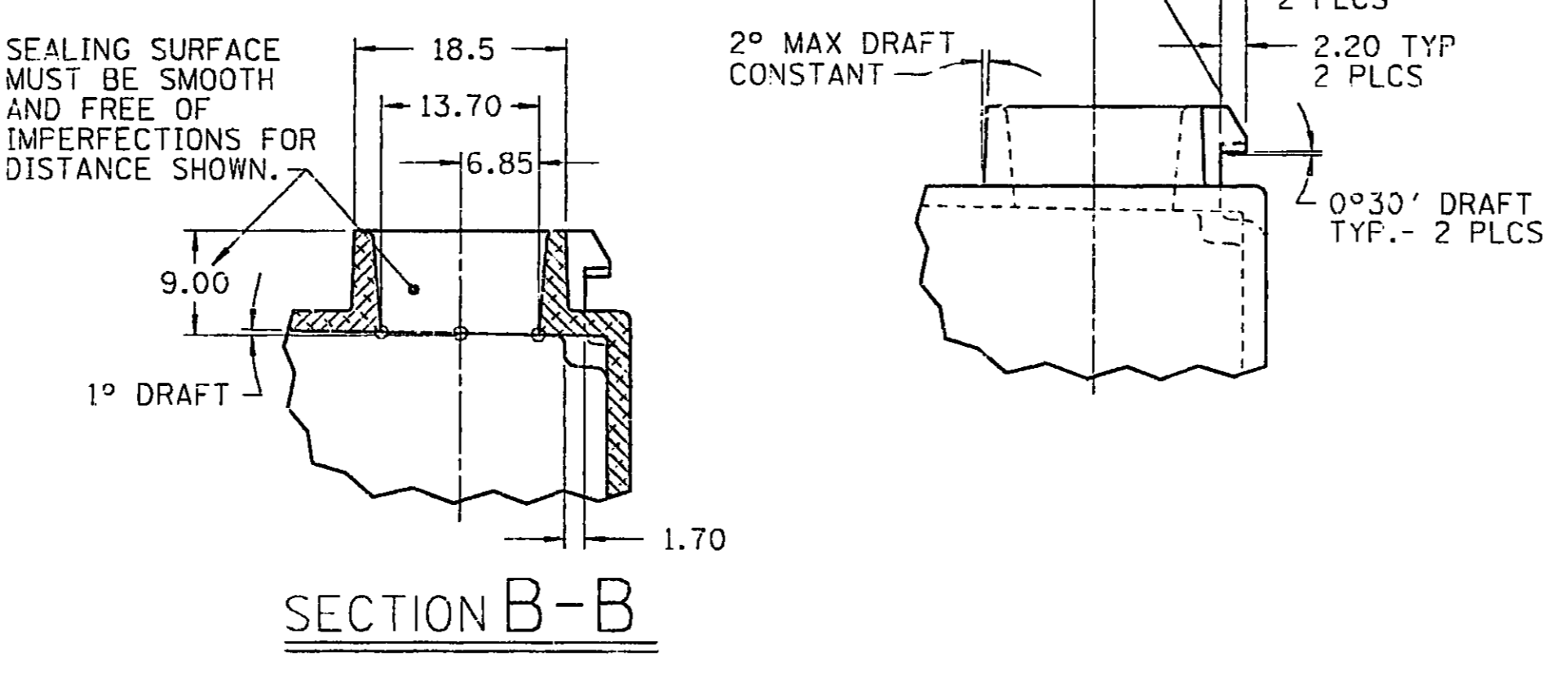
MATING CIRCUIT BOARD
CONNECTOR MATING SIDE
SCALE 2:1



SECTION A-A



SECTION A-A



SECTION B-B

NOTES - 1. ALL RADII 0.40, UNLESS OTHERWISE SPECIFIED.
2. DIMENSIONS ARE TO FACE OF VIEW SHOWN, UNLESS OTHERWISE INDICATED.
3. WHEN USING THIS INFORMATION FOR A NEW DESIGN REQUEST THE LATEST COPY OF THIS PRINT FROM PACKARD ELECTRIC DIVISION.

MATING INFORMATION
SCALE 2:1
CAST SEALING SHROUD

- NOTES - 1. DIMENSIONS ARE TO FACE OF VIEW SHOWN, UNLESS OTHERWISE INDICATED.
2. PARTS SHOULD BE PLACED IN CLEAN PLASTIC TUBS OR PANS LINED WITH POLYETHYLENE BAGS, WHERE PRACTICAL, DURING PROCESSING AND STORAGE. IN ALL CASES, IN-PROCESS HANDLING MUST OCCUR WITH DUE CARE SO AS TO INSURE PED CUSTOMERS RECEIVE CLEAN, UNDAMAGED PARTS. PARTS MUST BE PACKAGED IN A MANNER THAT INSURES TERMINAL PIN LOCATION AFTER PROCESSING. IF SOFT PADDING IS REQUIRED IT MUST BE OF A PASSIVATED MATERIAL.
3. HEADER TO ACCEPT 12110488 RETAINER AND 12110487 CONNECTOR, OR EQUIVALENTS.
4. THIS ASM. TO ACCEPT 12110299 C.P.A. (CONNECTOR POSITION ASSURANCE) LOCK, OR EQUIVALENT.
5. SEALING CODE - 3.
6. PIN SOLDERABILITY - SEE ESO-1503
7. PARTS MUST MEET SPECIFICATION C-4006, CLASS I, WITH THE FOLLOWING QUALIFICATIONS:
* HIGH TEMP. STORAGE - CONDITION C
* THERMAL CYCLING - CONDITION D
* MECHANICAL SHOCK - CONDITION B
* DUST - CONDITION E1
* CURRENT CYCLING - CONDITION A (10 AMPS)
* CHEMICAL RESISTANCE - CONDITION A - (1 MIN.) FOR FOLLOWING:
- DIESEL FUEL (#2)
- BRAKE FLUID
- AUTOMATIC TRANSMISSION FLUID
- ENGINE COOLANT
- WINDSHIELD WASHER SOLVENT
- GASOLINE
- POWER STEERING FLUID
- OIL (#3)
- GASOHOL
8. PART MEETS REQUIREMENTS OF CAHIEP DES CHARGES 3605019 (RENAULT).
9. Ⓞ DENOTES DIMENSIONS AND CHARACTERISTICS THAT ARE IMPORTANT TO THE FUNCTION AND/OR PROCESSING OF THE PART. IT DOES NOT NECESSARILY INDICATE AN SPC DIMENSION. THIS DRAWING HAS 3 SNOWCONES.

PART NO 1211 0485

DATE	SYM	REVISION RECORD	AUTH	DR	EX
06FE90	A	PE DRAWING CREATED	900012	RLF	-
14WR90	A1	REVISED MATING INFO. MATION	133807	RLF	JRM
25SE90	B	REVISED TERMINAL LEAD-IN CHAMFER; ADDED DATUM "F".	136280	RLF	RLF
06DE90	C	REVISED GRAPHICS OF 12110486 CONN. WAS PEO24160 & RELEASED	900005	JC	JC
16A91	C1	ADDED 22.00±0.10 DIM	143098	TS	JC
19MY92	C2	REDRAWN FROM "D" SIZE PER CUSTOMER REQUEST	149213	RVD	BKD
14JL92	C3	ADDED NOTE #8	150083	BAR	BAR
17AU92	D	REMOVED 1.50 & REVISED MOUNTING FEET	151216	BAR	BAR
24FE93	D1	O.C. WAS C-5129	930004	HH	HH
03NC93	D2	REVISED NOTES #3, #4 & #5 AND ADDED "CAST SEALING SHROUD"	157172	FEB	FEB

PART NO 1211 0485

PART NO 1211 0485

WARNING
GEOMETRY MAY NOT BE DRAWN TO SCALE

THE FOLLOWING ITEMS APPLY UNLESS OTHERWISE SPECIFIED:
FOR FEATURES-OF-SIZE, PERFECTION, STRAIGHTNESS NOT REQUIRED AT MMC AND LMC. SURFACE MATERIAL CONDITION INDICATED. TIR (PROFILER TOLERANCES) AND RELATED DATUMS APPLY TO ALL SURFACES UNLESS OTHERWISE SPECIFIED. DIMENSIONS UNLESS OTHERWISE SPECIFIED:
DIMENSIONS ARE IN MILLIMETERS UNLESS OTHERWISE SPECIFIED.
TOLERANCE UNLESS OTHERWISE SPECIFIED:
ONE PLACE DECIMAL
TWO PLACE DECIMAL
THREE PLACE DECIMAL
ANGULAR ±"
OR RLL FINK
OR RLL FINK

GEOMETRIC DRAWING SYMBOLS:	SYMBOL	DESCRIPTION
—	FLAT	FLAT
—	STRAIGHT	STRAIGHT
—	THICK POSITION	THICK POSITION
—	PROFILE OF A SURFACE	PROFILE OF A SURFACE
—	PARALLEL	PARALLEL
—	PERPENDICULAR	PERPENDICULAR
—	MAXIMUM MATERIAL CONDITION (MMC)	MAXIMUM MATERIAL CONDITION (MMC)
—	MINIMUM MATERIAL CONDITION (LMC)	MINIMUM MATERIAL CONDITION (LMC)
—	DIAMETER	DIAMETER
—	ROUND	ROUND
—	ANGULAR	ANGULAR
—	CYLINDRICAL	CYLINDRICAL
—	SYMMETRICAL	SYMMETRICAL
—	FILE OF A LIT.	FILE OF A LIT.
—	PROFILER TOL. ZONE	PROFILER TOL. ZONE
—	BASE DIMENSION	BASE DIMENSION

PACKARD ELECTRIC DIVISION
GENERAL MOTORS CORPORATION
WARREN, OHIO

FILE: ASM 2/07/93/12110485.dwg
SPEC: 82-0029-1/13 06/93

THIRD ANGLE PROJECTION

METRIC
DIMENSIONS ARE IN MILLIMETERS UNLESS OTHERWISE SPECIFIED

CODE NO 6900
TOLERANCE UNLESS OTHERWISE SPECIFIED:
ONE PLACE DECIMAL
TWO PLACE DECIMAL
THREE PLACE DECIMAL
ANGULAR ±"

OC -C-5171
DATE 06FE90
SCALE 2:1

EST. NO. 12092436
DATE 07DE90

REFERENCE NO. 12092436
DATE 07DE90

MINI-THERMAL SPEC
SEE NOTES

NAME
ASM CONN 36M MIC/P 100W

PART NUMBER 1211 0485

SIZE A0

PACKARD ELECTRIC DIVISION
GENERAL MOTORS CORPORATION
WARREN, OHIO

8800151