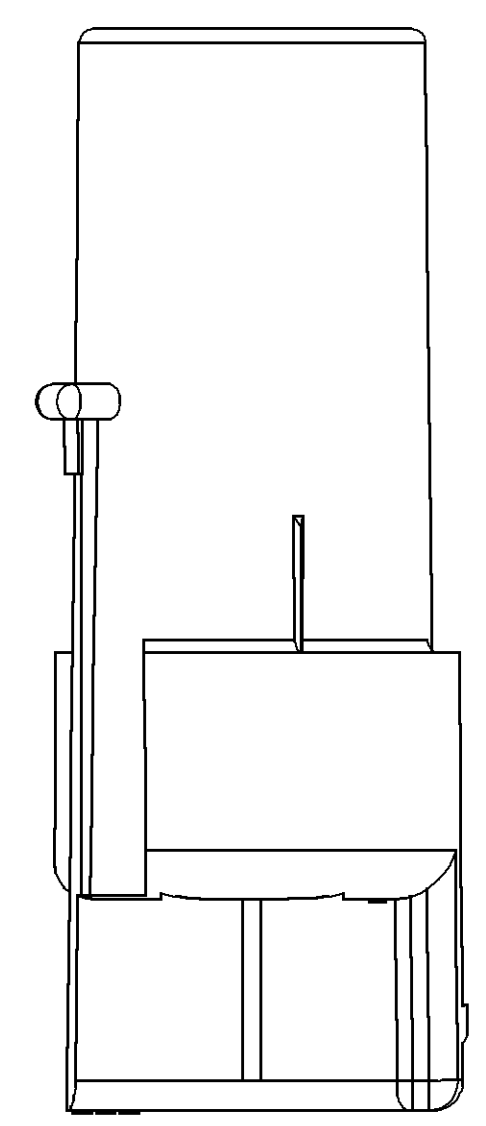
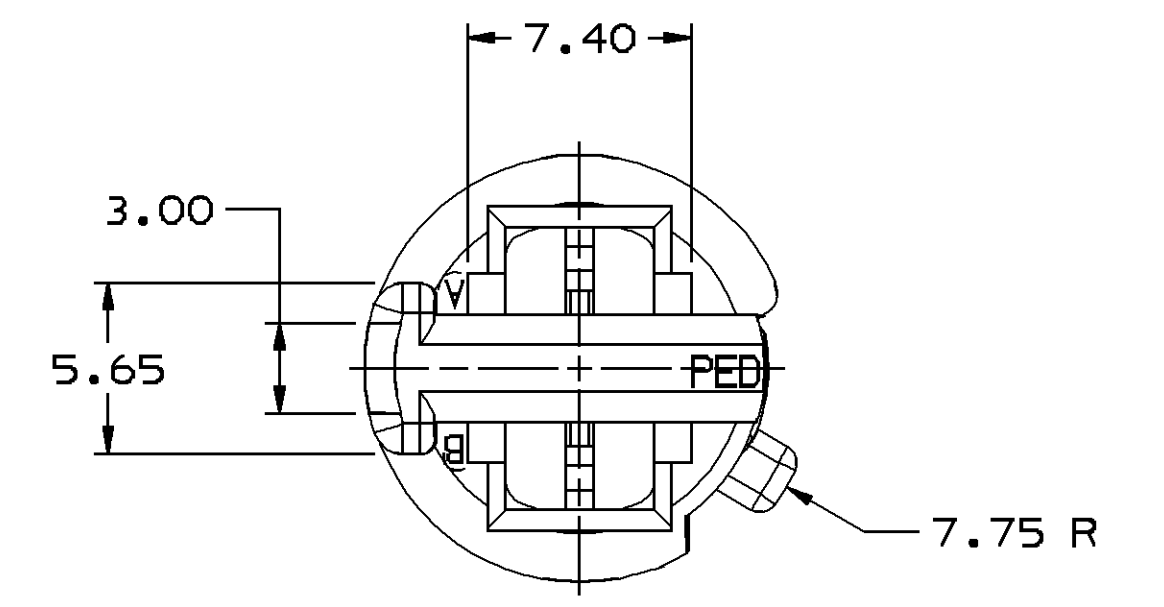
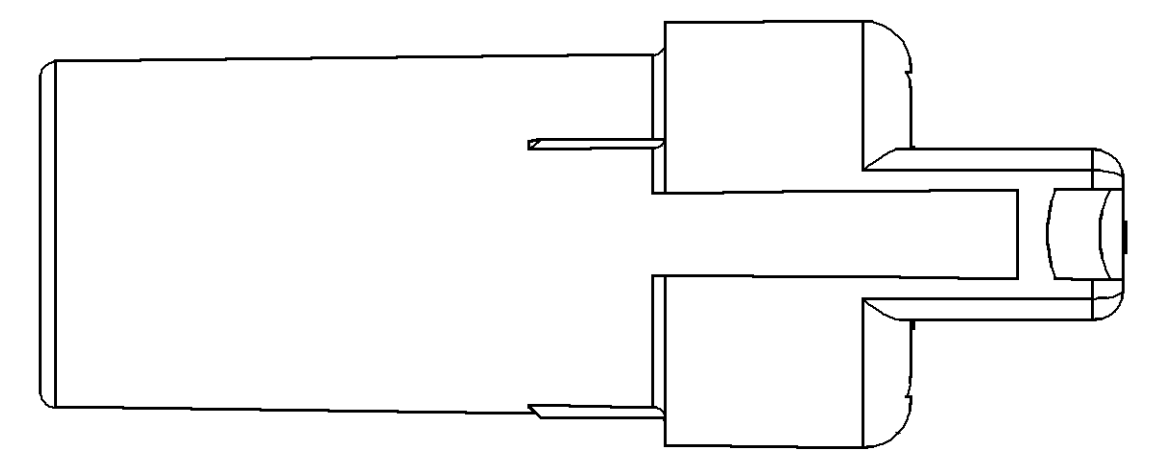
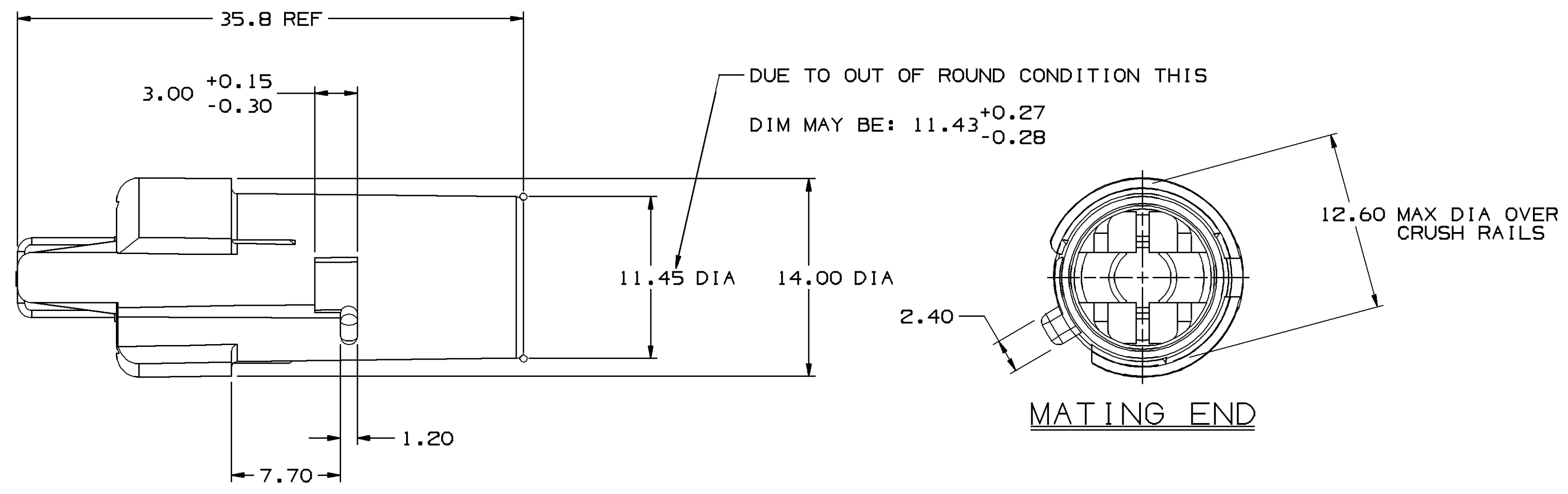
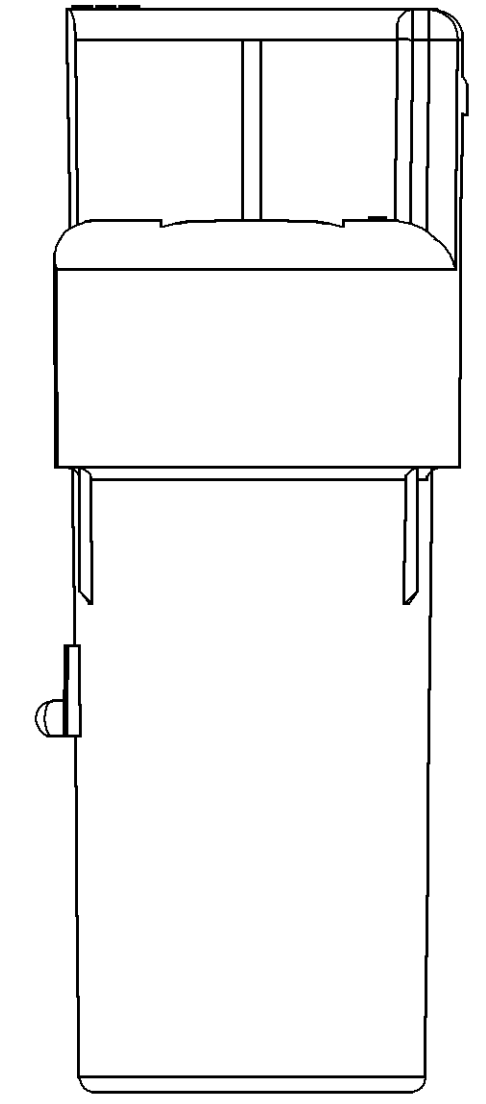
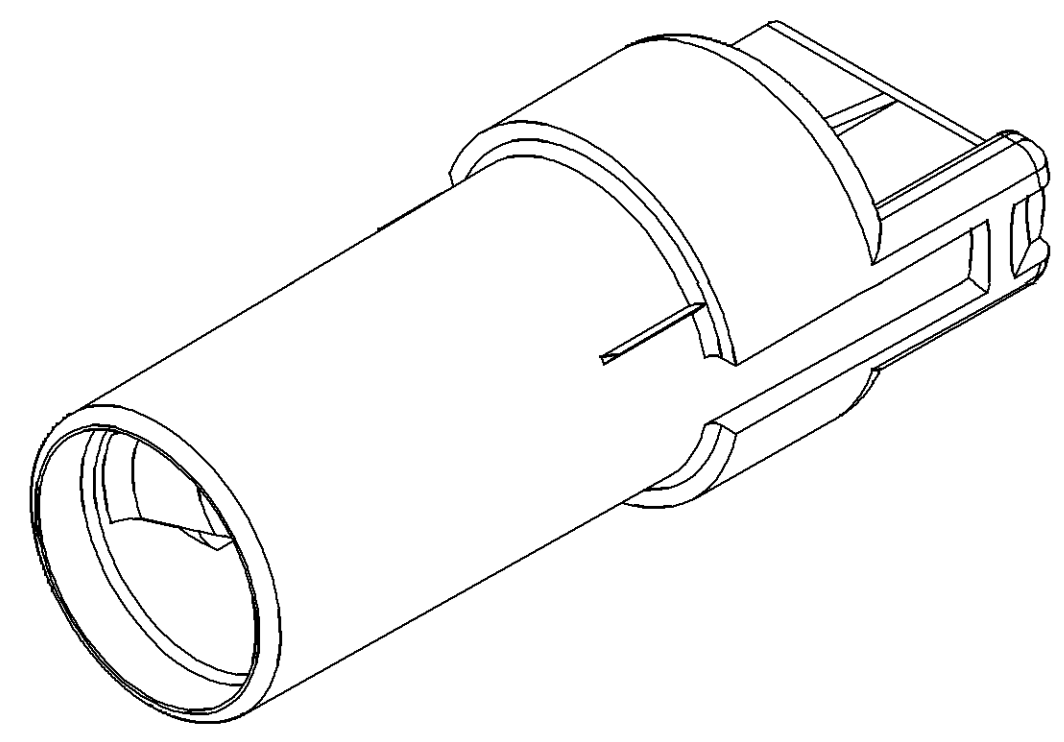


DO NOT SCALE

DELPHI PACKARD ELECTRIC SYSTEMS
WARREN, OHIO 44466

PART NO
1212 4722

DATE	SYM	REVISION RECORD	AUTH	DR	CK
03AU98	A2	REDRAWN	980007	JTC	RPC
14MR06	A3	UPDATED PDM ATTRIBUTES	278520	GFS	JVM



PART NO
1212 4722

NOTES

- UNLESS OTHERWISE SPECIFIED AND/OR INDICATED: DIMENSIONS ARE TO FACE OF VIEW SHOWN AND AUTOMATICALLY ROUNDED BY COMPUTER FOR INSPECTION. (SEE MATH MODEL FOR PRECISE DIMENSIONS.) FOR ALL OTHER DIMENSIONS NOT SHOWN BUT REQUIRED FOR TOOL BUILD, SEE MATH MODEL FOR PRECISE TOOL PATH DATA.
- CAVITIES ACCEPT TERMINAL 12089062 OR EQUIVALENT.
- DIMENSIONS MARKED "REF" ARE FOR REFERENCE ONLY, AND NO TOLERANCE LIMITS ARE ESTABLISHED.

TOLERANCE UNLESS OTHERWISE SPECIFIED	DECIMAL:	ANGULAR: ± 2
	ONE PLACE ± 0.3	
	TWO PLACE ± 0.15	

DRAWING TYPE PID	OTHER DRAWINGS AVAILABLE DETAIL
THIRD ANGLE PROJECTION	
CODE NO 6900	OC
DWG DATE 08FE93	DES
SCALE 4:1	DR TERRY MARRIE 08FE93
REFERENCE NO	CK TERRY MARRIE 08FE93
	APPR M. MASAS 10FE93
	VOL cm ³ 2.390
MATERIAL SPEC R0071784 PA66 HS IM-GRA MD	
NAME LP SOC WGE BSE W2	
PART NUMBER 1212 4722	SIZE A1

User: cnpzy/ Part: 12124722-CUS01-501 Date: 21-Apr-06 Time: 12:38 Page: 1