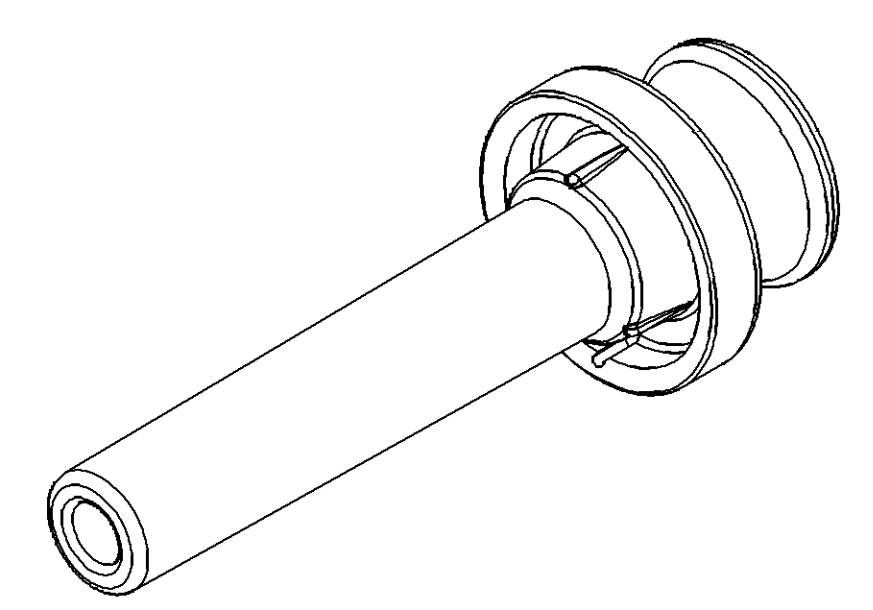
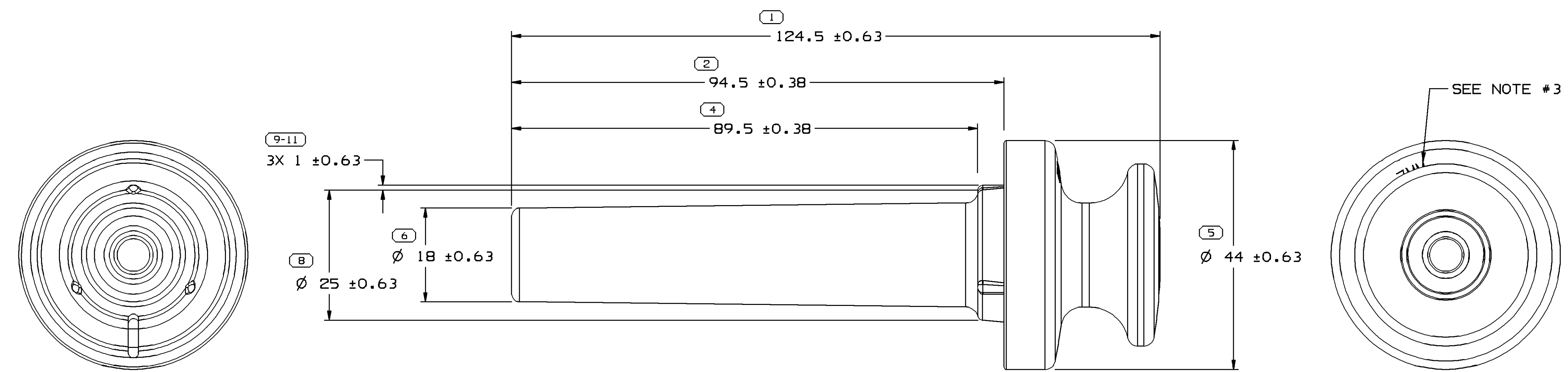


SYMBOL DEFINITION		MISSING NUMBERS	DWG STATUS				REVISION HISTORY				AUTH	DR	APVD1	APVD2	
DATE	STG	REV	N/P	CHG	ZONE	DATE	STG	REV	N/P	CHG					
02DE93	R	A	-	-							DESIGN COMPLETED	-	JCH	-	
14JA94	R	A1	-	-							RELEASED	940005	HH	HH	
15JN99	R	A2	-	-							REDRAWN TO PD/TOD FORMAT	990009	JCH	JCH	
22SE99	R	A3	-	-							REV'D DWG TO STANDARDS	197201	JCH	JCH	
20SE06	R	A4	-	-							DEED WAS PED OR DELPHI IN NOTE #3 AND MAT'L SPEC WAS R0066249	284714	GPS	AMG	RAT



NOTES:

1. UNLESS OTHERWISE SPECIFIED AND/OR INDICATED: DIMENSIONS ARE TO FACE OF VIEW SHOWN AND AUTOMATICALLY ROUNDED BY COMPUTER FOR INSPECTION. (SEE MATH MODEL FOR PRECISE DIMENSION) FOR ALL OTHER DIMENSIONS NOT SHOWN BUT REQUIRED FOR TOOL BUILD, SEE MATH MODEL FOR PRECISE TOOL PATH DATA.
2. ALL RADII 0.8 UNLESS OTHERWISE SPECIFIED.
3. D.E.E.D. AND CAVITY NUMBER ARE 2.3 REF. X 0.1 RAISED AND ARE LOCATED ON ANY EXTERIOR SURFACE VISIBLE AT FINAL ASSEMBLY.
4. 1° DRAFT PERMISSIBLE ON ALL OUTSIDE SURFACES.

QUALIFICATION NOTE - PARTS TESTED TO ES-T-486.HAVE A MINIMUM AVERAGE DIELECTRIC BREAKDOWN VALUE OF 27KV.(RMS) WITH NO TEST VALUE LESS THAN 23KV.(RMS)

8 PROCESS SENSITIVE DIMENSION	
DIMENSIONS ENCLOSED IN () INDICATE REFERENCE DIMENSIONS AND NO TOLERANCE LIMITS ARE ESTABLISHED	
DIMENSIONAL RANGE (MM)	CHART C
FROM > 0	>25 >60 >80
TO 25 60 80 >80	
TOLERANCE UNLESS OTHERWISE SPECIFIED	
±0.3	±0.5 ±0.6 ±0.75%
ANGULAR TOLERANCE ±2°	

DWG TYPE		PART DRAWING	
STYLE			
VOLUME (CM ³)	DISTR CODE		
44.437	D		
UNLESS OTHERWISE SPECIFIED			
THIS DOCUMENT IS IN ACCORDANCE WITH ASME Y14.5M-1994 AS AMENDED BY THE GM GLOBAL DIMENSIONING AND TOLERANCING ADDENDUM-2001. SEPARATE PATTERNS OF FEATURES MAY BE BAGGED SEPARATELY REGARDLESS OF DATUM REFERENCES.			
ALL DIMENSIONS ARE IN MILLIMETERS			
REFERENCE		12132231	
THIRD ANGLE PROJECTION	DO NOT SCALE	UNIGRAPHICS	
USE MATH DATA			

DELPHI			
DELPHI PACKARD ELECTRIC SYSTEMS WARREN, OH			
DR VINCE TURA		DATE 220C93	
APVD1 JAMES HOLMES		02DE93	
APVD2 -		-	
APVD3 VINCE TURA		220C93	
APVD4			
APVD5			
SUBSTANCES OF CONCERN AND RECYCLED CONTENT PER DELPHI 10949001			
MATERIAL M4990002 SILICONE BLACK			
DRAWING NAME			
SLEV BOOT IGN BLK			
DRAWING NUMBER			
12132262			
SIZE A1	SCALE 2:1	FRAME NO 1 OF 1	SHEET NO 1 OF 1
STG R	REV A4	N/P -	