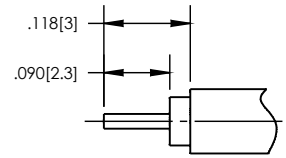


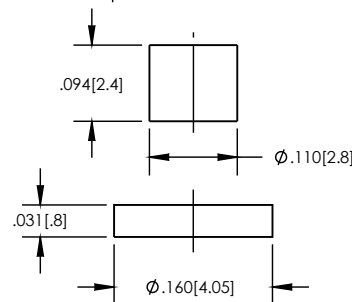
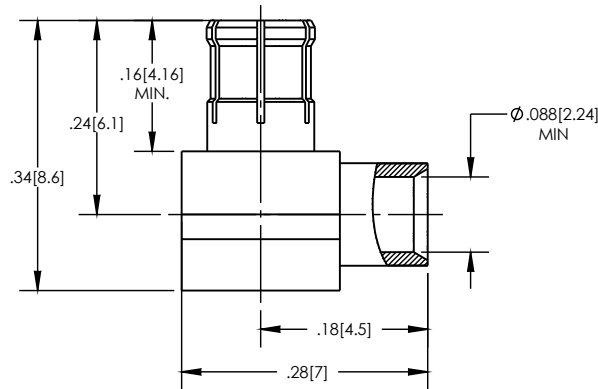
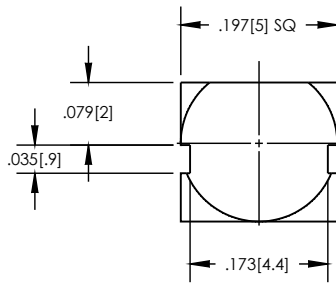
NOTES: UNLESS OTHERWISE SPECIFIED

- FOR USE WITH RG-405 OR EQUIVALENT CABLE.
- MATERIAL SPECIFICATIONS:
INSULATOR: PTFE
SPACER: DELIN , COLOR: NATURAL
OUTER CONTACT; BERYLLIUM COPPER
ALL OTHER METAL PARTS: BRASS
- FINISH SPECIFICATIONS:
CONTACT: .000003 MIN THICK GOLD OVER .000050 MIN THICK NICKEL
ALL OTHER METAL PARTS: THIN GOLD OVER .000050 MIN THICK COPPER
- ELECTRICAL SPECIFICATIONS:
IMPEDANCE: 50 OHMS
FREQUENCY RANGE: DC TO 6 GHz
VSWR: 1.5 MAX
- CAP AND SPACER SHIPPED LOOSE.
- RoHS COMPLIANT.

| REV | DESCRIPTION | BY | APPD |
|-----|-------------|----------|------|
| | | DATE | |
| A | ER055647 | 11/05/14 | MARK |



RECOMMENDED
CABLE STRIPPING DIMS



PER ASME Y14.5M-1994
UNLESS OTHERWISE SPECIFIED:
DIMENSIONS ARE IN INCHES [MM]
TOLERANCES:
DECIMAL: .XX [XX] ± .01 [0.3]
XXX [XXX] ± .005 [0.13]
XXXX [XXXX] ± .000X

ANGLES: ± 2° SCALE: XX

CUSTOMER
SALES DRAWING



| DRAWN | DATE | APPROVED | DATE |
|----------|----------|----------|----------|
| MS | 11/05/14 | MARK | 11/05/14 |
| APPROVED | DATE | APPROVED | DATE |
| XXX | XX/XX/XX | XXX | XX/XX/XX |

WINCHESTER Winchester Electronics Corporation
ELECTRONICS 199 Park Road Ext Suite 104
Middlebury, Connecticut 06762

MCX RIGHT ANGLE DIRECT SOLDER
PLUG FOR RG-405CABLE

| REV | DESCRIPTION | QTY | OF | REV |
|-----|--------------|-----|----|-----|
| A | 1213A204-405 | 1 | 1 | A |