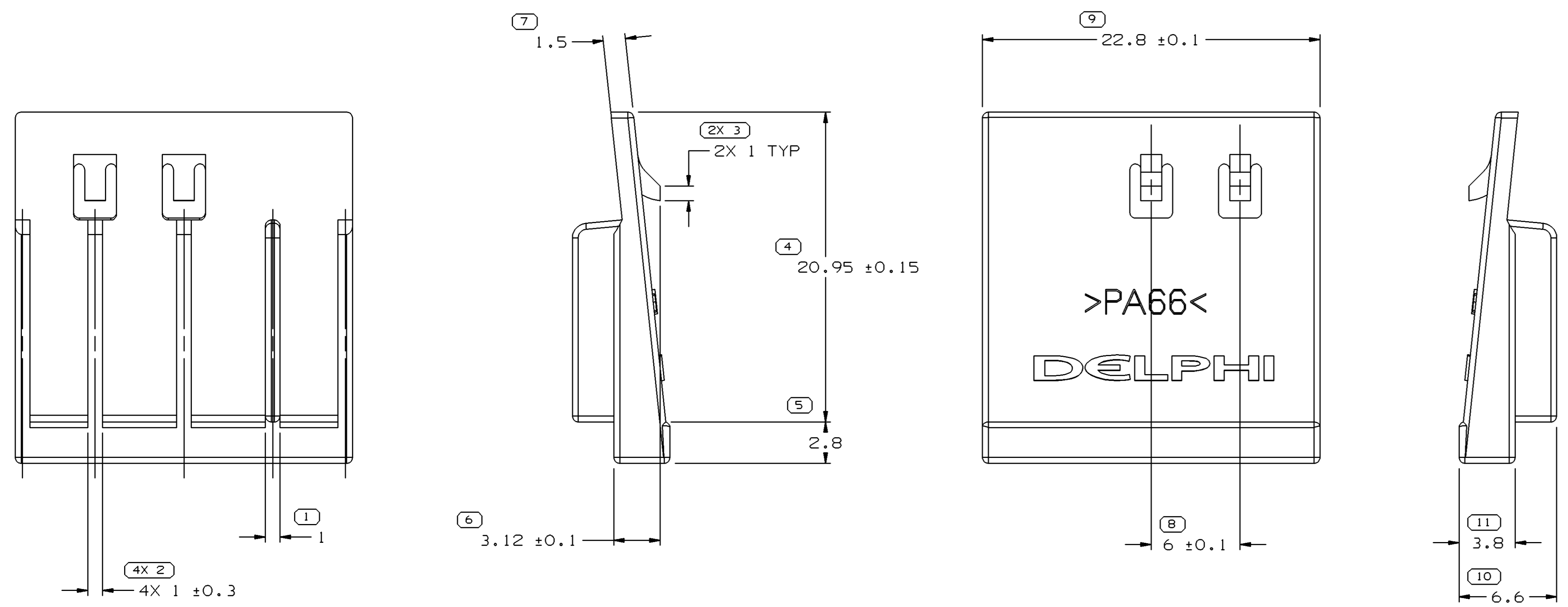


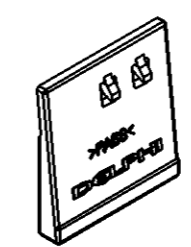
SYMBOL DEFINITION		MISSING SYMBOLS	
A DIMENSION WITHOUT AN INSPECTION REPORT SYMBOL ( ) DOES NOT REQUIRE INSPECTION. IT MAY BE CONTROLLED ON THE INDIVIDUAL COMPONENT DRAWING.	TOTAL NO OF INSPECTIONS REQUIRED	NO MISSING SYMBOL NUMBER	15
	LAST NO. USED		11

DWG STATUS					ZONE	REVISION HISTORY			AUTH	DR	APVD 1	APVD 2
DATE	STG	REV	N/P	CHG		CREATED PD			226422	RH	RH	GMC
05JN02	R	B1	-	-		CORRECTED REVISION LEVEL			259815	LLJ	LLJ	BG
270C04	R	B3	-	-		REVISED "MATERIAL RECYCLING CODE" NOTE			260637	TLD	TLD	BG



NOTES

- UNLESS OTHERWISE SPECIFIED AND/OR INDICATED: DIMENSIONS ARE TO FACE OF VIEW SHOWN AND AUTOMATICALLY ROUNDED BY COMPUTER FOR INSPECTION (SEE MATH MODEL FOR PRECISE DIMENSIONS). FOR ALL OTHER DIMENSIONS NOT SHOWN BUT REQUIRED FOR TOOL BUILD, SEE MATH MODEL FOR PRECISE TOOL PATH DATA. LOCKING FEATURES ARE IDENTICAL.
- MATERIAL RECYCLING CODE PER ISO 11469. (2.3)X(0.1) CHARACTERS AS SHOWN TO BE LOCATED ON ANY EXTERIOR SURFACE. OPTIONAL CONSTRUCTION TO BE NO MATERIAL RECYCLING CODE.
- THIS PART IS NOT CONTROLLED FOR AUTOMATIC FEEDING.
- MATING COMPONENTS OR EQUIVALENT: CONNECTOR 12146432
- (2.3)X(0.1) DELPHI CORPORATE BRAND TO BE LOCATED ON ANY EXTERIOR SURFACE, PREFERABLY VISIBLE AT FINAL ASSEMBLY. OPTIONAL CONSTRUCTION TO BE "PED".



DIMENSIONAL RANGE (MM)		CHART E1	
FROM	TO	TOLERANCE	UNLESS OTHERWISE SPECIFIED
> 0	> 20	±0.15	±0.2
> 20	> 30	±0.3	±0.4
> 30	> 70	±0.4	±0.5
> 70	> 100	±0.5	±0.6
> 100	> 150	±0.6	±0.8
> 150	> 200	±1	±1.2
> 200	> 250	±1	±1.2
> 250	> 300	±1	±1.2
> 300	> 400	±1	±1.2

DWG TYPE PART DRAWING	
STYLE	
VOLUME (CM³) 1.062	DISTR CODE D
UNLESS OTHERWISE SPECIFIED THIS DOCUMENT IS IN ACCORDANCE WITH ASME Y14.5M-1994 AS AMENDED BY THE GM GLOBAL DIMENSIONING AND TOLERANCING ADDENDUM - 1997. ALL GEOMETRIC TOLERANCES AND RELATED DATUMS APPLY RFS. RULE #1 PERFECT FORM AT MMC DOES NOT APPLY WHEN RELATIONSHIP BETWEEN FEATURES IS ESTABLISHED BY ORIENTATION OR LOCATION TOLERANCES. SEPARATE POSITION CALLOUTS MAY BE GAGED SEPARATELY, REGARDLESS OF DATUM REFERENCE. ALL DIMENSIONS ARE IN MILLIMETERS	
THIRD ANGLE PROJECTION	
DO NOT SCALE	
USE MATH DATA	

**DELPHI**  
DELPHI PACKARD ELECTRIC SYSTEMS  
WARREN, OH

DR	DATE
APVD1 R. HERMOSILLO	05JN02
APVD2 R. HERMOSILLO	05JN02
APVD3 G. MACIAS	06JN02
APVD4	
APVD5	

SUBSTANCES OF CONCERN AND RECYCLED CONTENT PER DELPHI 10949001

MATERIAL  
M3592001 PA66 HS IM BLK

DRAWING NAME  
LOCK TPA BLK

DRAWING NUMBER  
**12146435**

SIZE A1	SCALE 5:1	FRAME NO 1 OF 1	SHEET NO 1 OF 1	STG R	REV B3	N/P -
------------	--------------	--------------------	--------------------	----------	-----------	----------