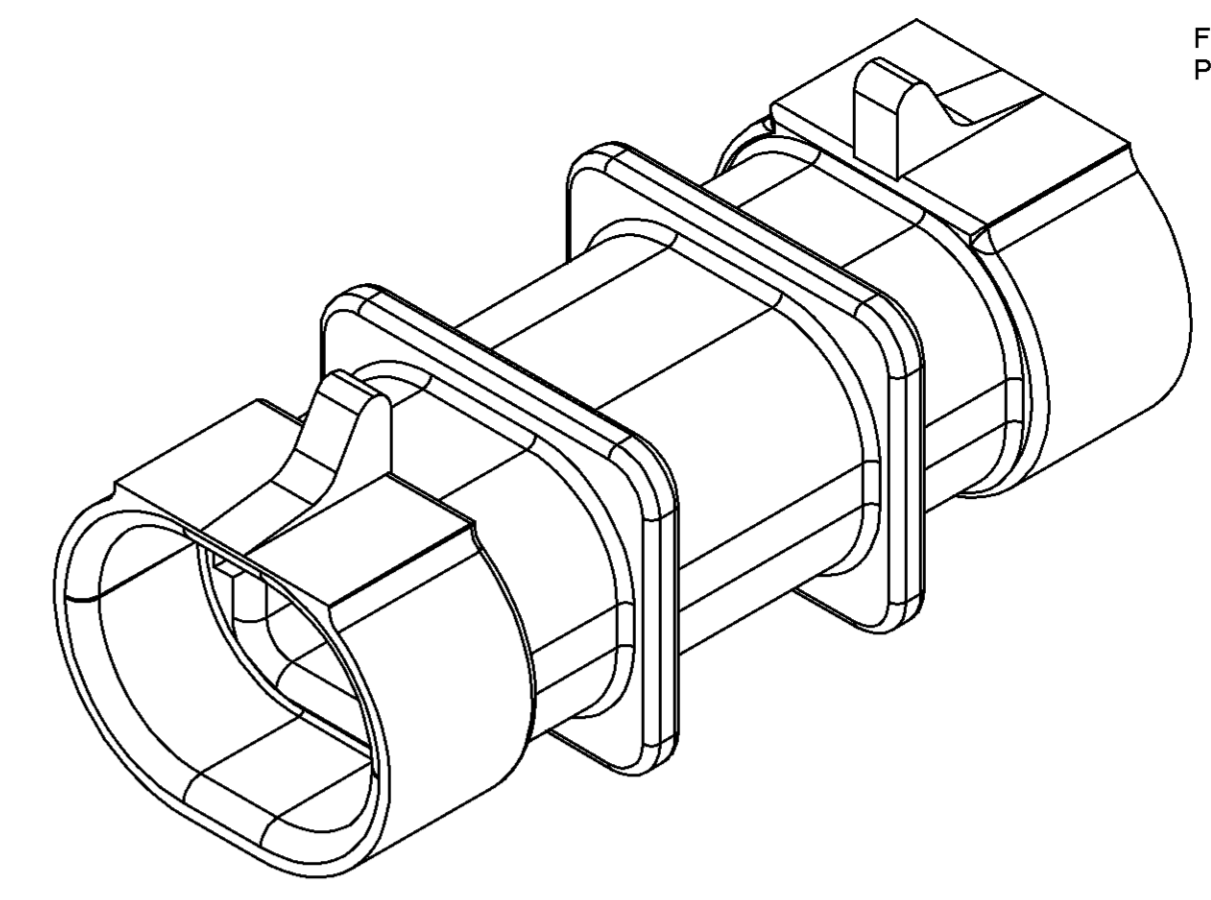


DO NOT SCALE

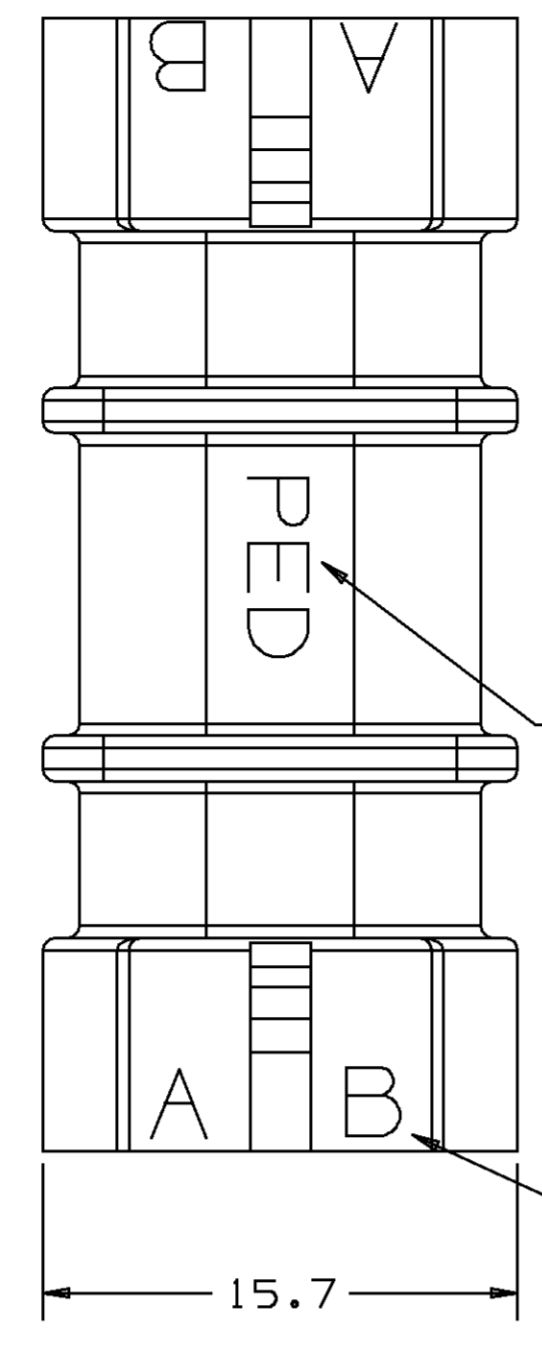
D

PART NO
1214 6445

DATE	SYM	REVISION RECORD	AUTH	DR	CK
03JN93	A1	P.I.D. DWG CREATED, WAS			
		PEO39980 & RELEASED	930005	JC	JC
01NO94	A2	CHANGE 15.30 DIM TO REF	164405	JMH	JMH
06DE04	A3	ADDED TOLERANCE TO TITLE-			
		BLOCK AND CORRECTED MATERIAL			
		FROM PM002392-002 TO M2389002	261995	TD	TD



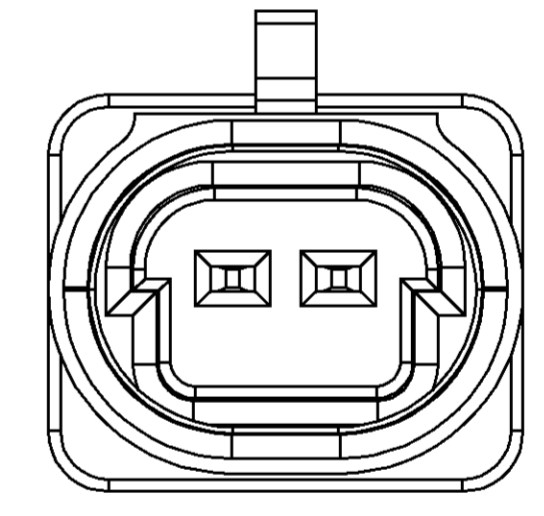
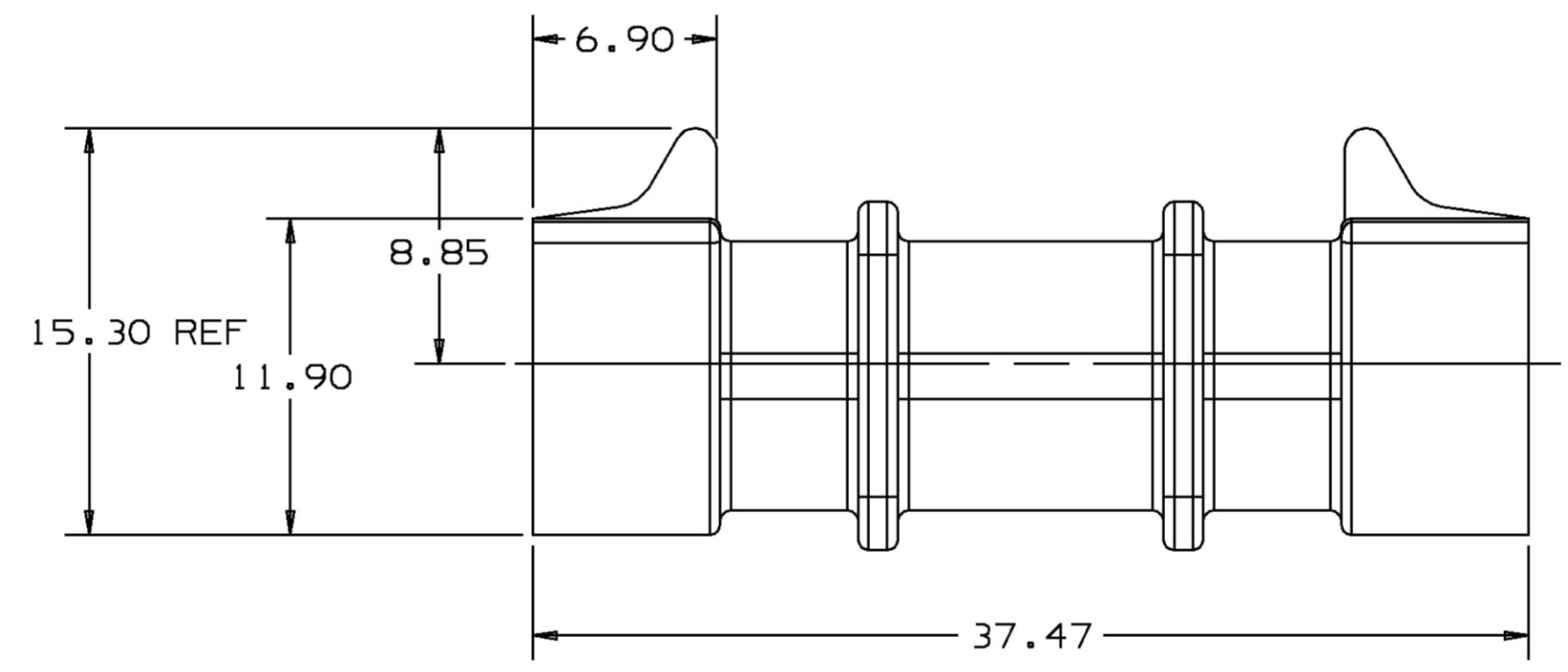
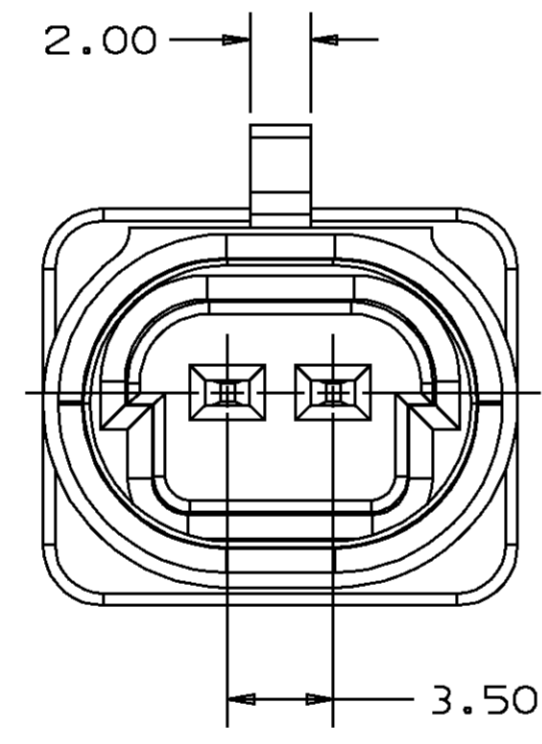
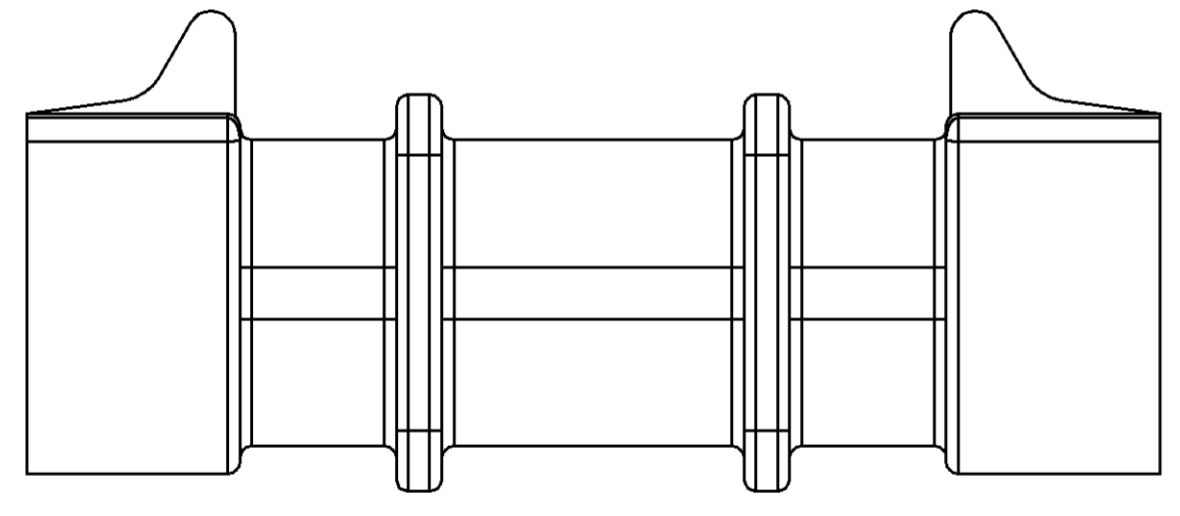
FROM
PM0023



2.3 REF X 0.1 REF RAISED LETTERS AS SHOWN. MAY BE LOCATED ON ANY EXTERIOR SURFACE VISIBLE AT FINAL ASSEMBLY.

2.3 REF X 0.1 REF RAISED LETTERS.

15.7



PACKARD ELECTRIC DIVISION
GENERAL MOTORS CORPORATION
WARREN, OHIO

PART NO
1214 6445

Utiographics II		METRIC DIMENSIONS ARE IN MILLIMETERS UNLESS OTHERWISE SPECIFIED	
THIRD ANGLE PROJECTION		TOLERANCE UNLESS OTHERWISE SPECIFIED DECIMAL: ANGULAR:	
		ONE PLACE ± 0.3 TWO PLACE ± 0.15	
CODE NO	QC	DES:JEFF REEVES 13FE93	
6901			
DWG DATE	13FE93	DR.J.COLDSNOW	03JN93
SCALE	4:1	CKJ.COLDSNOW	03JN93
REFERENCE NO	12146445 "A1" SIZE	APPR	
MATERIAL SPEC	VOL CM ³ 2.892		
M2389002 PA612 GF33 BLK			
NAME CONN 2M M/P 150 MLDD			
PART NUMBER 1214 6445			SIZE A1
PRODUCT INFORMATION DRAWING			

NOTE—MATING CONNECTOR IS 12110515 OR EQUIVALENT. (2 REQD)

12146445-a1.mpldd - Date: 29-Sep-00 Time: 09:30
C:\p1\sc05\users\comp_dr\bnz281\12146445-a1.mpldd - 1--94
USERID: bnz281
NAME: 12146445-a1-mpldd-.prt