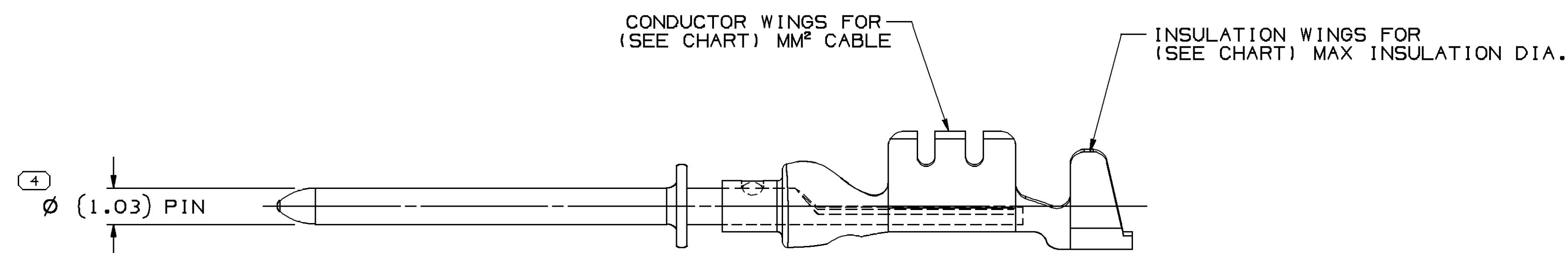
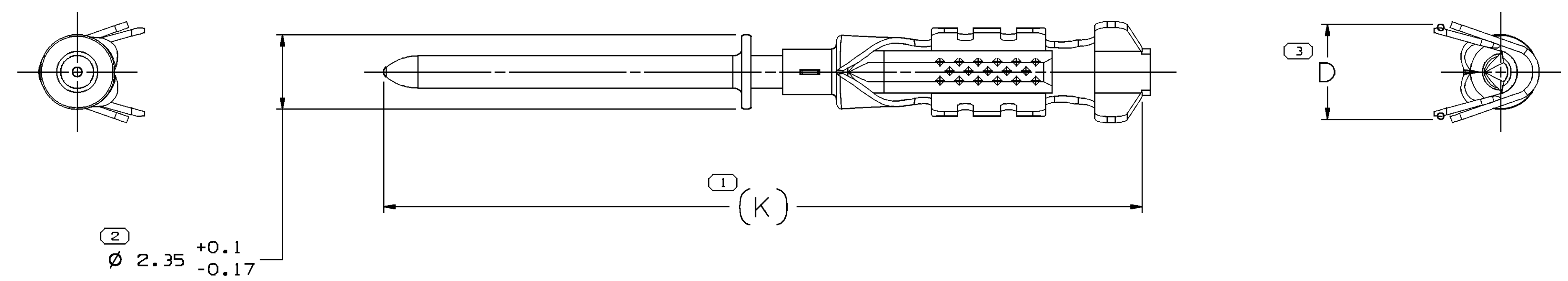
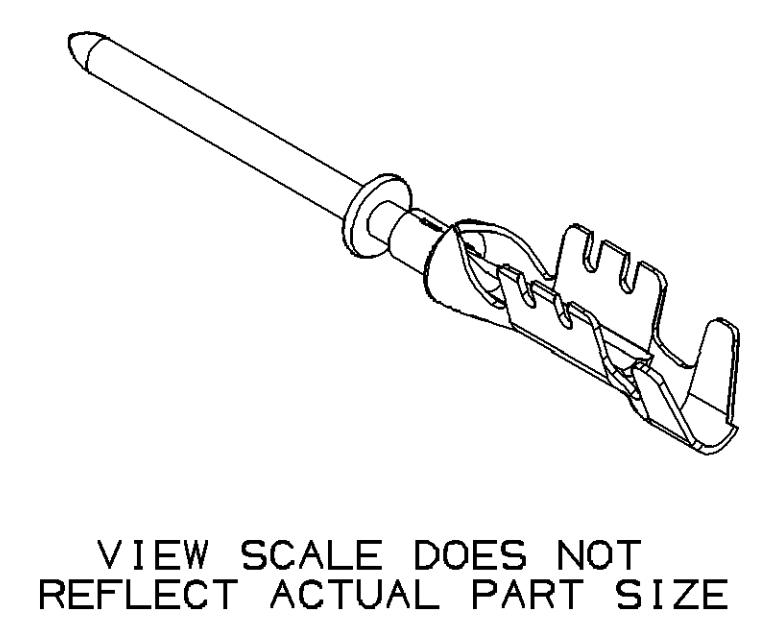


SYMBOL DEFINITION		MISSING NUMBERS		DWG STATUS				REVISION HISTORY		AUTH	DR	APVD1	APVD2
DATE	STG	REV	N/P	CHG	ZONE								
15MY02	R	04	-	-		CLEARED REV COLUMN: ALL PARTS - REVISED NOTE 2		224776	EGR	EGR	BO		
07JN02	R	05	-	-		ALL PARTS - UPDATED PDM ATTRIBUTES		226564	TLD	TLD	PMJ		
05MY06	R	06	-	-		ALL PARTS - UPDATED PDM ATTRIBUTES		280180	RTV	JAA	CSD		
07AU12	R	07	-	-		ALL PARTS - UPDATED PDM ATTRIBUTES		419181	AH	AH	AH		



- NOTES**
- UNLESS OTHERWISE SPECIFIED AND/OR INDICATED:
DIMENSIONS ARE TO FACE OF VIEW SHOWN AND AUTOMATICALLY ROUNDED BY COMPUTER FOR INSPECTION (SEE MATH MODEL FOR PRECISE DIMENSIONS). FOR ALL OTHER DIMENSIONS NOT SHOWN BUT REQUIRED FOR TOOL BUILD, SEE MATH MODEL FOR PRECISE TOOL PATH DATA.
 - REFERENCE MATING COMPONENTS OR EQUIVALENT:
CONNECTOR 12160542
TERMINAL 12084912



PART NO	REV	N/P	STATUS	MAT'L SIZE & DESCRIPTION	SPECIFICATION	SIZE (MM²)	DIA±0.08	I.D. NO.	D±0.2	(K)
12160552	02	AE		0.203 THK X T.B.D. CDA 425 1/2 HD TIN BRASS	PM003607	0.35-0.5	-	21	2.3	23.95
12160551	02	AE		0.203 THK X T.B.D. CDA 425 1/2 HD TIN BRASS	PM003607	0.5-0.8	2.04	18/20	2.8	23.95

(2) PROCESS SENSITIVE DIMENSION	
DIMENSIONAL RANGE (MM)	CHART D
FROM 0	> 12
TO 12	> 12
TOLERANCE UNLESS OTHERWISE SPECIFIED	
±0.1	±0.2
ANGULAR TOLERANCE ±2°	

LINE DRAWN THROUGH A PART NUMBER INDICATES THAT PHYSICAL PARTS ARE NOT AVAILABLE FOR ORDERING.

PART NUMBERS THAT DO NOT HAVE A LINE PRESENT INDICATE THAT PHYSICAL PARTS ARE AVAILABLE FOR ORDERING.

CONTACT DELPHI SALES TO ASSURE AVAILABILITY OF PARTS.

DWG TYPE: **PART DRAWING**

STYLE: **D**

VOLUME (C/P): **1** DISTR CODE: **D**

UNLESS OTHERWISE SPECIFIED THIS DOCUMENT IS IN ACCORDANCE WITH ASME Y14.5M-1994 AS AMENDED BY THE GM GLOBAL DIMENSIONING AND TOLERANCING ADDENDUM - 1997. ALL GEOMETRIC TOLERANCES AND RELATED DATUMS APPLY RFS. RULE #1 (PERFECT FORM AT MMPI) DOES NOT APPLY WHEN RELATIONSHIP BETWEEN FEATURES IS ESTABLISHED BY ORIENTATION OR LOCATION TOLERANCES. SEPARATE POSITION CALLOUTS MAY BE GAGED SEPARATELY, REGARDLESS OF DATUM REFERENCE. ALL DIMENSIONS ARE IN MILLIMETERS

REFERENCE: **12110797**

THIRD ANGLE PROJECTION

DO NOT SCALE

USE MATH DATA

NX

DELPHI
DELPHI PACKARD ELECTRICAL/ELECTRONIC ARCHITECTURE
WARREN, OH
COPYRIGHT 2000 DELPHI CORPORATION AND/OR ITS AFFILIATES. ALL RIGHTS RESERVED.
REVISED 2012
THIS DRAWING IS THE PROPERTY OF DELPHI CORPORATION. THE REPRODUCTION, DISTRIBUTION AND UTILIZATION OF THIS DOCUMENT OR ITS RELATED CAD MATH DATA, AS WELL AS COMMUNICATION OF ANY CONTENT TO OTHERS, WITHOUT EXPRESS AUTHORIZATION IS PROHIBITED.

DR	DATE
APVD1 A. ARZATE	15MY00
APVD2 FCO. RESENDIZ	07JL00
APVD3 G. ORANTES	08JL00
APVD4	
APVD5	

SUBSTANCES OF CONCERN AND RECYCLED CONTENT PER DELPHI 10949001

MATERIAL: **SEE CHART**

DRAWING NAME: **TAXI TERM M MIC/P 100W**

DRAWING NUMBER: **12160550**

SIZE	SCALE	FRAME NO	SHEET NO	STG	REV	N/P
A1	10:1	1 OF 1	1 OF 1	R	07	-