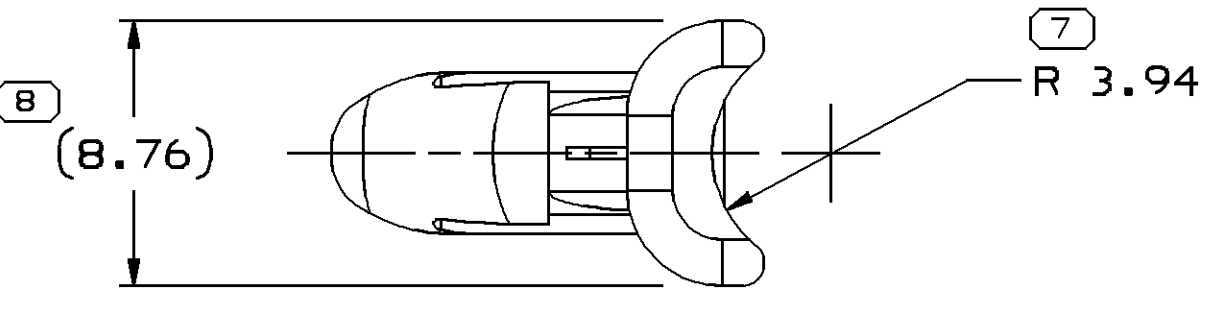
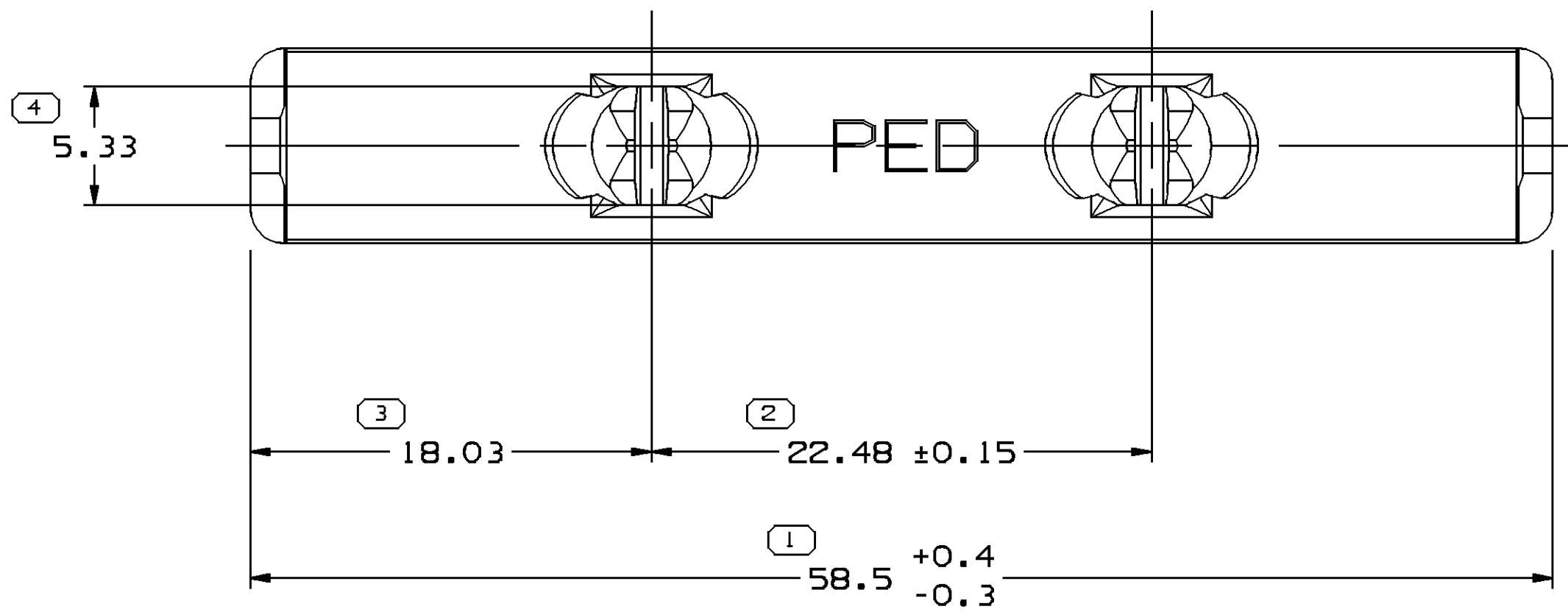
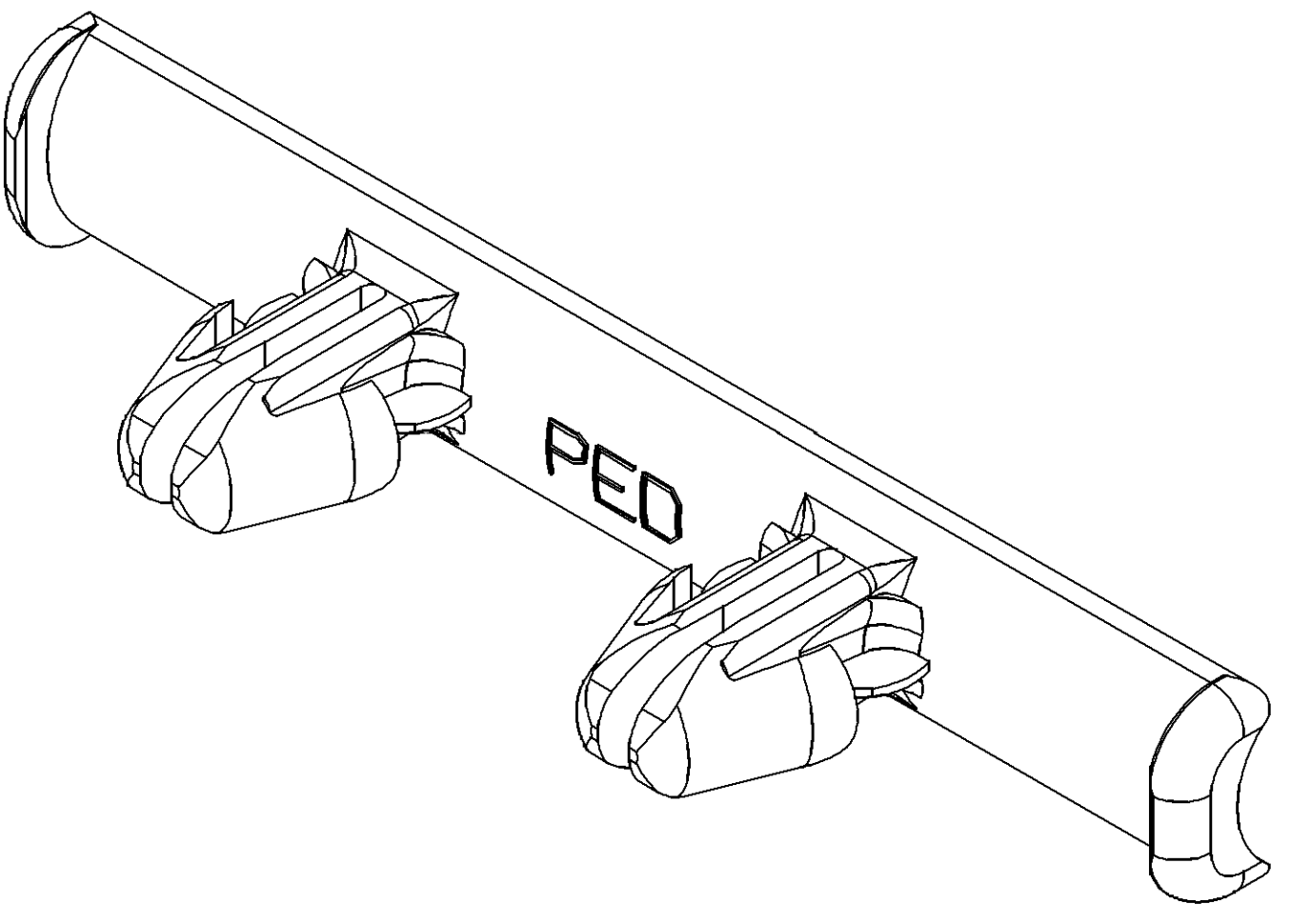
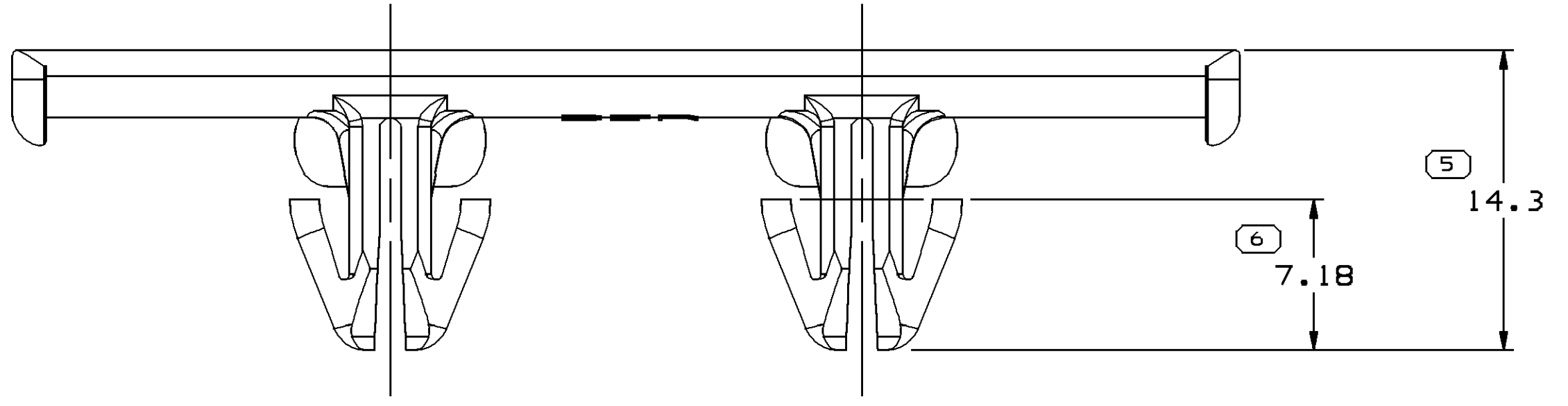


| SYMBOL DEFINITION | |
|--|----------------------------------|
| A DIMENSION WITHOUT AN INSPECTION REPORT SYMBOL () DOES NOT REQUIRE INSPECTION. IT MAY BE CONTROLLED ON THE INDIVIDUAL COMPONENT DRAWING. | TOTAL NO OF INSPECTIONS REQUIRED |
| | 8 |
| | LAST NO. USED |
| | 8 |

| MISSING SYMBOLS | | DWG STATUS | | | | ZONE | | REVISION HISTORY | | | AUTH | DR | APVD1 | APVD2 | |
|--------------------------|--|------------|-----|-----|-----|------|--|------------------|---|--|------|--------|-------|-------|----|
| NO MISSING SYMBOL NUMBER | | DATE | STG | REV | N/P | CHG | | | | | | | | | |
| | | 07AP06 | R | A4 | - | - | | | CLEARED REV COL., REDRAWN TO PD AND REVISED NOTE #2 | | | 279155 | CCV | FRG | TP |



NOTES

- UNLESS OTHERWISE SPECIFIED AND/OR INDICATED:
DIMENSIONS ARE TO FACE OF VIEW SHOWN AND AUTOMATICALLY ROUNDED BY COMPUTER FOR INSPECTION (SEE MATH MODEL FOR PRECISE DIMENSIONS). FOR ALL OTHER DIMENSIONS NOT SHOWN BUT REQUIRED FOR TOOL BUILD, SEE MATH MODEL FOR PRECISE TOOL PATH DATA.
- CLIP TO SNAP INTO $\varnothing 6.84 \pm 0.51$ HOLE 1.59 ± 0.6 THICK STOCK.
- MATERIAL RECYCLING CODE PER ISO 11469. (2.3)X(0.1) RAISED CHARACTERS AS SHOWN TO BE LOCATED ON ANY EXTERIOR SURFACE. OPTIONAL CONSTRUCTION TO BE NO MATERIAL RECYCLING CODE.
- (2.3)X(0.1) DELPHI CORPORATE BRAND TO BE LOCATED ON ANY EXTERIOR SURFACE, PREFERABLY VISIBLE AT FINAL ASSEMBLY. OPTIONAL CONSTRUCTION TO BE "PED" OR NO LOGO.

(1) PROCESS SENSITIVE DIMENSION

DIMENSIONS ENCLOSED IN () INDICATE REFERENCE DIMENSIONS AND NO TOLERANCE LIMITS ARE ESTABLISHED

| DIMENSIONAL RANGE (MM) | | CHART ET | |
|------------------------|-------|----------|-------|
| FROM | TO | > | > |
| > 0 | > 20 | > 30 | > 70 |
| > 20 | > 30 | > 70 | > 100 |
| > 30 | > 70 | > 100 | > 150 |
| > 70 | > 100 | > 150 | > 200 |
| > 100 | > 150 | > 200 | > 250 |
| > 150 | > 200 | > 250 | > 300 |
| > 200 | > 250 | > 300 | > 400 |

TOLERANCE UNLESS OTHERWISE SPECIFIED

| | | | | | | | | |
|-------|------|------|------|------|------|------|----|------|
| ±0.15 | ±0.2 | ±0.3 | ±0.4 | ±0.5 | ±0.6 | ±0.8 | ±1 | ±1.2 |
|-------|------|------|------|------|------|------|----|------|

ANGULAR TOLERANCE #2°

| | | | |
|---|------------|--------------|--|
| DWG TYPE | | PART DRAWING | |
| STYLE | | | |
| VOLUME (QTY) | DISTR CODE | | |
| 1.319 | D | | |
| UNLESS OTHERWISE SPECIFIED | | | |
| THIS DOCUMENT IS IN ACCORDANCE WITH ASME Y14.5M-1994 AS AMENDED BY THE GM GLOBAL DIMENSIONING AND TOLERANCING ADDENDUM-2001. SEPARATE PATTERNS OF FEATURES MAY BE BAGGED SEPARATELY REGARDLESS OF DATUM REFERENCES. | | | |
| ALL DIMENSIONS ARE IN MILLIMETERS | | | |
| REFERENCE | | | |

| | | |
|------------------------|--------------|-------------|
| THIRD ANGLE PROJECTION | DO NOT SCALE | UNIGRAPHICS |
| USE MATH DATA | | |

DELPHI
DELPHI PACKARD ELECTRIC SYSTEMS
WARREN, OH

| | |
|--------------------|--------|
| DR | DATE |
| APVD1 RICARDO PINA | 23MY94 |
| APVD2 RICARDO PINA | 23MY94 |
| APVD3 GARY DETTER | 31MY94 |
| APVD4 | |
| APVD5 | |

SUBSTANCES OF CONCERN AND RECYCLED CONTENT PER DELPHI 10949001

MATERIAL
M3592001 PA66 HS 1M BLK

DRAWING NAME
MOUN CLIP TAPE ON SPECIAL

DRAWING NUMBER
12160766

| | | | | | | |
|------|-------|----------|----------|-----|-----|-----|
| SIZE | SCALE | FRAME NO | SHEET NO | STG | REV | N/P |
| A1 | 4:1 | 1 OF 1 | 1 OF 1 | R | A4 | - |