
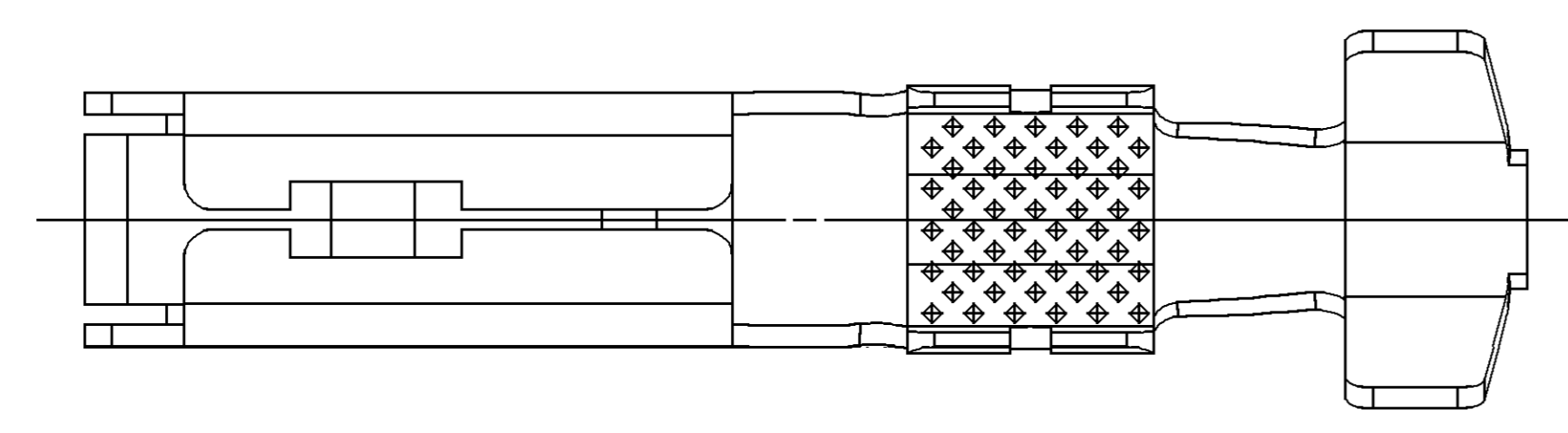
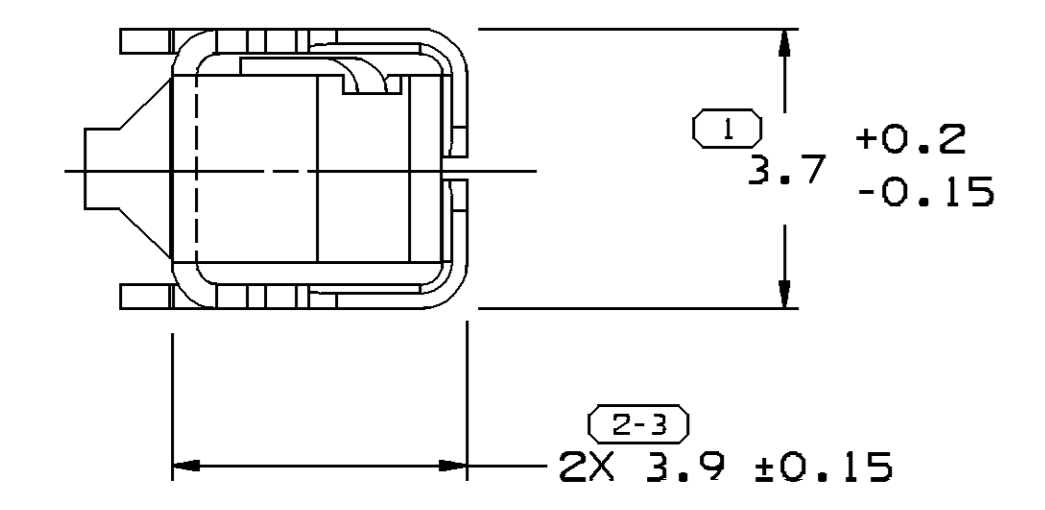
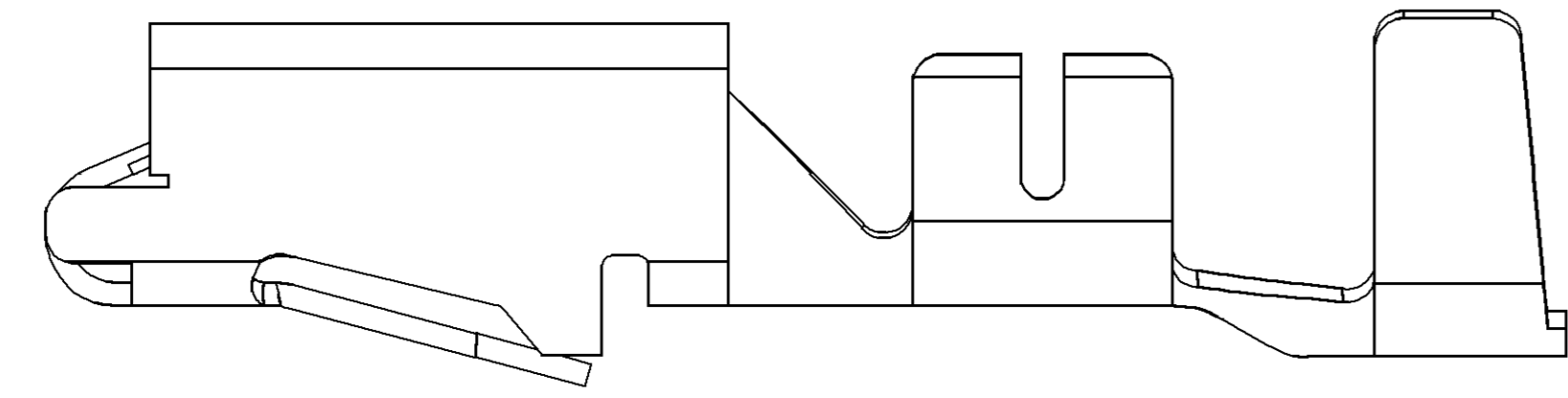


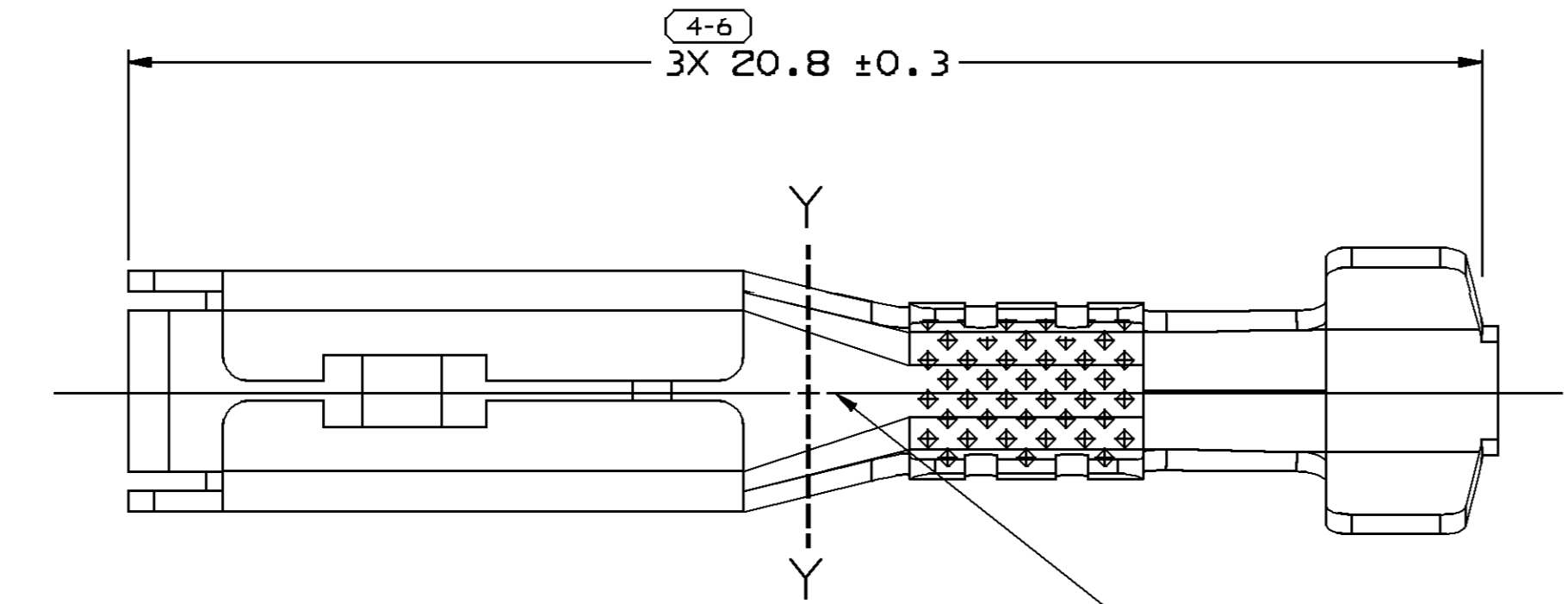
SYMBOL DEFINITION		MISSING NUMBERS		DWG STATUS				REVISION HISTORY				AUTH		DR		APVD	
DATE	STG	REV	N/P	CHK	ZONE	DATE	STG	REV	N/P	CHK	ZONE	DATE	STG	REV	N/P	CHK	ZONE
10JUN05	R	01	-	-		12162620-23	-	WERE ON TAXI	12110858	SHT3	269172	JBD	FRG	WTM			
A DIMENSION WITHOUT AN INSPECTION REPORT SYMBOL  DOES NOT REQUIRE INSPECTION. IT MAY BE CONTROLLED ON AN INDIVIDUAL COMPONENT DRAWING.																	
TOTAL NO. OF SYMBOLS ON DRAWING		5															
LAST NO. USED		8															



TYPE 102

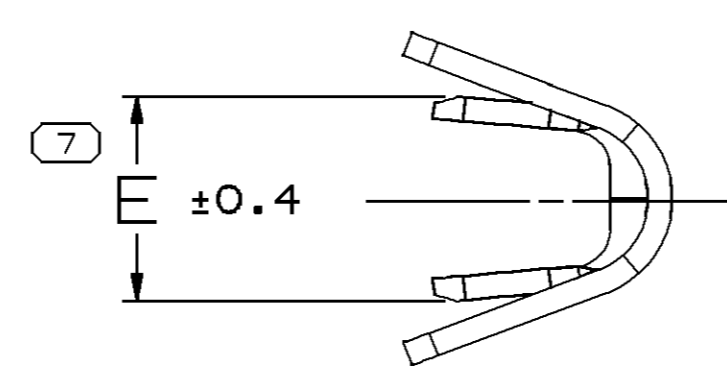


VIEW Y-Y

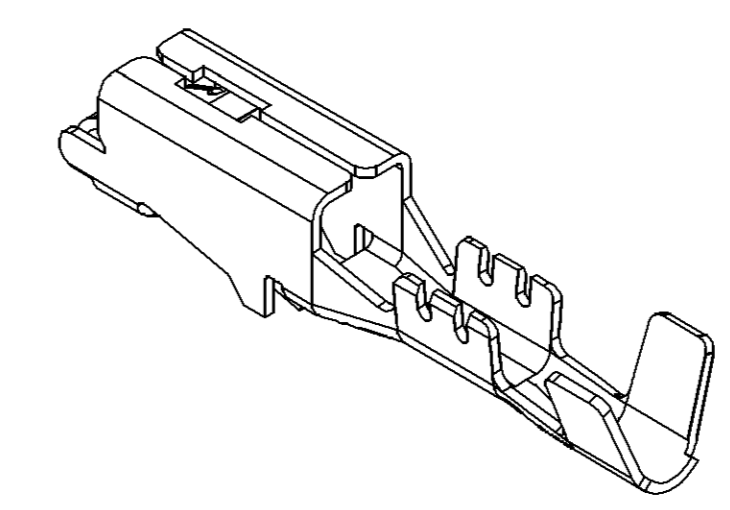
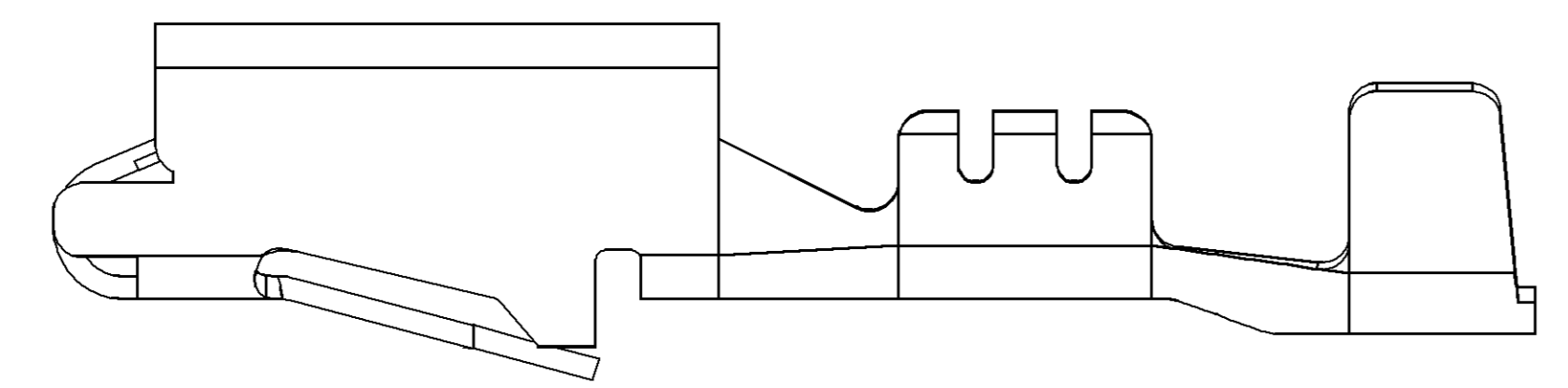


TYPE 101

STAMP DIE ID "PXX" IN THIS AREA (0.6) CHARACTERS XX DESIGNATES DIE NUMBER LOCATION IS APPROXIMATE



VIEW Y-Y



VIEW SCALE DOES NOT REFLECT ACTUAL PART SIZE

NOTES

- UNLESS OTHERWISE SPECIFIED AND/OR INDICATED: DIMENSIONS ARE TO FACE OF VIEW SHOWN AND AUTOMATICALLY ROUNDED BY COMPUTER FOR INSPECTION. (SEE MATH MODEL FOR PRECISE DIMENSIONS.) FOR ALL OTHER DIMENSIONS NOT SHOWN BUT REQUIRED FOR TOOL BUILD, SEE MATH MODEL FOR PRECISE TOOL PATH DATA.
- MATING TERMINAL 12048159 OR EQUIVALENT.
- DO NOT PROBE, TEST OR OTHERWISE CONTACT THE INTERIOR REGION (THE SPRING OR ANY MOVING PART) OF THIS TERMINAL. SEVERE DAMAGE CAN OCCUR, COMPROMISING THE PERFORMANCE OF THE ELECTRICAL INTERFACE.

PART NO	REV	N/P	STATUS	MAT'L SIZE	MAT'L SPEC	SIZE (MM ²)	DIA	ID TYPE	E
12162623	A4	-		0.32 X 31.75	P1519009 425 TIN BRS EX HD SN PLTD	0.22	1.8-1.15	24	101 (B) 1.6 ±0.2
12162622	A4	-		0.32 X 31.75	P1519009 425 TIN BRS EX HD SN PLTD	3-2	3.65-2.5	13	102 3.9
12162621	A4	-		0.32 X 31.75	P1519009 425 TIN BRS EX HD SN PLTD	0.5-0.35	2.19-1.47	21	101 2.2
12162620	A4	-		0.32 X 31.75	P1519009 425 TIN BRS EX HD SN PLTD	1-0.8	2.64-1.96	17	101 2.7

Dwg Type		PART DRAWING	
STYLE	D		
VOLUME 10/1	DISTR CODE		
UNLESS OTHERWISE SPECIFIED			
THIS DOCUMENT IS IN ACCORDANCE WITH ASME Y14.5M-1994			
AS MODIFIED BY THE IN-SPEC DIMENSIONS AND TOLERANCES			
TOLERANCES UNLESS OTHERWISE SPECIFIED			
FROM	TO	CHART	D
0	12	>12	
TOLERANCE UNLESS OTHERWISE SPECIFIED			
±0.1	±0.2	±0.3	
ANGULAR TOLERANCE 22°			
ALL DIMENSIONS ARE IN MILLIMETERS			
THIRD ANGLE PROJECTION			
DO NOT SCALE			
USE MATH DATA			

DELPHI
DELPHI PACKARD ELECTRIC SYSTEMS
WREN, OH

DR	DATE
APV01 J. R. BARRIENTOS	22JUN05
APV02 FCO, RESENDIZ	23JUN05
APV03 TOM MADDEN	24JUN05
APV04	
APV05	

SUBSTANCES OF CONCERN AND RECYCLED CONTENT PER DELPHI 10949001

MATERIALS CHART

DRAWING NAME
TAXI TERM F M/P 280

DRAWING NUMBER
12186554

SIZE A0 SCALE 10:1 FRAME NO 1 OF 1 SHEET NO 2 REV N/P R 01 -

Date: 05-Apr-05 Time: 22:09