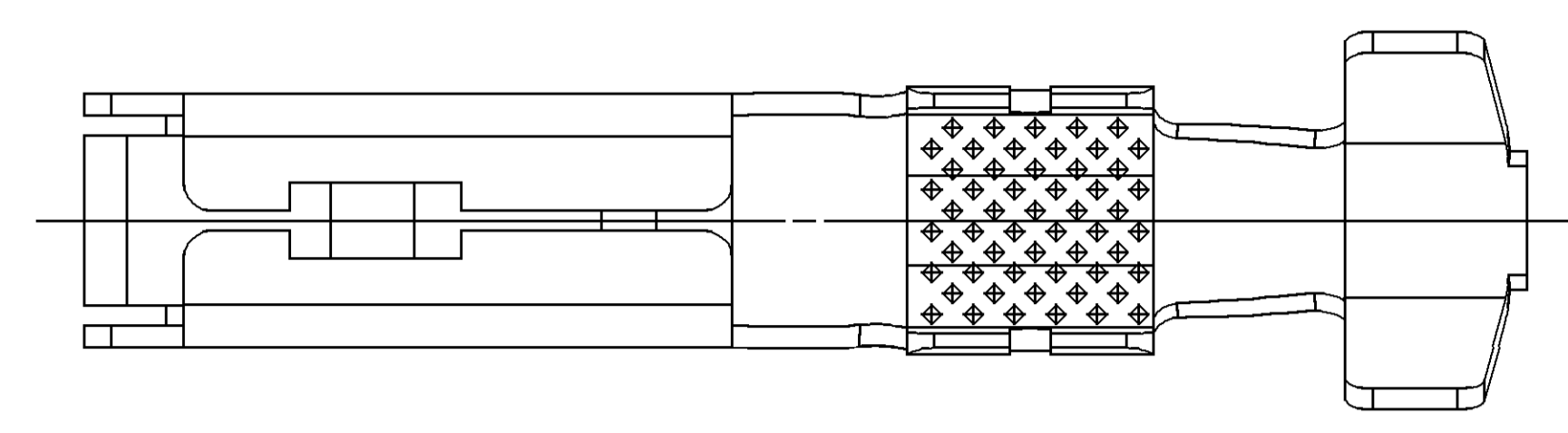
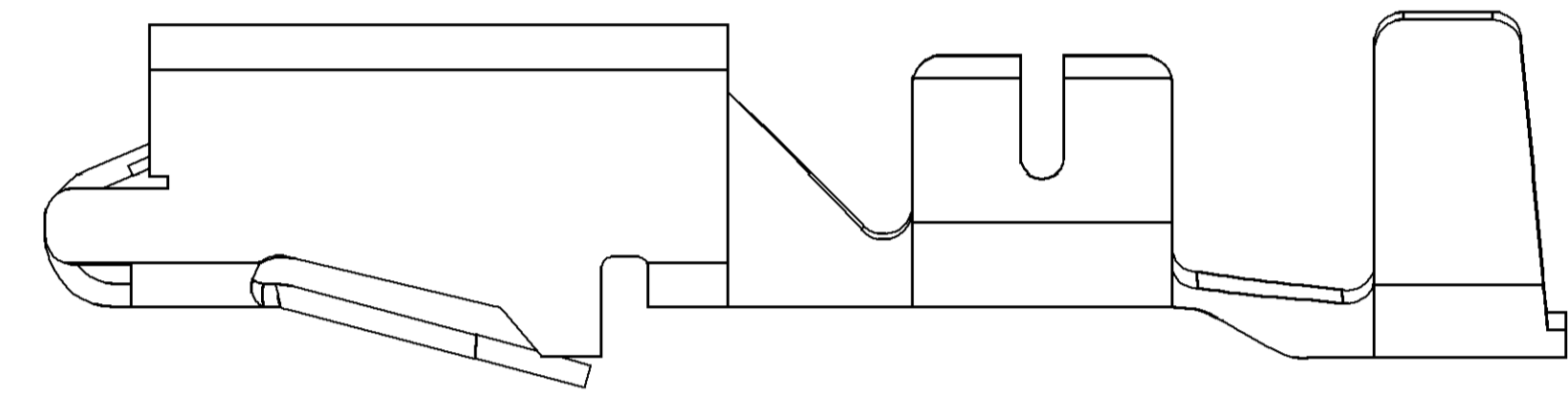
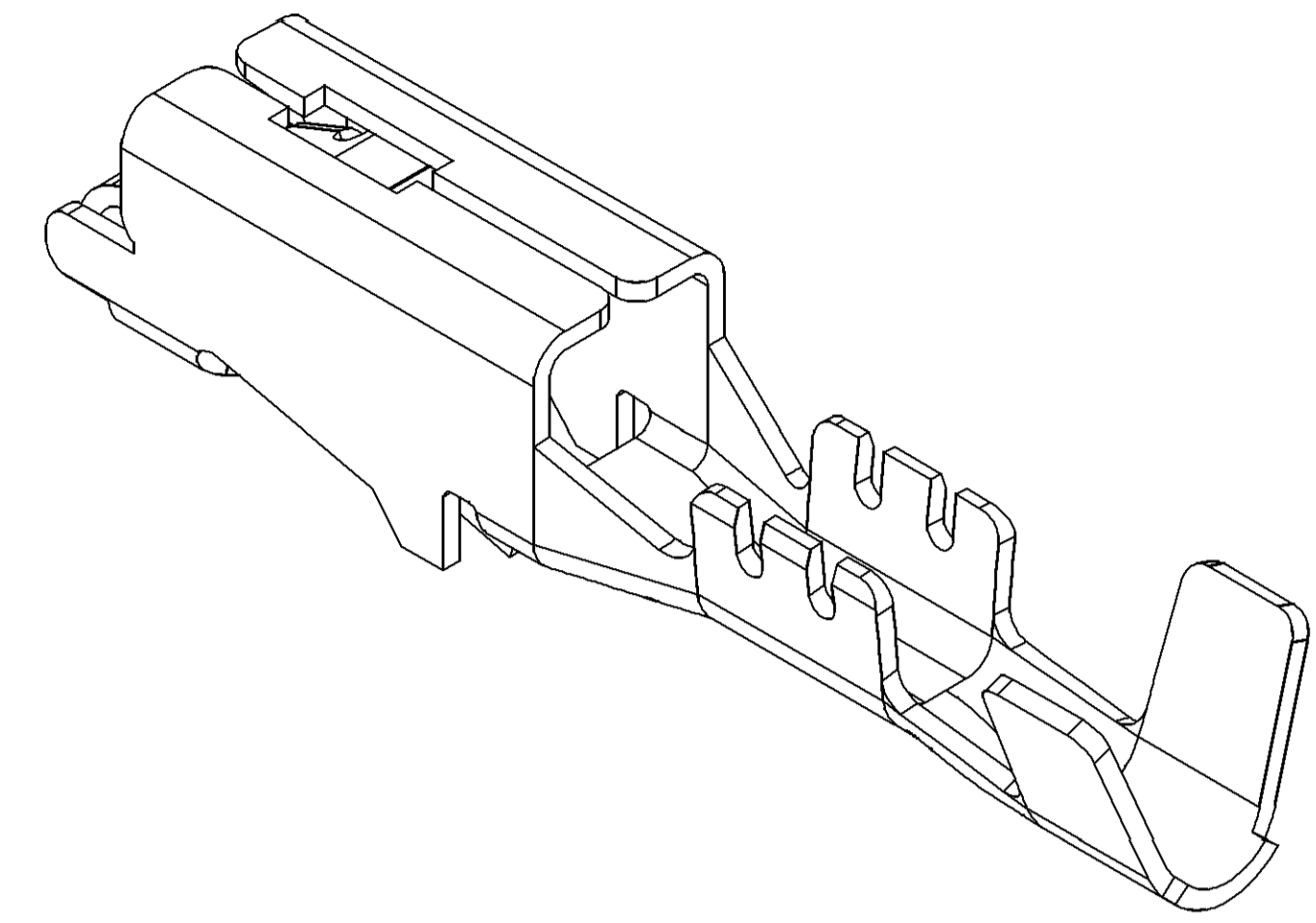


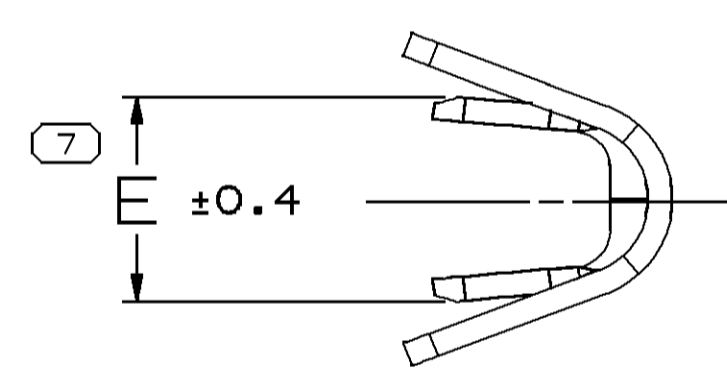
SYMBOL DEFINITION		MISSING NUMBERS		DWG STATUS		ZONE		REVISION HISTORY		AUTH		DR		AP/VD	
DATE	STG	REV	N/P	CHG											
10JN05	R	01	-	-				12162620-23 - WERE ON TAXI 12110858 SHT3 AND ADDED NOTE #3	269172	JBD	FRG	WTM			
28AP08	R	02	-	-				ALL PARTS - UPDATED PDM ATTRIBUTES	404503	EAJ	JAA	WTM			
06MY08	R	03	-	-				ALL PARTS - UPDATED PDM ATTRIBUTES	404630	JAA	JAA	WTM			
15MY08	R	04	-	-				12162620-22 - UPDATED PDM ATTRIBUTES; 12162623 - INACTIVE	404665	JTZ	JAA	WTM			



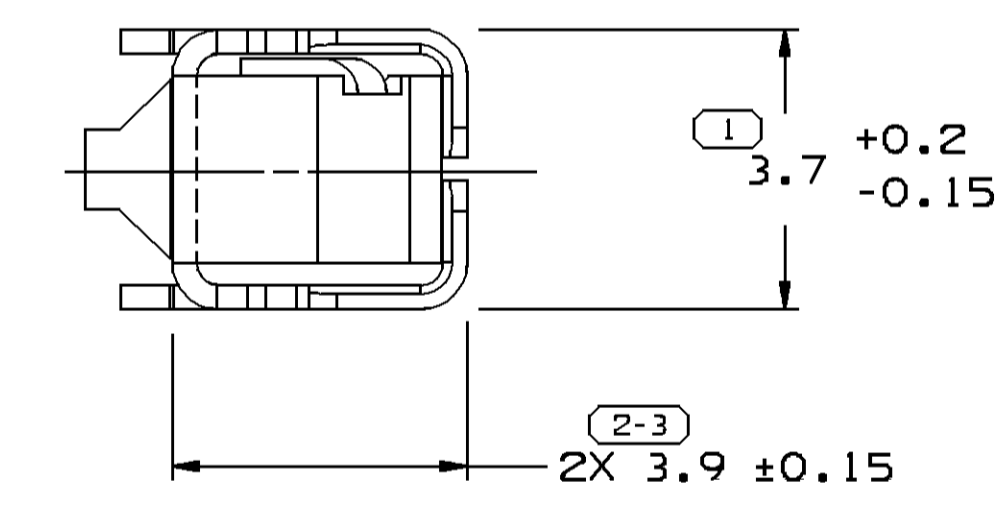
TYPE 102



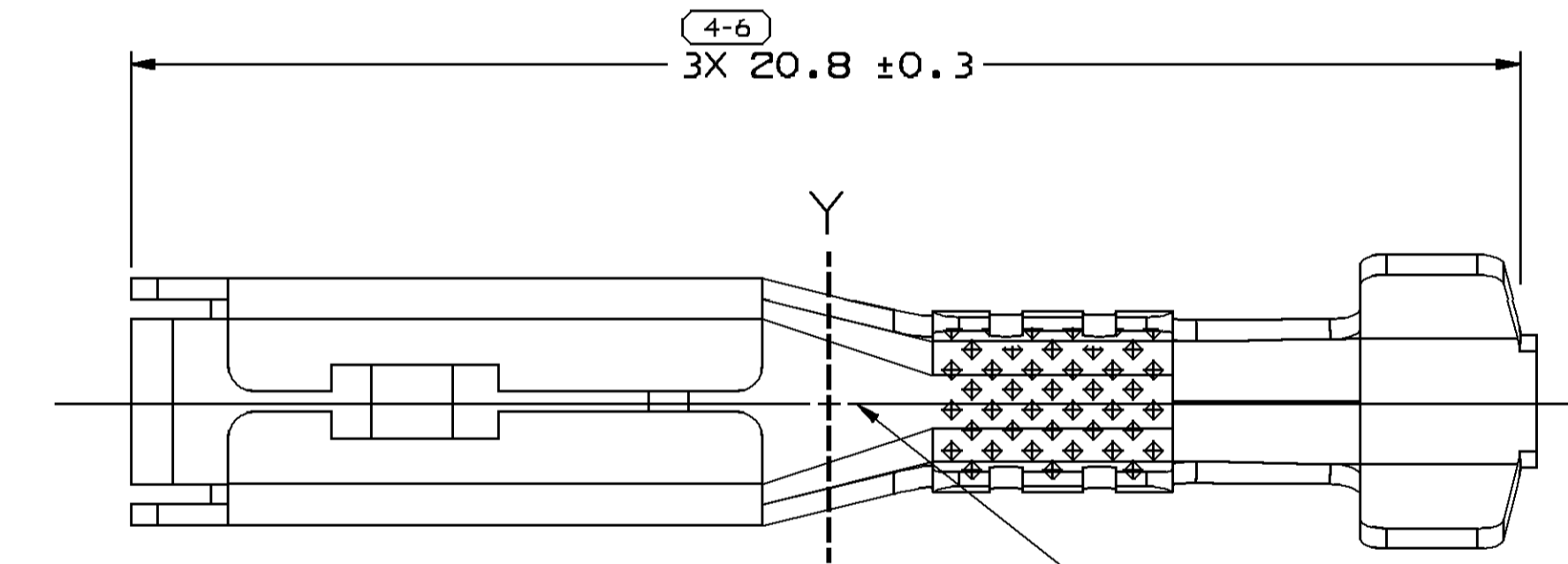
TYPE 101



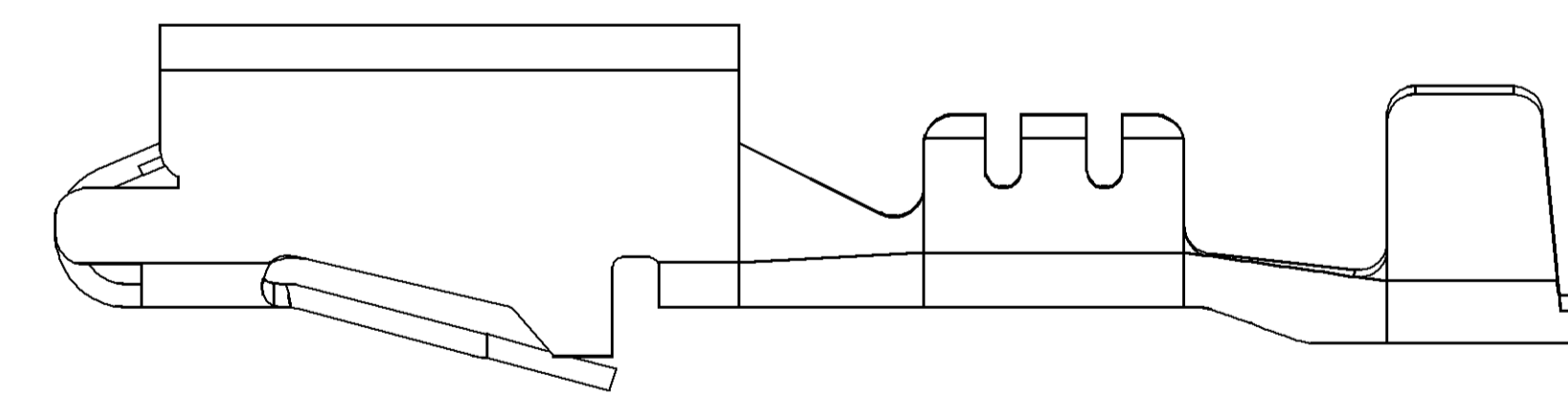
VIEW Y-Y



VIEW Y-Y



STAMP DIE ID "PXX" IN THIS AREA (0.6) CHARACTERS XX DESIGNATES DIE NUMBER LOCATION IS APPROXIMATE



PART NO	REV	N/P	STATUS	MAT'L SIZE	MAT'L SPEC	SIZE (MMF)	DIA	ID TYPE	E
12162623	A7	-	INACTIVE	0.32 X 31.75	M1574009 METL NONFERROUS C42500 EX HD	0.22	1.8-1.15	24 101	(B) 1.6 ±0.2
12162622	A7	-		0.32 X 31.75	M1574009 METL NONFERROUS C42500 EX HD	3-2	3.65-2.5	13 102	3.9
12162621	A7	-		0.32 X 31.75	M1574009 METL NONFERROUS C42500 EX HD	0.5-0.35	2.19-1.47	21 101	2.2
12162620	A7	-		0.32 X 31.75	M1574009 METL NONFERROUS C42500 EX HD	1-0.8	2.64-1.96	17 101	2.7

NOTES

- UNLESS OTHERWISE SPECIFIED AND/OR INDICATED:  
DIMENSIONS ARE TO FACE OF VIEW SHOWN AND AUTOMATICALLY ROUNDED BY COMPUTER FOR INSPECTION. (SEE MATH MODEL FOR PRECISE DIMENSIONS.) FOR ALL OTHER DIMENSIONS NOT SHOWN BUT REQUIRED FOR TOOL BUILD, SEE MATH MODEL FOR PRECISE TOOL PATH DATA.
- MATING TERMINAL 12048159 OR EQUIVALENT.
- DO NOT PROBE, TEST OR OTHERWISE CONTACT THE INTERIOR REGION (THE SPRING OR ANY MOVING PART) OF THIS TERMINAL. SEVERE DAMAGE CAN OCCUR, COMPROMISING THE PERFORMANCE OF THE ELECTRICAL INTERFACE.

DWG TYPE <b>PART DRAWING</b>	
STYLE	DISTR CODE
VOLUME (10/1)	D
UNLESS OTHERWISE SPECIFIED THIS DOCUMENT IS IN ACCORDANCE WITH ASME Y14.5M-1994 AS MODIFIED BY THE IN-SOURCE DIMENSIONING PRACTICE. FOLLOWING ADDITIONAL SEPARATE WRITINGS OF FEATURES MAY BE BASED SEPARATELY PER-ROLE OF DRAWN REFERENCES.	
ALL DIMENSIONS ARE IN MILLIMETERS	
(1) PROCESS SENSITIVE DIMENSION	REFERENCE
DIMENSIONS ENCLOSED IN ( ) INDICATE REFERENCE DIMENSIONS AND NO TOLERANCE LIMITS ARE ESTABLISHED	
DIMENSIONAL RANGE (MM)	CHART D
FROM 0 TO 12	>12
TOLERANCE UNLESS OTHERWISE SPECIFIED	
±0.1	±0.2
ANGULAR TOLERANCE 22°	
THIRD ANGLE PROJECTION	DO NOT SCALE
USE MATH DATA	NX

<b>DELPHI</b>	
DELPHI PACKARD ELECTRICAL/ELECTRONIC ARCHITECTURE WARREN, OH	
DR	DATE
APV01 J. R. BARRIENTOS	22JN05
APV02 FCO. RESENDIZ	23JN05
APV03 TOM MADDEN	24JN05
APV04	
APV05	
SUBSTANCES OF CONCERN AND RECYCLED CONTENT PER DELPHI 10949001	
DRAWING NAME	
TAXI TERM F M/P 280 TANG	
DRAWING NUMBER	
<b>12186554</b>	
SIZE	SCALE
A0	10:1
FRAME NO	SHEET NO
1 OF 1	1 OF 2
STG	REV
	R 04

Date: 21-May-08 Time: 11:37