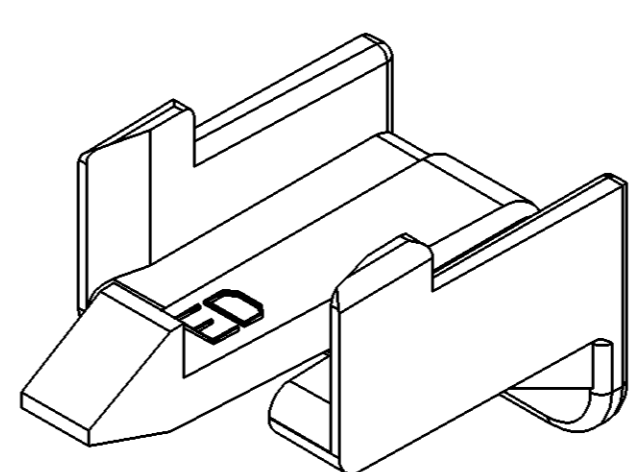
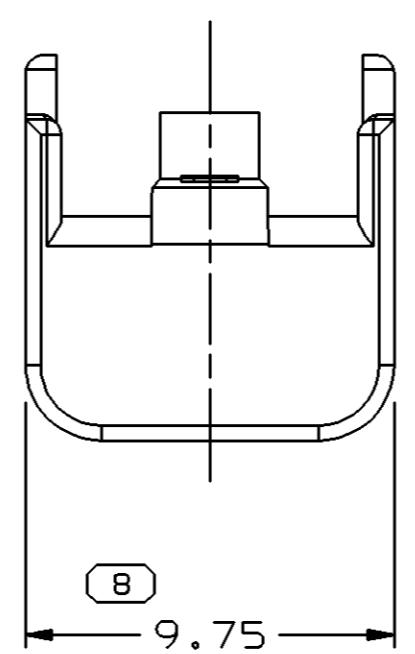
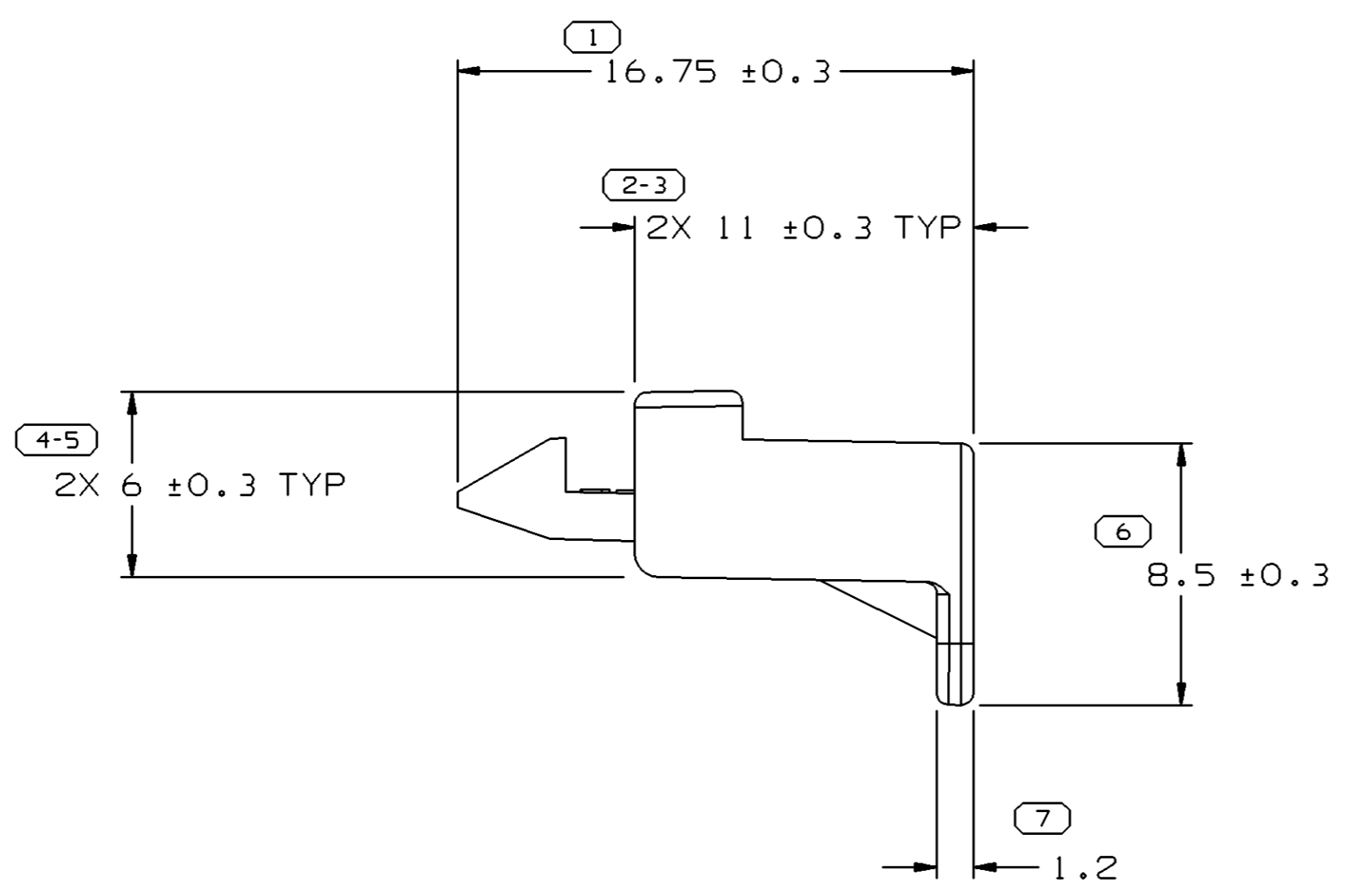
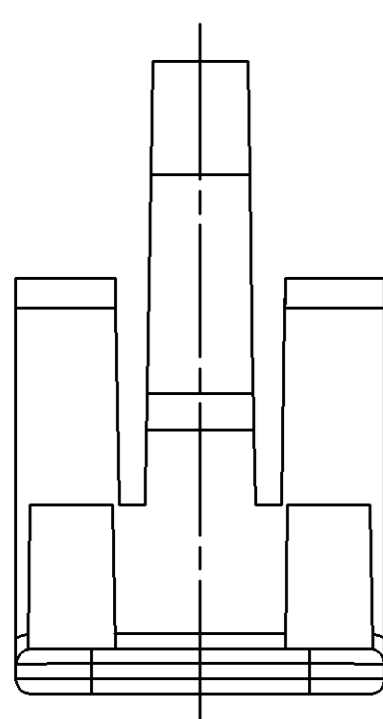
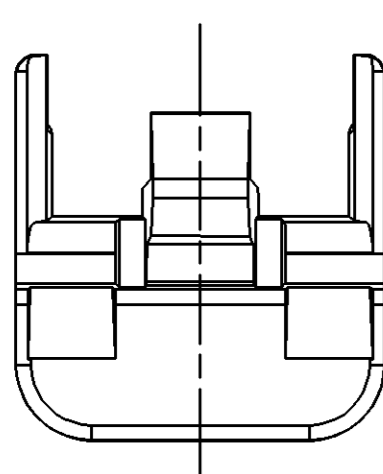
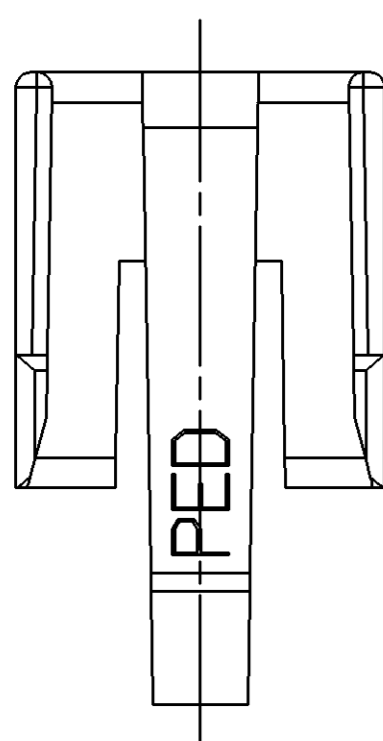


| SYMBOL DEFINITION | | | | MISSING NUMBERS | | | | DWG STATUS | | | | REVISION HISTORY | | | | AUTH | DR | CK | APVD | | | | | | | |
|-------------------|-----|-----|-----|-----------------|------|------|-----|------------|-----|-----|------|------------------|-----|-----|-----|------|------|------|--------|-----|-----|-----|------|--|--|--|
| DATE | STG | REV | CHG | N/P | ZONE | DATE | STG | REV | CHG | N/P | ZONE | DATE | STG | REV | CHG | N/P | ZONE | DATE | STG | REV | CHG | N/P | ZONE | | | |
| 24JA00 | R | A2 | - | - | | | | | | | | | | | | | | | 227333 | CRW | AUG | JH | | | | |



VIEW SCALE DOES NOT REFLECT ACTUAL PART SIZE

- NOTES
- UNLESS OTHERWISE SPECIFIED AND/OR INDICATED: DIMENSIONS ARE TO FACE OF VIEW SHOWN AND AUTOMATICALLY ROUNDED BY COMPUTER FOR INSPECTION. (SEE MATH MODEL FOR PRECISE DIMENSIONS.) FOR ALL OTHER DIMENSIONS NOT SHOWN BUT REQUIRED FOR TOOL BUILD, SEE MATH MODEL FOR PRECISE TOOL PATH DATA.
 - THIS PART IS NOT CONTROLLED FOR AUTOMATIC FEEDING.
 - THIS CPA IS USED ON CONNECTOR ASSEMBLIES SHOWN ON 12162435 TAXI DRAWING.

| DELPHI Automotive Systems | | | | | | | | | | | | | | | | | | | | | | | | | | | | | | | | | | | | | | |
|---|--------------------|--|----------------|------------------------|-------|--|--|---------|------|----|------|------|------|-------|---|----|----|----|-----|--|--------------------------------------|--|--|--|--|--|--|--|-------|------|------|------|------------------------|--|--|--|--|--|
| MATERIAL SPEC R0065644 PA6-BLU | | <table border="1"> <thead> <tr> <th colspan="4">DIMENSIONAL RANGE (MM)</th> <th>CHART E</th> </tr> <tr> <th>FROM</th> <th>TO</th> <th>> 20</th> <th>> 30</th> <th>> 70</th> <th>> 100</th> </tr> </thead> <tbody> <tr> <td>0</td> <td>20</td> <td>30</td> <td>70</td> <td>100</td> <td></td> </tr> <tr> <td colspan="6">TOLERANCE UNLESS OTHERWISE SPECIFIED</td> </tr> <tr> <td colspan="2"></td> <td>±0.15</td> <td>±0.2</td> <td>±0.3</td> <td>±0.4</td> </tr> <tr> <td colspan="6">ANGULAR TOLERANCE ± 2°</td> </tr> </tbody> </table> | | DIMENSIONAL RANGE (MM) | | | | CHART E | FROM | TO | > 20 | > 30 | > 70 | > 100 | 0 | 20 | 30 | 70 | 100 | | TOLERANCE UNLESS OTHERWISE SPECIFIED | | | | | | | | ±0.15 | ±0.2 | ±0.3 | ±0.4 | ANGULAR TOLERANCE ± 2° | | | | | |
| DIMENSIONAL RANGE (MM) | | | | CHART E | | | | | | | | | | | | | | | | | | | | | | | | | | | | | | | | | | |
| FROM | TO | > 20 | > 30 | > 70 | > 100 | | | | | | | | | | | | | | | | | | | | | | | | | | | | | | | | | |
| 0 | 20 | 30 | 70 | 100 | | | | | | | | | | | | | | | | | | | | | | | | | | | | | | | | | | |
| TOLERANCE UNLESS OTHERWISE SPECIFIED | | | | | | | | | | | | | | | | | | | | | | | | | | | | | | | | | | | | | | |
| | | ±0.15 | ±0.2 | ±0.3 | ±0.4 | | | | | | | | | | | | | | | | | | | | | | | | | | | | | | | | | |
| ANGULAR TOLERANCE ± 2° | | | | | | | | | | | | | | | | | | | | | | | | | | | | | | | | | | | | | | |
| PART DRAWING | | | | | | | | | | | | | | | | | | | | | | | | | | | | | | | | | | | | | | |
| CODE NUMBER 6900 | DWG DATE 13FE95 | SCALE 5:1 | DISTR CODE | | | | | | | | | | | | | | | | | | | | | | | | | | | | | | | | | | | |
| QC SPEC | STYLE | VOLUME cm ³ 0.332 | | | | | | | | | | | | | | | | | | | | | | | | | | | | | | | | | | | | |
| PART GEOMETRY 3D SOLID | | UNLESS OTHERWISE SPECIFIED: | | | | | | | | | | | | | | | | | | | | | | | | | | | | | | | | | | | | |
| CHANGE RESTRICTED NO MANUAL CHANGES | | PERFECT FORM REQUIRED FOR FEATURES OF SIZE AT MMC. TRUE POSITION TOLERANCES AND RELATED DATUMS APPLY AT CONDITION OF SIZE INDICATED IN FEATURE CONTROL FRAME. ALL OTHER GEOMETRIC TOLERANCES AND RELATED DATUMS APPLY RFS. SEPARATE TRUE POSITION CALLOUTS MAY BE GAGED SEPARATELY, REGARDLESS OF DATUM REFERENCE. | | | | | | | | | | | | | | | | | | | | | | | | | | | | | | | | | | | | |
| COPY OF MATH DATA DO NOT SCALE | | REFERENCE 001,701 | DATE | | | | | | | | | | | | | | | | | | | | | | | | | | | | | | | | | | | |
| METRIC UNLESS OTHERWISE SPECIFIED, ALL DIMENSIONS ARE IN MILLIMETERS | | APVD1 CLAUDIA WYLER | 24JA00 | | | | | | | | | | | | | | | | | | | | | | | | | | | | | | | | | | | |
| THIRD ANGLE PROJECTION | | APVD2 A UGALDE G | 27JA00 | | | | | | | | | | | | | | | | | | | | | | | | | | | | | | | | | | | |
| | | APVD3 | | | | | | | | | | | | | | | | | | | | | | | | | | | | | | | | | | | | |
| DRAWING NAME CPA AXIAL M/P | | APVD4 | | | | | | | | | | | | | | | | | | | | | | | | | | | | | | | | | | | | |
| SHEET NUMBER 1 OF 1 | | APVD5 | | | | | | | | | | | | | | | | | | | | | | | | | | | | | | | | | | | | |
| DRAWING NUMBER 12162768 | | DWG STATUS STG REV N/P R A2 - A1 | | | | | | | | | | | | | | | | | | | | | | | | | | | | | | | | | | | | |

PROCESS SENSITIVE DIMENSION
DIMENSIONS ENCLOSED IN () INDICATE REFERENCE DIMENSIONS AND NO TOLERANCE LIMITS ARE ESTABLISHED