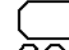
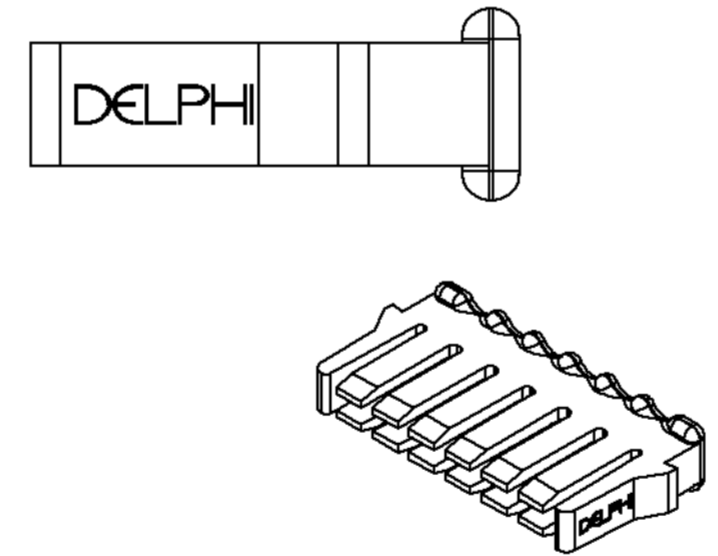
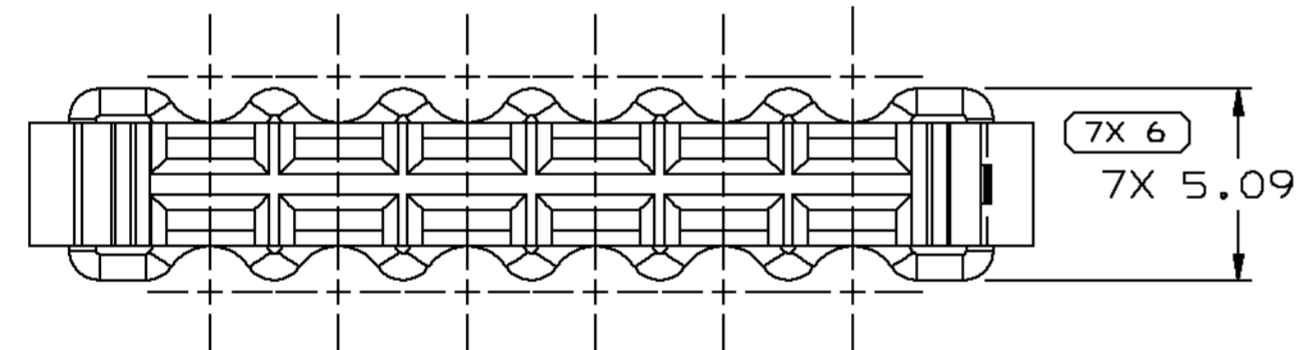
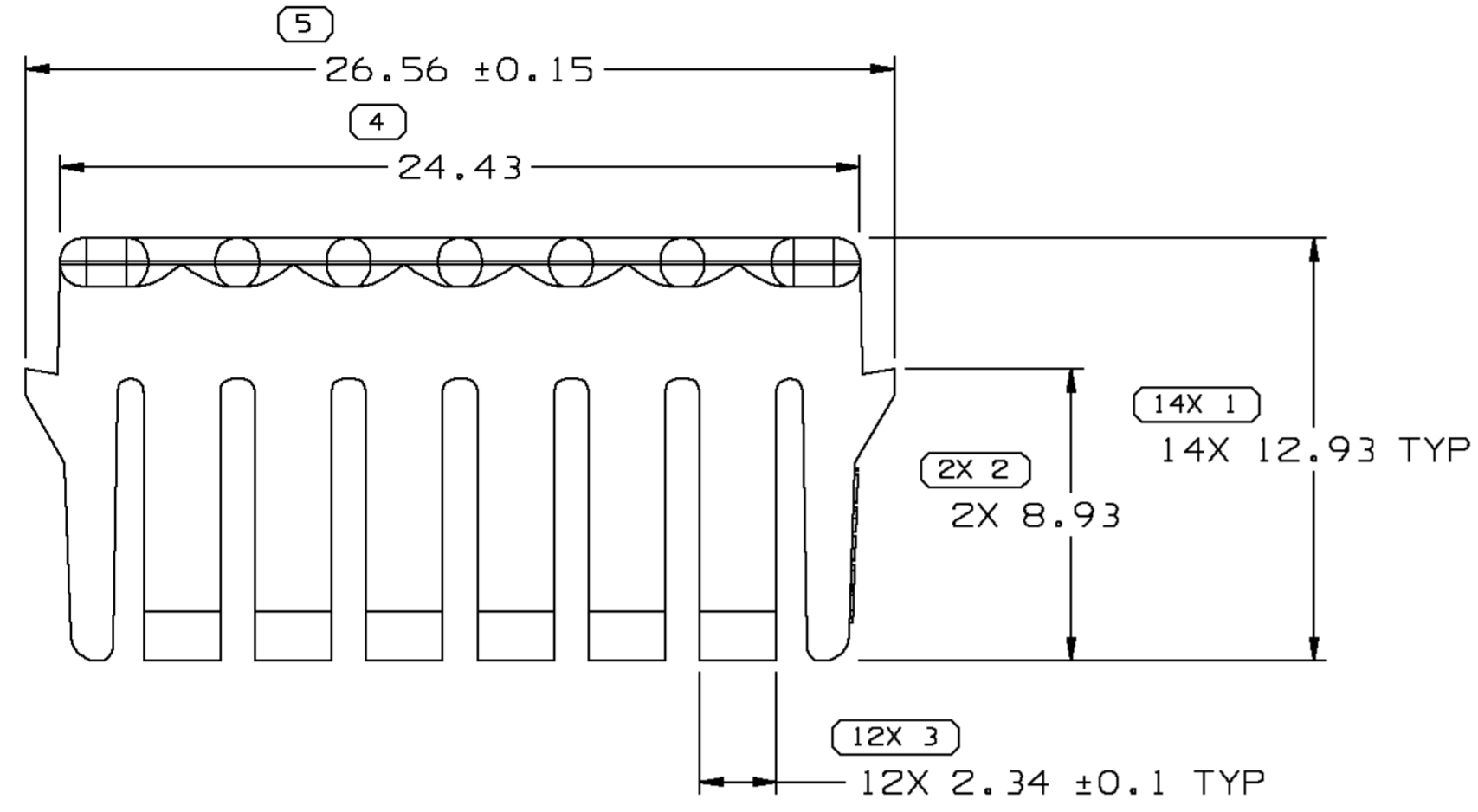


DELPHI PACKARD ELECTRIC SYSTEMS
WARREN, OHIO 44486

8 7 6 5 4 3 2 1

SYMBOL DEFINITION		
A DIMENSION WITHOUT AN INSPECTION REPORT SYMBOL  DOES NOT REQUIRE INSPECTION. IT MAY BE CONTROLLED ON THE INDIVIDUAL COMPONENT DRAWING.	TOTAL NO OF INSPECTIONS REQUIRED	37
	LAST NO. USED	6

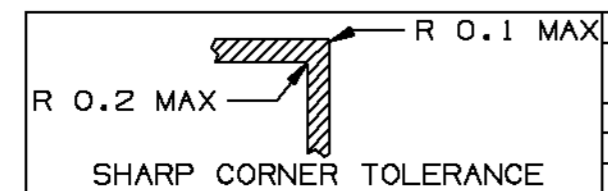
MISSING SYMBOLS					DWG STATUS				ZONE	REVISION HISTORY				AUTH	DR	CK	APVD	
DATE	STG	REV	CHG	N/P	DATE	STG	REV	CHG		N/P	DATE	STG	REV					CHG
08N001	R	001	-	-		08N001	R	001	-	-	WAS PE041998 & RELEASED				216893	FRG	FRG	GD
19N001	R	001	-	AA		19N001	R	001	-	AA	UPDATED PDM ATTRIBUTES				217354	MRL	MRL	GCD



VIEW SCALE DOES NOT REFLECT ACTUAL PART SIZE

NOTES

- UNLESS OTHERWISE SPECIFIED AND/OR INDICATED: DIMENSIONS ARE TO FACE OF VIEW SHOWN AND AUTOMATICALLY ROUNDED BY COMPUTER FOR INSPECTION (SEE MATH MODEL FOR PRECISE DIMENSIONS). FOR ALL OTHER DIMENSIONS NOT SHOWN BUT REQUIRED FOR TOOL BUILD, SEE MATH MODEL FOR PRECISE TOOL PATH DATA.
- MATING COMPONENTS OR EQUIVALENT: CONNECTOR 12176449 & 12176450



		DIMENSIONAL RANGE (MM)										CHART E1
FROM	TO	0	> 20	> 30	> 70	> 100	> 150	> 200	> 250	> 300	> 400	
TOLERANCE UNLESS OTHERWISE SPECIFIED												
		±0.15	±0.2	±0.3	±0.4	±0.5	±0.6	±0.8	±1	±1.2		
ANGULAR TOLERANCE ± 2°												

DELPHI
Automotive Systems


MATERIAL SPEC
R0071784 PA66 HS IM-GRA MED

SUBSTANCES OF CONCERN AND RECYCLED CONTENT PER DELPHI-A 10949001

PART DRAWING

CODE NUMBER 6900	DWG DATE 08N001	SCALE 5:1	D
QC SPEC	STYLE	VOLUME cm ³ 0.611	

PART GEOMETRY
3D SOLID



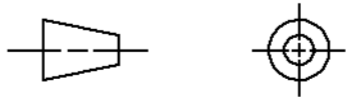
CHANGE RESTRICTED
NO MANUAL CHANGES

UNLESS OTHERWISE SPECIFIED:
THIS DOCUMENT IS IN ACCORDANCE WITH ASME Y14.5M - 1994 AS AMENDED BY THE GM GLOBAL DIMENSIONING AND TOLERANCING ADDENDUM - 1997. ALL GEOMETRIC TOLERANCES AND RELATED DATUMS APPLY RFS. RULE #1 (PERFECT FORM AT MMC) DOES NOT APPLY WHEN RELATIONSHIP BETWEEN FEATURES IS ESTABLISHED BY ORIENTATION OR LOCATION TOLERANCES. SEPARATE POSITION CALLOUTS MAY BE GAGED SEPARATELY REGARDLESS OF DATUM REFERENCES.

REFERENCE	DR	DATE
COPY OF MATH DATA DO NOT SCALE	APVD1 FCO. RESENDIZ	08N001
	APVD2 FCO. RESENDIZ	08N001
	APVD3 GARY DETTER	10N001
	APVD4	
	APVD5	

METRIC
UNLESS OTHERWISE SPECIFIED, ALL DIMENSIONS ARE IN MILLIMETERS

THIRD ANGLE PROJECTION



DRAWING NAME
TPA 12W GT 150

SHEET NUMBER	DRAWING NUMBER	DWG STATUS			SIZE
1 OF 1	12176451	STG	REV	N/P	A2
		R	001	AA	

8 7 6 5 4 3 2 1