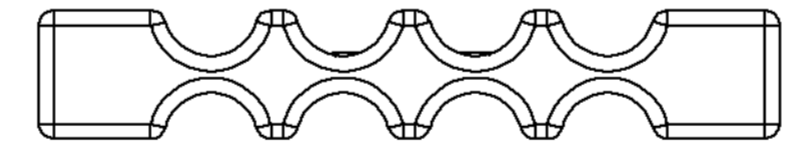
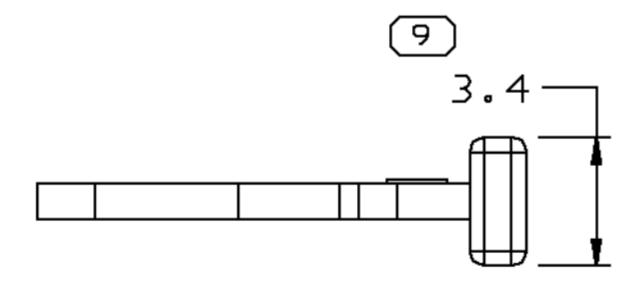
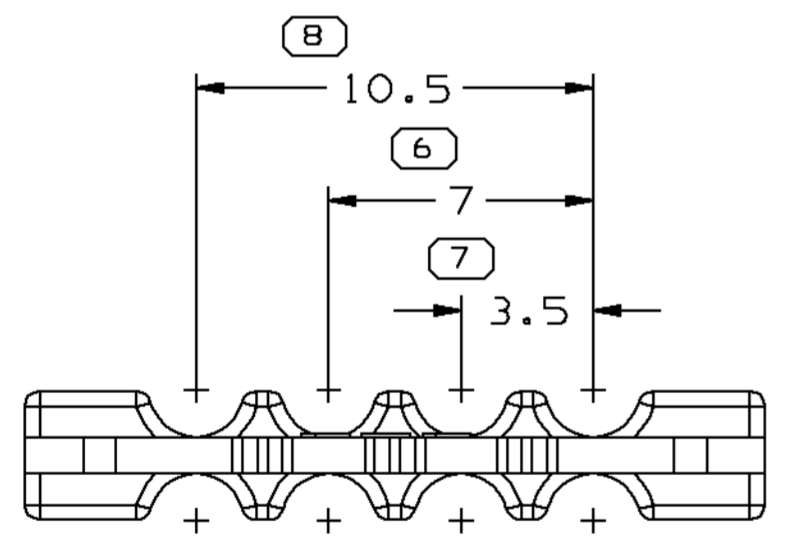
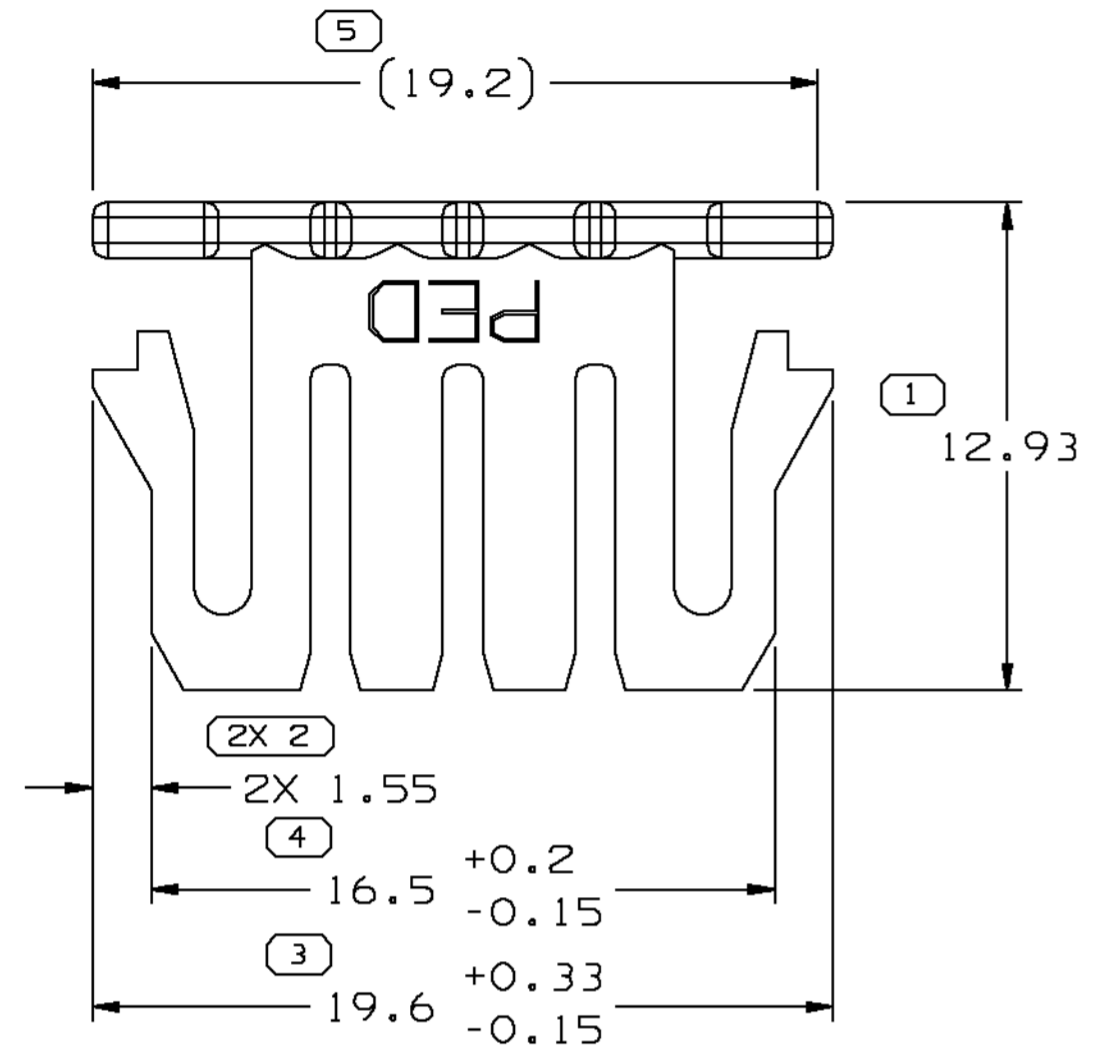


DELPHI PACKARD ELECTRIC SYSTEMS  
WARREN, OHIO 44486

SYMBOL DEFINITION		MISSING SYMBOLS	
A DIMENSION WITHOUT AN INSPECTION REPORT SYMBOL DOES NOT REQUIRE INSPECTION. IT MAY BE CONTROLLED ON THE INDIVIDUAL COMPONENT DRAWING.	TOTAL NO OF INSPECTIONS REQUIRED	NO MISSING SYMBOL NUMBER	10
	LAST NO. USED		9

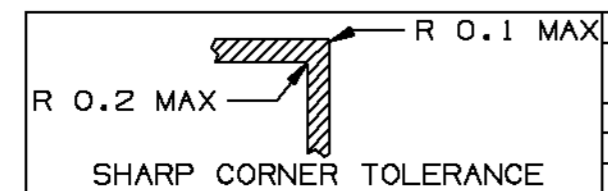
DWG STATUS					ZONE	REVISION HISTORY				AUTH	DR	CK	APVD
DATE	STG	REV	CHG	N/P									
10JA02	R	006	-	-		REDRAWN TO PART DRAWING; MATERIAL WAS R0064633 PA6 - GRN DK				219129	CJP	CJP	JS



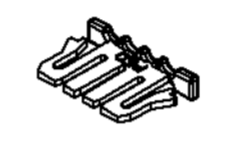
**NOTES**

- UNLESS OTHERWISE SPECIFIED AND/OR INDICATED: DIMENSIONS ARE TO FACE OF VIEW SHOWN AND AUTOMATICALLY ROUNDED BY COMPUTER FOR INSPECTION (SEE MATH MODEL FOR PRECISE DIMENSIONS). FOR ALL OTHER DIMENSIONS NOT SHOWN BUT REQUIRED FOR TOOL BUILD, SEE MATH MODEL FOR PRECISE TOOL PATH DATA.
- THIS PART IS NOT CONTROLLED FOR AUTOMATIC FEEDING.
- MATING COMPONENTS OR EQUIVALENT: CONNECTOR 12177260

PROCESS SENSITIVE DIMENSION  
DIMENSIONS ENCLOSED IN ( ) INDICATE REFERENCE DIMENSIONS AND NO TOLERANCE LIMITS ARE ESTABLISHED



FROM TO	DIMENSIONAL RANGE (MM)									CHART E1
	0 20	> 20 30	> 30 70	> 70 100	> 100 150	> 150 200	> 200 250	> 250 300	> 300 400	
TOLERANCE UNLESS OTHERWISE SPECIFIED										
	±0.15	±0.2	±0.3	±0.4	±0.5	±0.6	±0.8	±1	±1.2	
ANGULAR TOLERANCE ± 2°										



**DELPHI**  
Automotive Systems

MATERIAL SPEC  
R0100112 PBT - GREEN

SUBSTANCES OF CONCERN AND RECYCLED CONTENT PER DELPHI-A 10949001

**PART DRAWING**

CODE NUMBER 6901	DWG DATE 10AU94	SCALE 5:1	DISTR CODE D
QC SPEC	STYLE	VOLUME cm <sup>3</sup> 0.192	

PART GEOMETRY 3D MODEL

UNLESS OTHERWISE SPECIFIED:  
THIS DOCUMENT IS IN ACCORDANCE WITH ASME Y14.5M - 1994 AS AMENDED BY THE GM GLOBAL DIMENSIONING AND TOLERANCING ADDENDUM - 1997. ALL GEOMETRIC TOLERANCES AND RELATED DATUMS APPLY RFS. RULE #1 (PERFECT FORM AT MMC) DOES NOT APPLY WHEN RELATIONSHIP BETWEEN FEATURES IS ESTABLISHED BY ORIENTATION OR LOCATION TOLERANCES. SEPARATE POSITION CALLOUTS MAY BE GAGED SEPARATELY REGARDLESS OF DATUM REFERENCES.

REFERENCE	DR	DATE
	A. UGALDE	10AU94
	APVD1 C. MARGRAVE	13FE95
	APVD2 J. SVETTE	15FE95
	APVD3 J. SVETTE	28JL95
	APVD4	
	APVD5	

COPY OF MATH DATA DO NOT SCALE

METRIC UNLESS OTHERWISE SPECIFIED, ALL DIMENSIONS ARE IN MILLIMETERS

THIRD ANGLE PROJECTION

DRAWING NAME  
TPA 4F GT150

SHEET NUMBER 1 OF 1	DRAWING NUMBER 12177034	DWG STATUS STG REV N/P R 006 -	SIZE A2
------------------------	----------------------------	--------------------------------------	------------