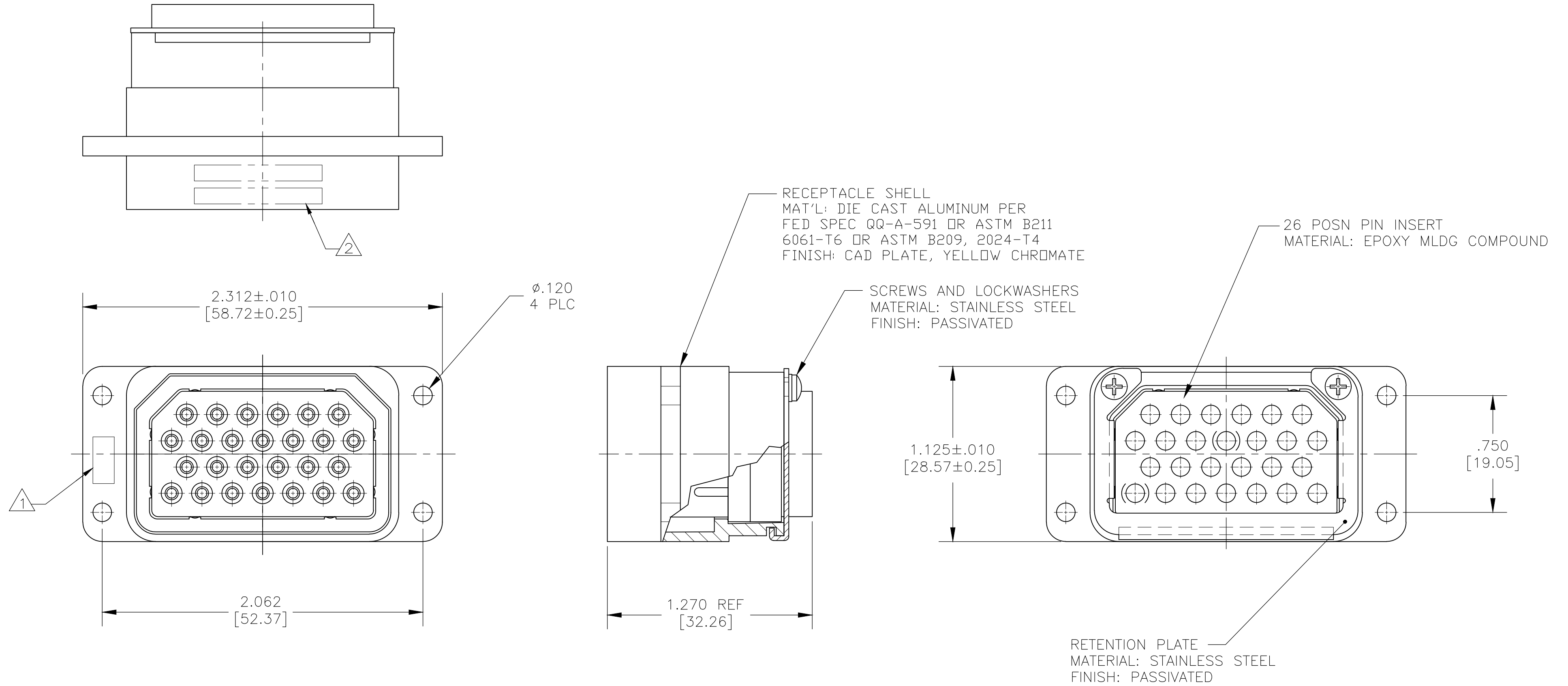


| REVISIONS |     |                       |         |     |      |
|-----------|-----|-----------------------|---------|-----|------|
| P         | LTR | DESCRIPTION           | DATE    | DWN | APVD |
| B         |     | REV PER ECO 20-008137 | 6-15-20 | CT  | RL   |



- △ AMP MARKED ON THIS SURFACE
- △ TE PART NUMBER AND DATE CODE AND DESCRIPTIVE NUMBER MARKED ON THIS SURFACE

1218203-1  
 PART NUMBER

|  |   |                            |  |              |                 |   |   |       |   |   |       |   |             |       |   |   |        |   |   |                   |            |                    |                         |
|--|---|----------------------------|--|--------------|-----------------|---|---|-------|---|---|-------|---|-------------|-------|---|---|--------|---|---|-------------------|------------|--------------------|-------------------------|
| THIS DRAWING IS A CONTROLLED DOCUMENT.   |   | DWN<br>C.C.THOMAS<br>3-114 |  |              |                 |   |   |       |   |   |       |   |             |       |   |   |        |   |   |                   |            |                    |                         |
| DIMENSIONS:<br>INCHES  |   | CHK<br>D. EABY<br>3-13-14  |  |              |                 |   |   |       |   |   |       |   |             |       |   |   |        |   |   |                   |            |                    |                         |
| TOLERANCES UNLESS OTHERWISE SPECIFIED:   |   | APVD<br>D. EABY<br>3-13-14 | NAME<br>RECEPTACLE ASSEMBLY, ARINC 404,<br>RMA1R26P-00 (201) |              |                 |   |   |       |   |   |       |   |             |       |   |   |        |   |   |                   |            |                    |                         |
| <table border="1"> <tr><td>0 PLC</td><td>±</td><td>-</td></tr> <tr><td>1 PLC</td><td>±</td><td>-</td></tr> <tr><td>2 PLC</td><td>±</td><td>-</td></tr> <tr><td>3 PLC</td><td>±</td><td>.005 [0.13]</td></tr> <tr><td>4 PLC</td><td>±</td><td>-</td></tr> <tr><td>ANGLES</td><td>±</td><td>-</td></tr> </table> |   | 0 PLC                      | ±  | -            | 1 PLC           | ± | - | 2 PLC | ± | - | 3 PLC | ± | .005 [0.13] | 4 PLC | ± | - | ANGLES | ± | - | PRODUCT SPEC<br>- | SIZE<br>A2 | CAGE CODE<br>00779 | DRAWING NO<br>C=1218203 |
| 0 PLC  | ± | -                          |  |              |                 |   |   |       |   |   |       |   |             |       |   |   |        |   |   |                   |            |                    |                         |
| 1 PLC  | ± | -                          |  |              |                 |   |   |       |   |   |       |   |             |       |   |   |        |   |   |                   |            |                    |                         |
| 2 PLC  | ± | -                          |  |              |                 |   |   |       |   |   |       |   |             |       |   |   |        |   |   |                   |            |                    |                         |
| 3 PLC  | ± | .005 [0.13]                |  |              |                 |   |   |       |   |   |       |   |             |       |   |   |        |   |   |                   |            |                    |                         |
| 4 PLC  | ± | -                          |  |              |                 |   |   |       |   |   |       |   |             |       |   |   |        |   |   |                   |            |                    |                         |
| ANGLES   | ± | -                          |  |              |                 |   |   |       |   |   |       |   |             |       |   |   |        |   |   |                   |            |                    |                         |
| MATERIAL<br>SEE CALLOUTS   |   | FINISH<br>SEE CALLOUTS     | WEIGHT<br>0.000000   | SCALE<br>2:1 | SHEET<br>1 of 1 |   |   |       |   |   |       |   |             |       |   |   |        |   |   |                   |            |                    |                         |
| CUSTOMER DRAWING   |   |                            | RESTRICTED TO<br>-   | REV<br>B     |                 |   |   |       |   |   |       |   |             |       |   |   |        |   |   |                   |            |                    |                         |