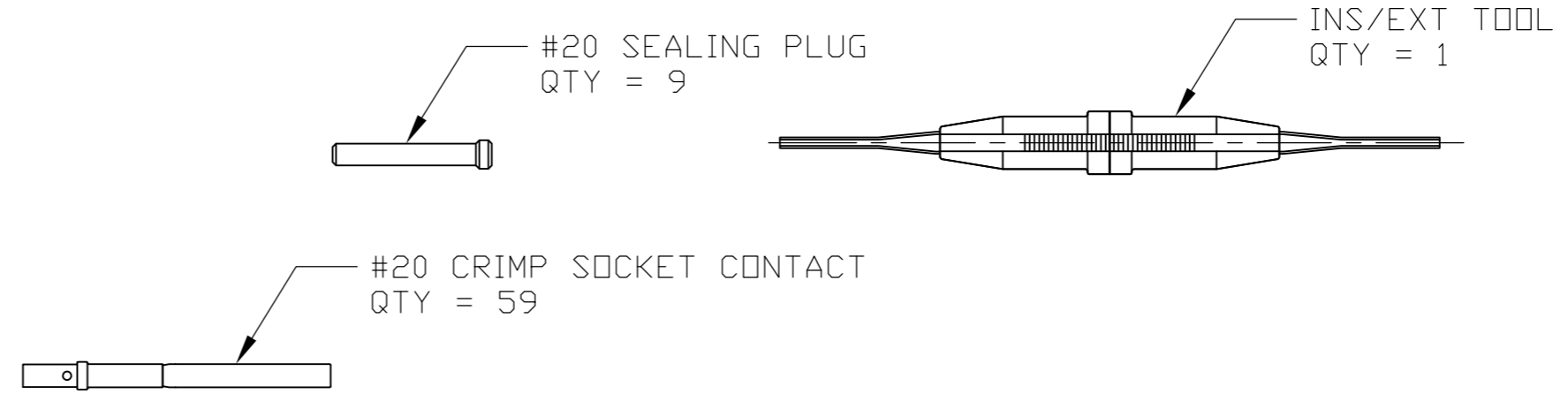
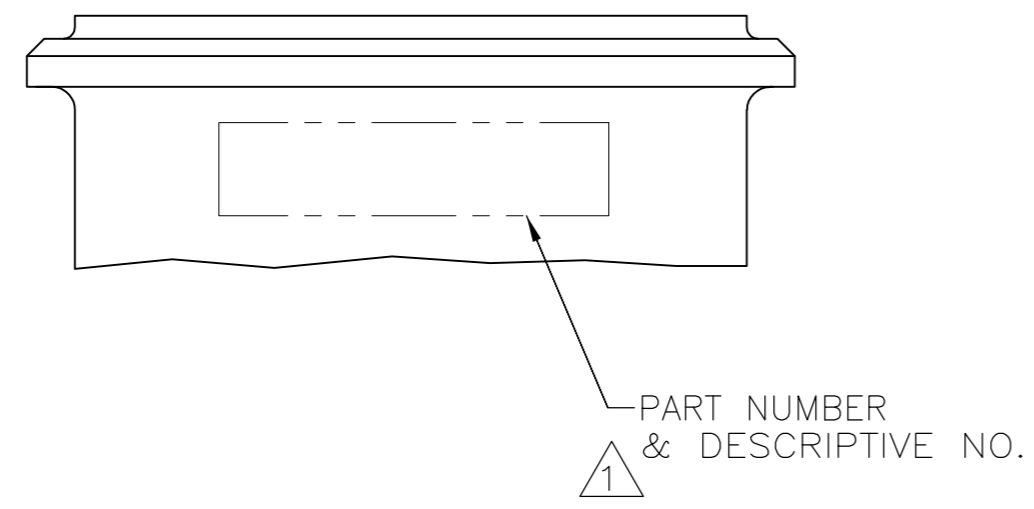
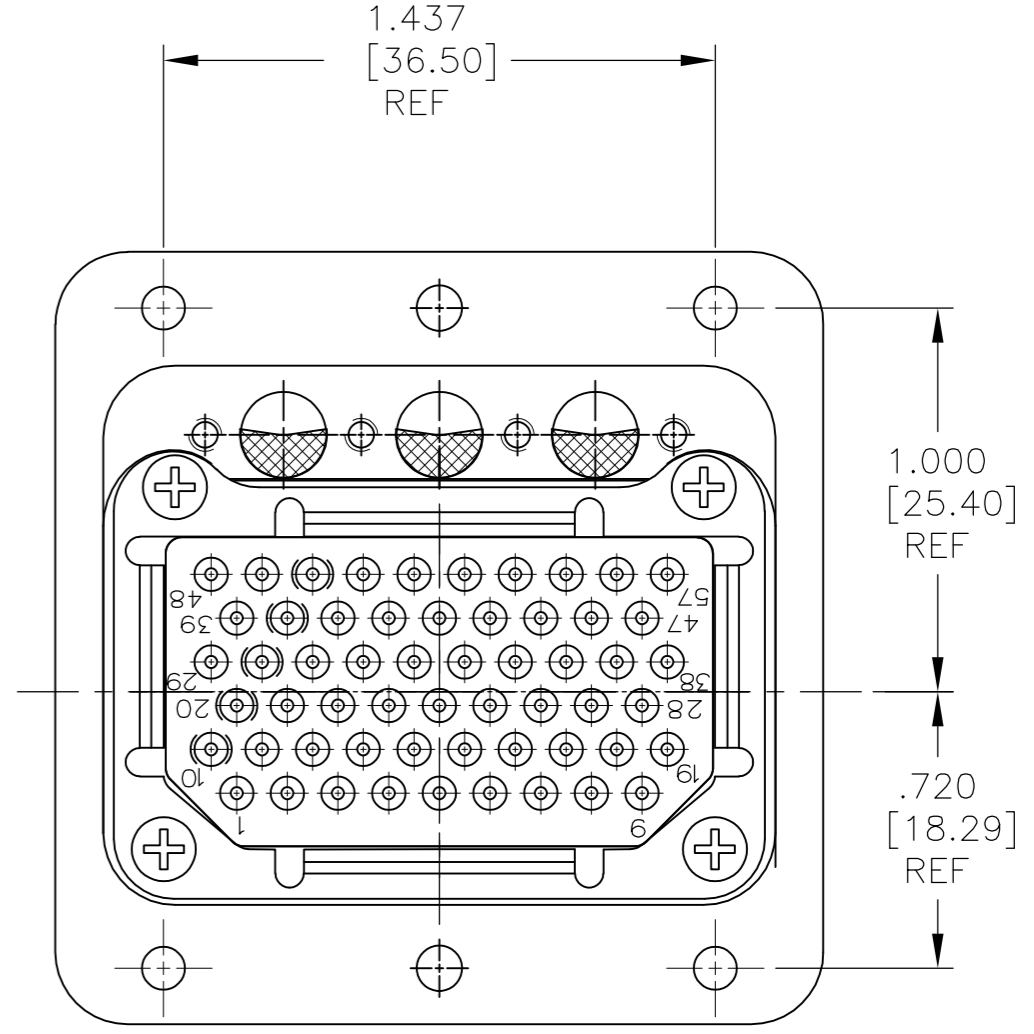
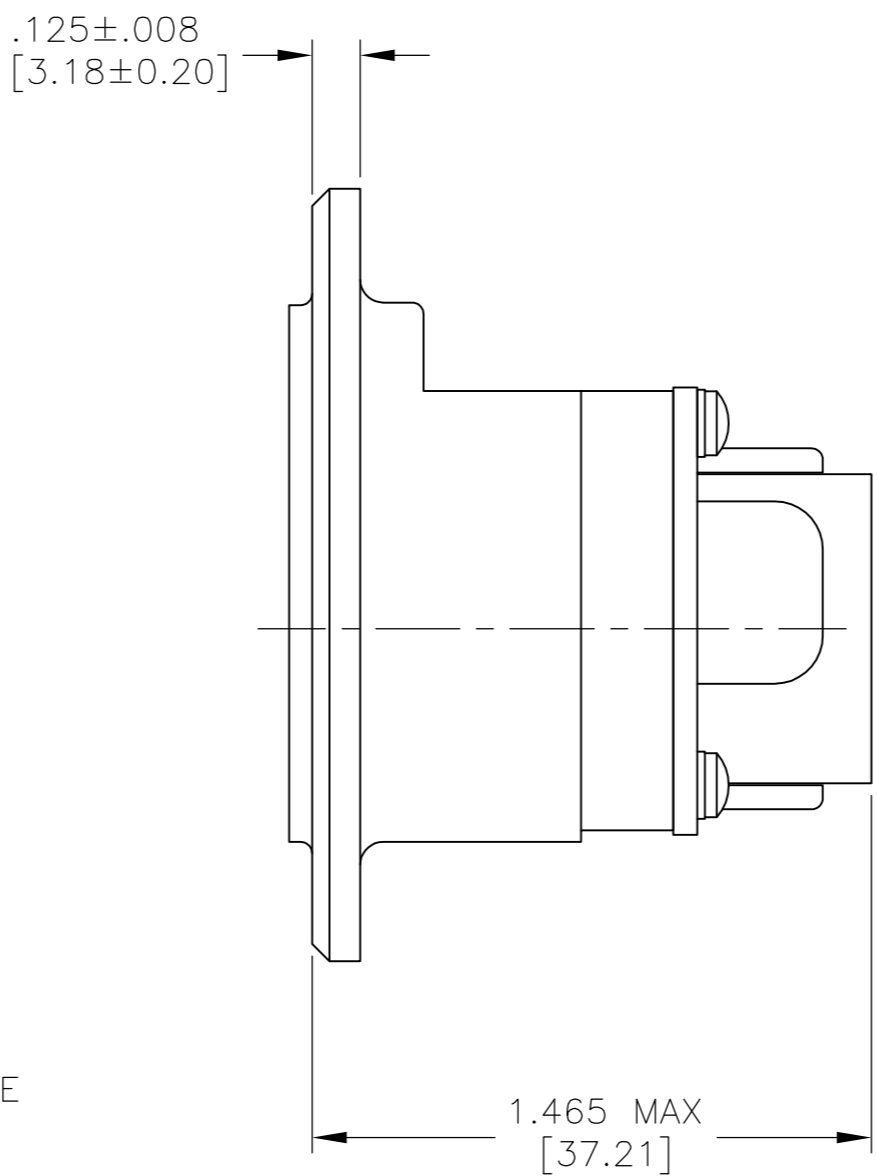
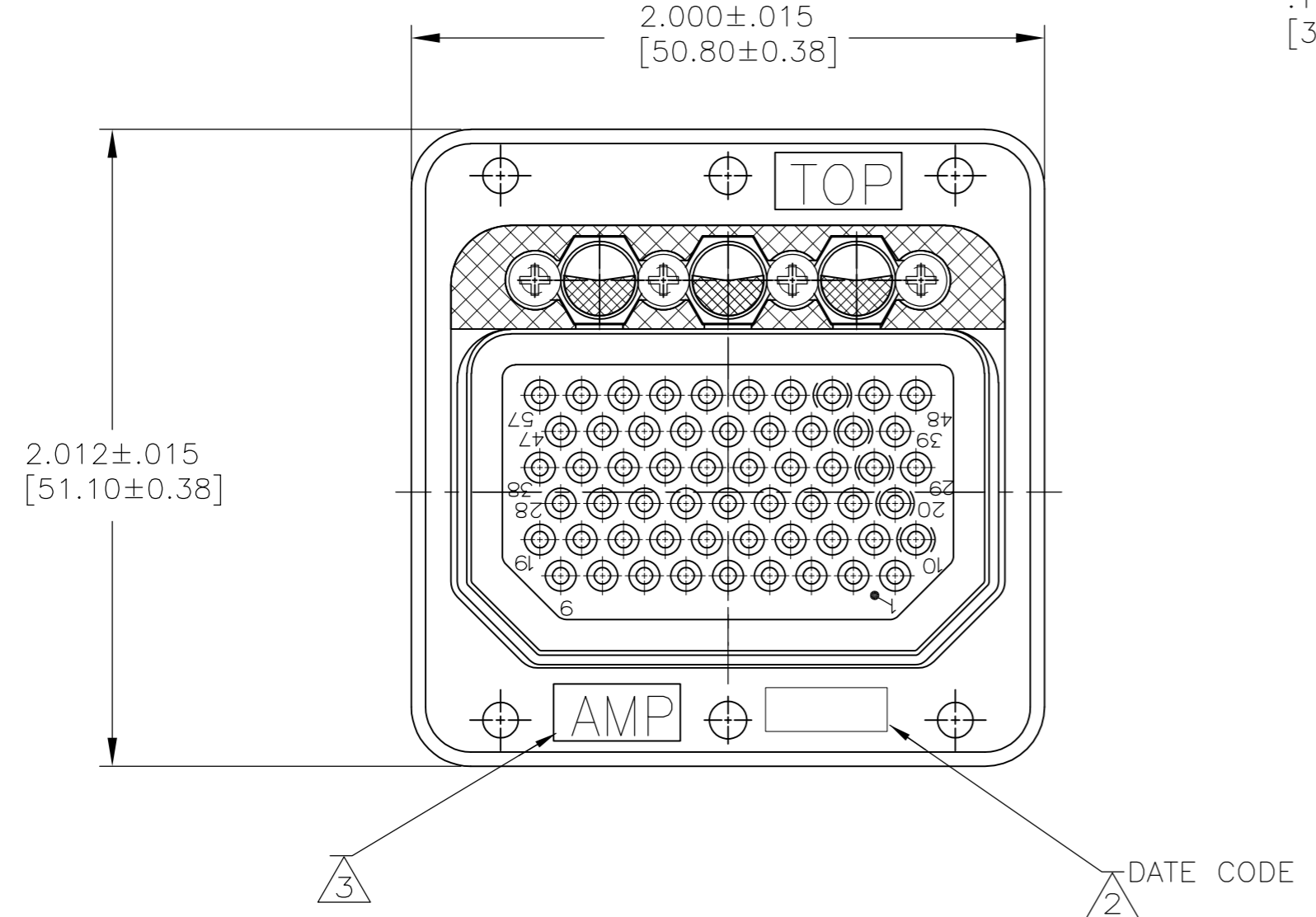


THIS DRAWING IS UNPUBLISHED. RELEASED FOR PUBLICATION  
 © COPYRIGHT - By - ALL RIGHTS RESERVED.

LOC		DIST		REVISIONS			
P	LTR	DESCRIPTION		DATE	DWN	APVD	
	A	RELEASED		3-13-14	CT	DE	

- 1. TE PART NO. AND DESCRIPTIVE PART NO. MARKED IN THESE AREAS.
- 2. "AMP" AND DATE CODE MARKED IN THIS AREA.
- 3. KEYING ASSEMBLED IN THE "01" POSITION.
- 4. MATERIAL AND FINISH:  
 SHELL: DIE CAST ALUMINUM ALLOY PER FED. SPEC QQ-A-591.  
 STANDARD FINISH: CADMIUM PLATE PER QQ-P-416, TYPE I,  
 CLASS 2 YELLOW CHROMATE CONVERSION.  
 INSERT RETENTION PLATE: ALUMINUM ALLOY, BLUE ANODIZE  
 PER MIL-A-8625.  
 SCREWS AND WASHERS: STAINLESS STEEL, PASSIVATED.  
 POLARIZING POSTS: STAINLESS STEEL, PASSIVATED.  
 POLARIZING NUTS: BRASS, CADMIUM PLATED.



1218639-1  
 PART NUMBER

THIS DRAWING IS A CONTROLLED DOCUMENT.		DWN	C.C.THOMAS	3-13-14	 TE Connectivity	NAME		CONN ASSY,ARINC 404,MME1R57S-0001 (204)															
DIMENSIONS:		CHK	D.EABY	3-13-14		SIZE	CAGE CODE	DRAWING NO	RESTRICTED TO														
INCHES [mm]		APVD	D.EABY	3-13-14		A2	00779	C=1218639	-														
<table border="1"> <tr> <th colspan="2">TOLERANCES UNLESS OTHERWISE SPECIFIED:</th> </tr> <tr> <td>0 PLC</td> <td>± -</td> </tr> <tr> <td>1 PLC</td> <td>± -</td> </tr> <tr> <td>2 PLC</td> <td>± -</td> </tr> <tr> <td>3 PLC</td> <td>± .005 [0.13]</td> </tr> <tr> <td>4 PLC</td> <td>± -</td> </tr> <tr> <td>ANGLES</td> <td>± -</td> </tr> </table>		TOLERANCES UNLESS OTHERWISE SPECIFIED:		0 PLC		± -	1 PLC	± -	2 PLC	± -	3 PLC	± .005 [0.13]	4 PLC	± -	ANGLES	± -	PRODUCT SPEC	-	WEIGHT	-	SCALE	2:1	SHEET
TOLERANCES UNLESS OTHERWISE SPECIFIED:																							
0 PLC	± -																						
1 PLC	± -																						
2 PLC	± -																						
3 PLC	± .005 [0.13]																						
4 PLC	± -																						
ANGLES	± -																						
MATERIAL	-	FINISH	-	CUSTOMER DRAWING		REV	A																