


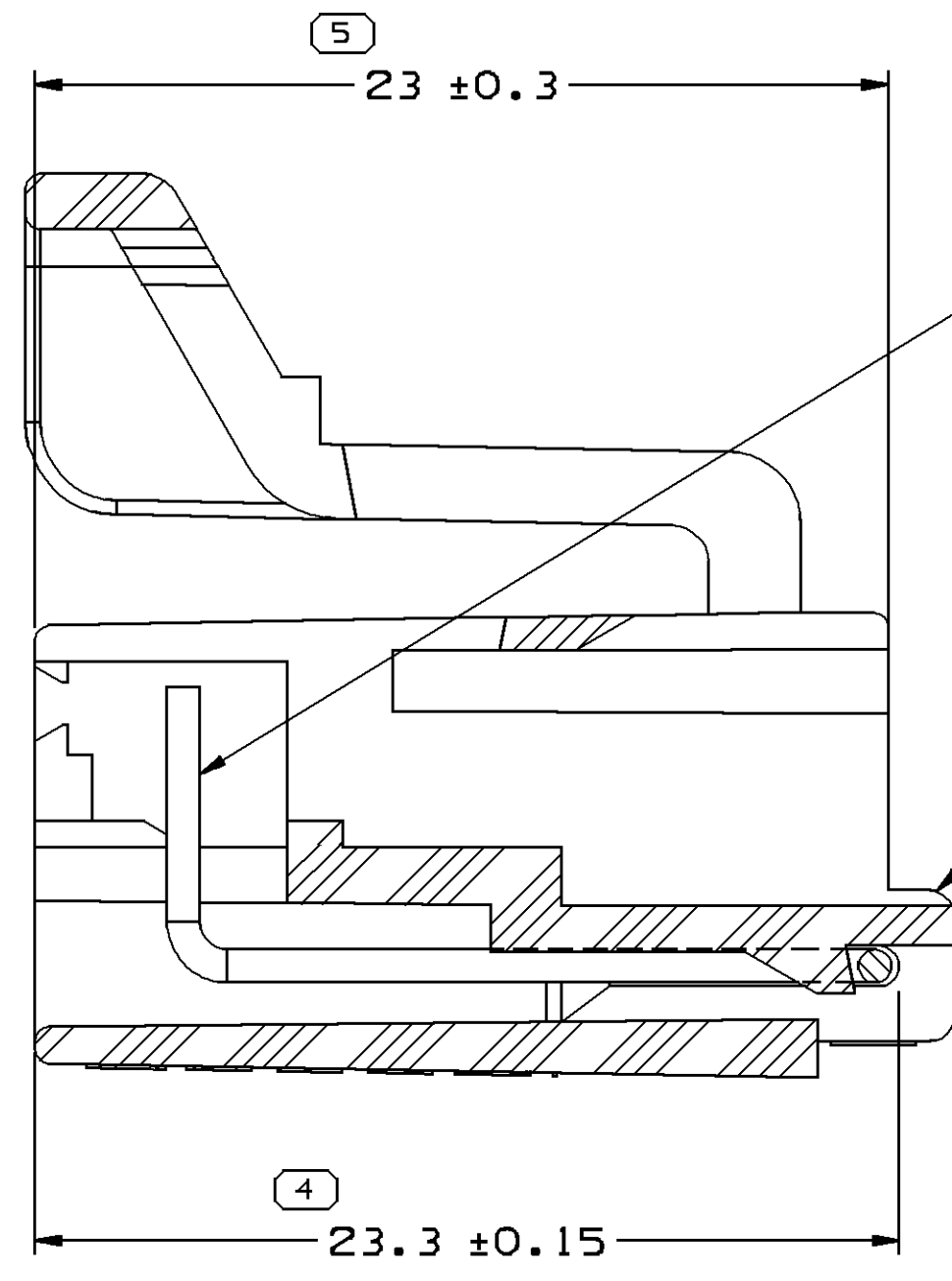
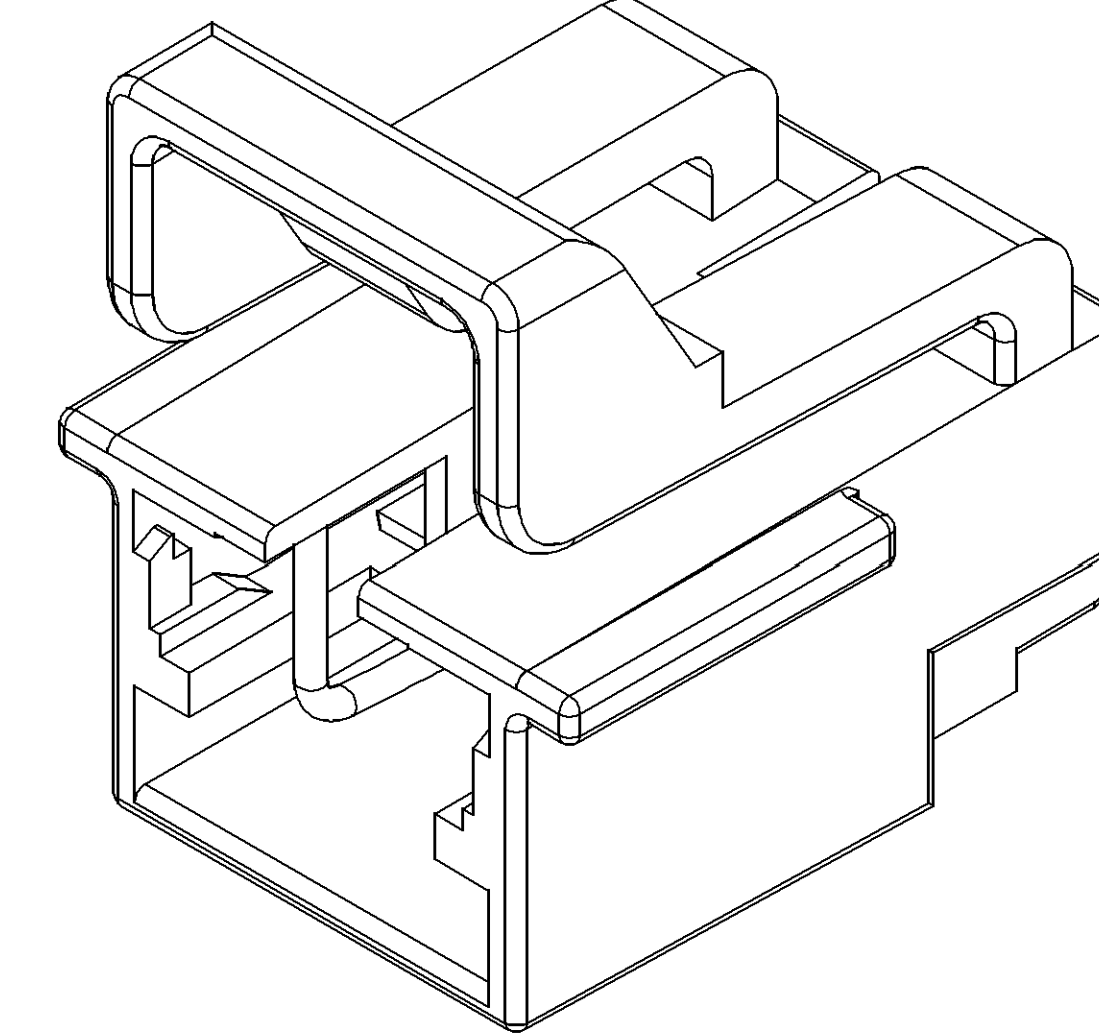
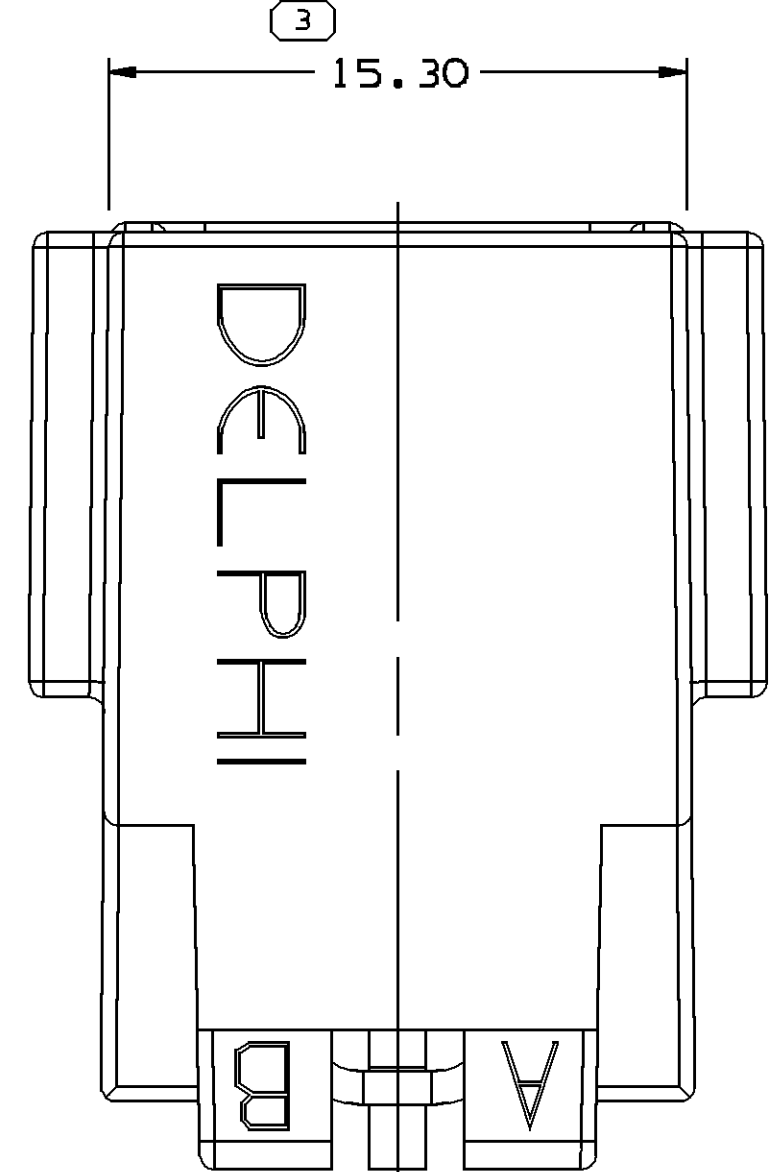
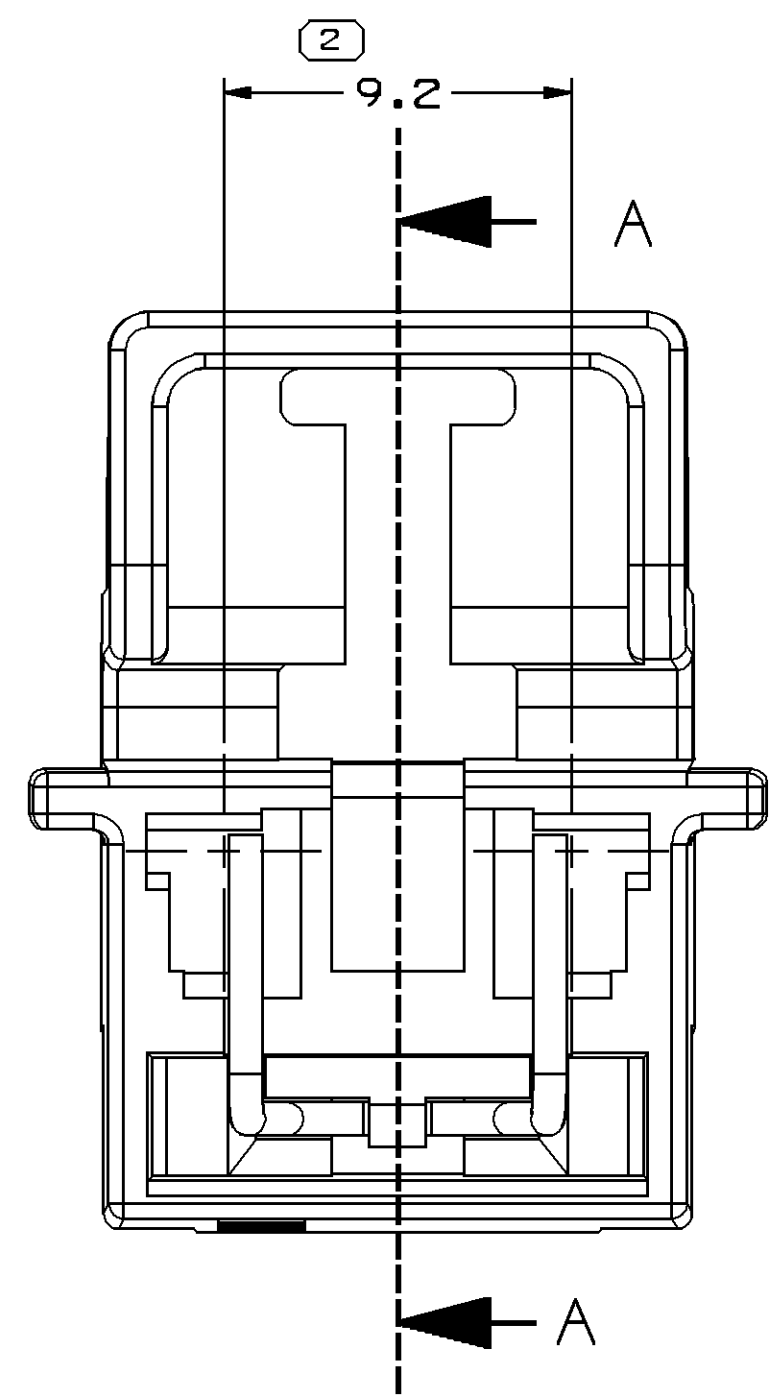
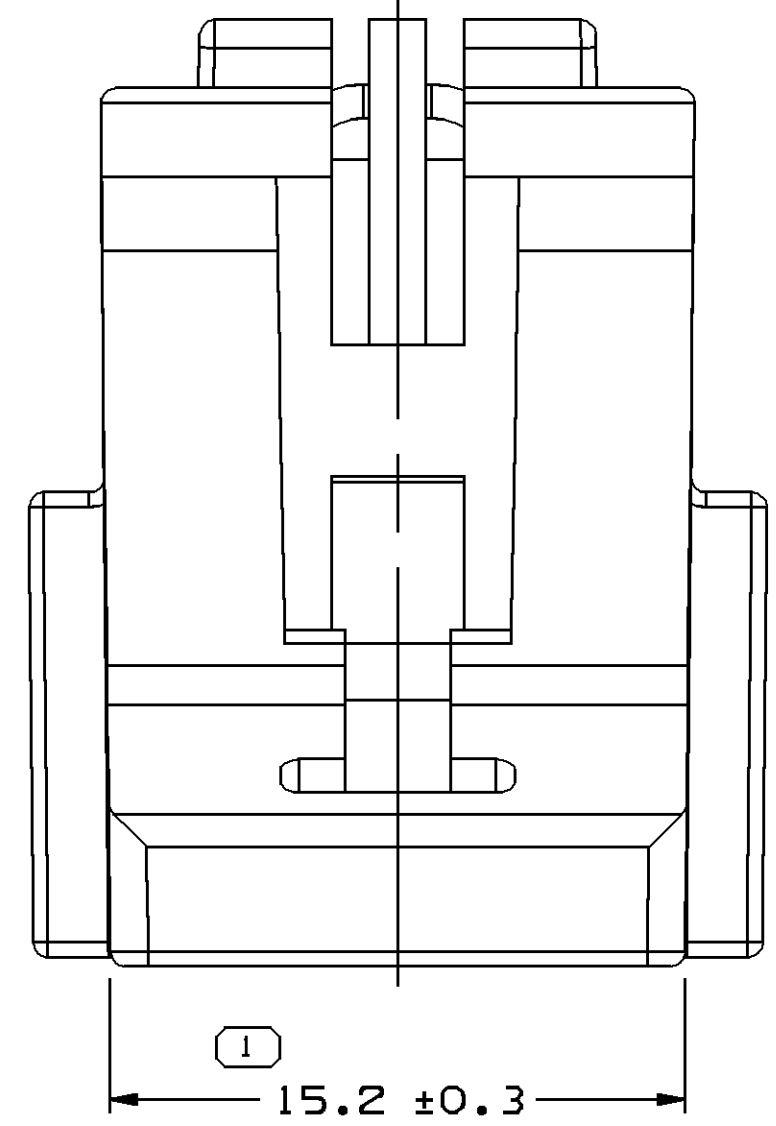


SYMBOL DEFINITION		
A DIMENSION WITHOUT AN INSPECTION REPORT SYMBOL  OR  DOES NOT REQUIRE INSPECTION. IT MAY BE CONTROLLED ON THE INDIVIDUAL COMPONENT DRAWING.	TOTAL NO OF INSPECTIONS REQUIRED	5
 INDICATES THE DIMENSION IS SHOWN ON THE PART DRAWING AND THE TOOL MUST BE QUALIFIED AT 80% OF THE TOLERANCE SHOWN UNLESS SUPERSEDED BY A "TBT".	LAST NO. USED	5

MISSING SYMBOLS	
NO MISSING SYMBOL NUMBER	

DWG STATUS					REVISION HISTORY			AUTH	DR	APVD1	APVD2
DATE	STG	REV	N/P	CHG	ZONE						
20SE97	-	A	-	-		RELEASED		970005	RCH	JIB	JIB
270C06	R	A1	-	-		ADDED NOTE 9 AND UPDATED DRAWING FORMAT		286202	MM	MM	RR
23AP07	R	A2	-	-		REVISION LEVEL A1 WAS 01AA		401193	RH	RH	RR



SECTION A - A

SHORTING CLIP - (SEE CHART)
CONN BODY - (SEE CHART)

NOTES:

- DIMENSIONS ARE TO FACE OF VIEW SHOWN AND AUTOMATICALLY ROUNDED BY COMPUTER FOR INSPECTION. (SEE MATH MODEL FOR PRECISE DIMENSION) FOR ALL OTHER DIMENSIONS NOT SHOWN BUT REQUIRED FOR TOOL BUILD, SEE MATH MODEL FOR PRECISE TOOL PATH DATA.
- CAVITIES TO ACCEPT 12034046 TERMINAL OR EQUIVALENT.
- MATING CONNECTOR 12186989 OR EQUIVALENT.
- CONNECTOR TO ACCEPT 12077922 SECONDARY LOCK (TPA) OR EQUIVALENT.
- THIS CONNECTOR TO ACCEPT 12077979 CONNECTOR POSITION ASSURANCE (CPA) OR EQUIVALENT.
- 12077920 CLIP MUST BE FULLY SEATED IN 12186990 CONN BODY.
- SEALING CODE 0 - UNSEALED.
- REFERENCE VPS# B-32 12077921 SHORTING CLIP ASSEMBLY.
- REFERENCE VPS# B-216 FOR ALLOWABLE TOOL MARKS.

12186991	A2	-	-	12186990	12077920
ASM PART NO	REV	N/P	STATUS	CONNECTOR	SHORTING CLIP

DIMENSIONAL RANGE (MM)		CHART ET	
FROM	TO	>20	>300
>0	>20	>30	>100
>20	>30	>70	>150
>30	>70	>100	>200
>70	>100	>150	>250
>100	>150	>200	>300
>150	>200	>250	>400

TOLERANCE UNLESS OTHERWISE SPECIFIED
 ±0.15 | ±0.2 | ±0.3 | ±0.4 | ±0.5 | ±0.6 | ±0.8 | ±1 | ±1.2
 ANGULAR TOLERANCE ±2°

DWG TYPE PART DRAWING	
STYLE	
VOLUME (C/P)	DISTR CODE D
UNLESS OTHERWISE SPECIFIED THIS DOCUMENT IS IN ACCORDANCE WITH ASME Y14.5M-1994 AS AMENDED BY THE GM GLOBAL DIMENSIONING AND TOLERANCING ADDENDUM-2001. SEPARATE PATTERNS OF FEATURES MAY BE GAGED SEPARATELY REGARDLESS OF DATUM REFERENCES.	
ALL DIMENSIONS ARE IN MILLIMETERS	
REFERENCE	
THIRD ANGLE PROJECTION	DO NOT SCALE USE MATH DATA

DELPHI	
DELPHI PACKARD ELECTRICAL/ELECTRONIC ARCHITECTURE WARREN, OH	
DR	DATE
APVD1 R. CHACON	20SE97
APVD2 J. BANZO	20SE97
APVD3 O. GALLEGOS	140C97
APVD4	
APVD5	
SUBSTANCES OF CONCERN AND RECYCLED CONTENT PER DELPHI 10945001	
MATERIAL SEE DRAWING	
DRAWING NAME ASM CONN 2 F M/P 280 YEL	
DRAWING NUMBER 12186991	
SIZE A1	SCALE 5:1
FRAME NO 1 OF 1	SHEET NO 1 OF 1
STG R	REV A2