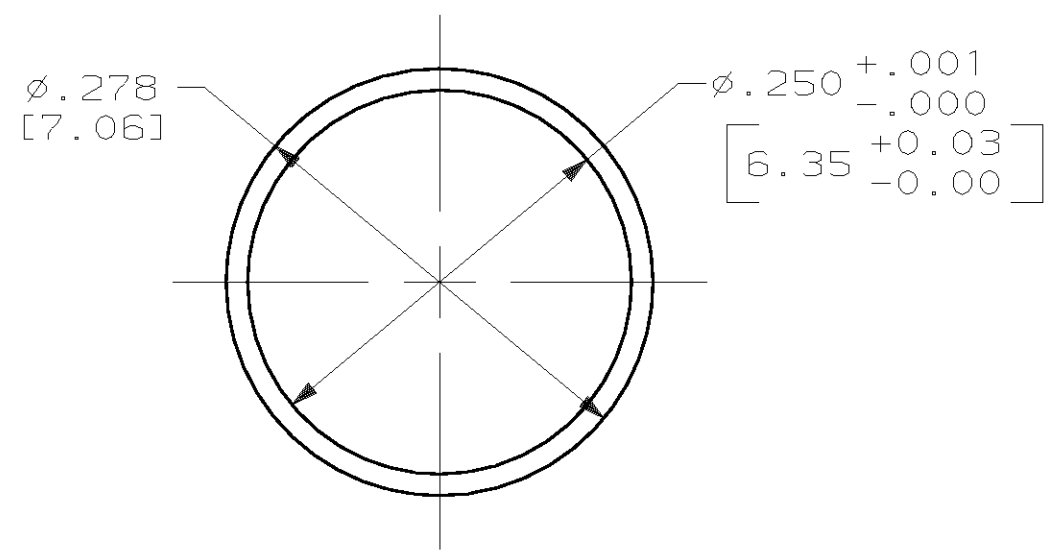
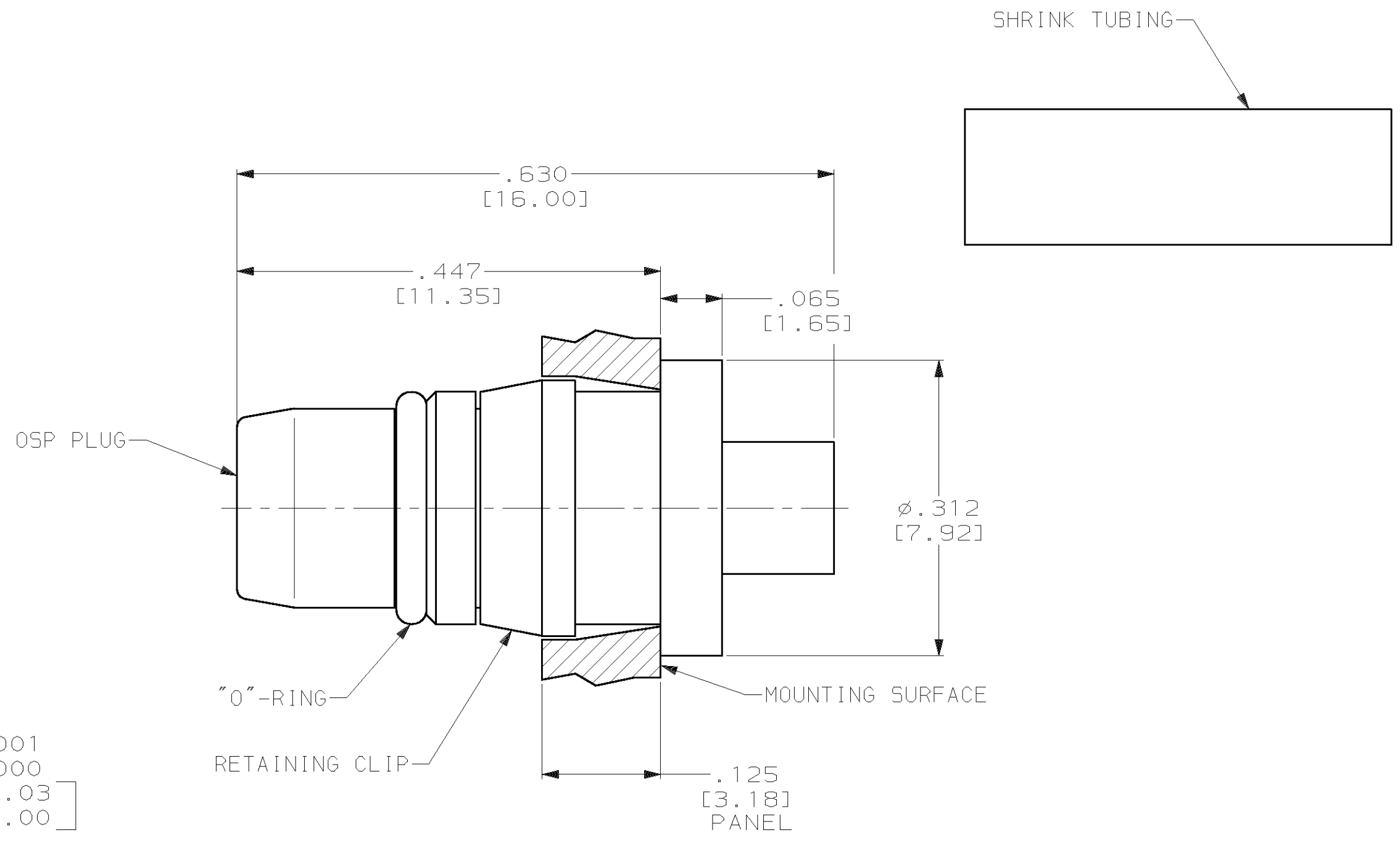


THIS DRAWING IS UNPUBLISHED. RELEASED FOR PUBLICATION  
 (C) COPYRIGHT 19 BY AMP INCORPORATED. ALL RIGHTS RESERVED.

LOC		DIST		REVISIONS			
P	LTR	DESCRIPTION	DATE	DWN	APVD		
DF	XO	0	RELEASED	10-01	CT	RG	

COMPONENT	MATERIAL	FINISH
HOUSING CLAMP NUT MOUNTING NUT	STAINLESS STEEL PER ASTM-A-484 OR ASTM-A-582 TYPE 303	GOLD PLATED PER ASTM-B-488
DIELECTRIC	PTFE FLUORCARBON PER ASTM-D-1457	-
CENTER CONTACT	BERYLLIUM COPPER PER ASTM-B-196 OR ASTM-B-197 ALLOY C17300, CONDITION H	GOLD PLATED PER ASTM-B-488
"O"-RING	BUNA-N PER MIL-P-25732	-
SHRINK TUBING	HEAT SHRINKABLE POLYOLEFIN COMPOUND PER MIL-I-23053/4	-



RECOMMENDED MOUNTING HOLE

1218776-1  
PART NO.

DESIGNED TO USE .085 SR CABLE CABLE ENTRY DIAMETER MIN		THIS DRAWING IS A CONTROLLED DOCUMENT.		DWN C.C. THOMAS 10-3-01 CHK R.GROSS 10-3-01 APVD R.GROSS 10-3-01		AMP TYCO Electronics Corporation Harrisburg, PA 17105-3608	
HOUSING: .089	MATERIAL SEE TABLE	DIMENSIONS: INCHES [mm]		TOLENCES UNLESS OTHERWISE SPECIFIED:		NAME OSP REAR MOUNT FEED-THRU CABLE PLUG, RF	
CONTACT: .020	FINISH SEE TABLE	0 PLC ±- 1 PLC ±- 2 PLC ±- 3 PLC ±.005 [0.13] 4 PLC ±- ANGLES ±-		PRODUCT SPEC - APPLICATION SPEC - WEIGHT -		SIZE A2 CAGE CODE 00779 DRAWING NO. 1218776 RESTRICTED TO -	
CUSTOMER DRAWING				SCALE 8:1		SHEET 1 OF 1 REV 0	

1218776