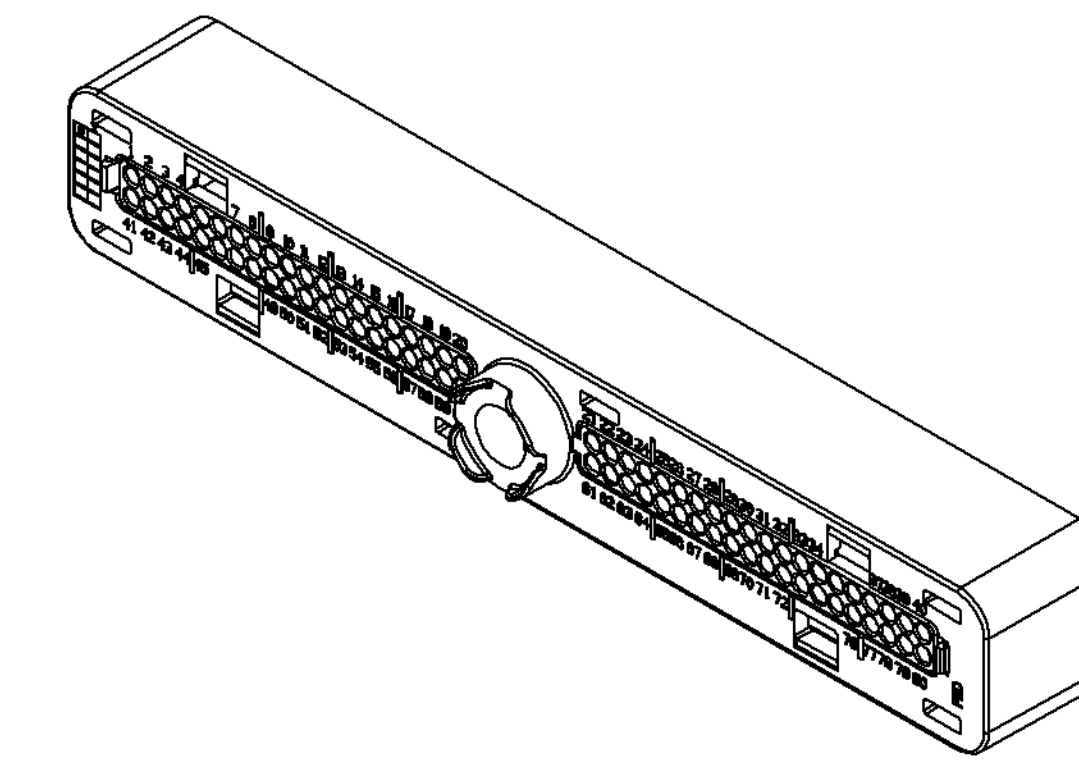
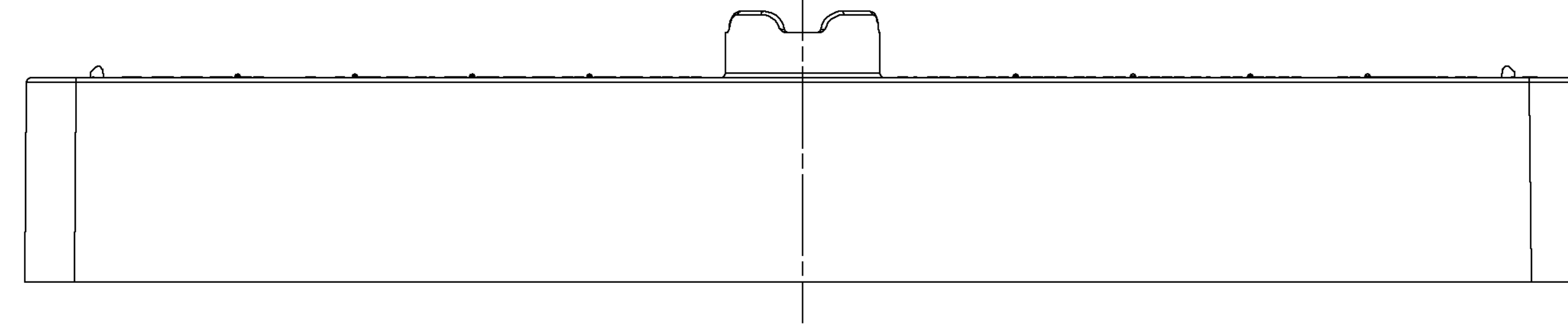
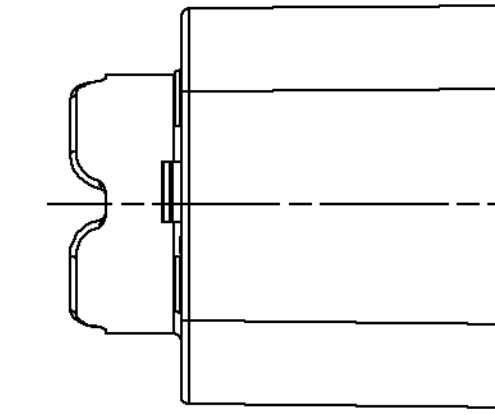
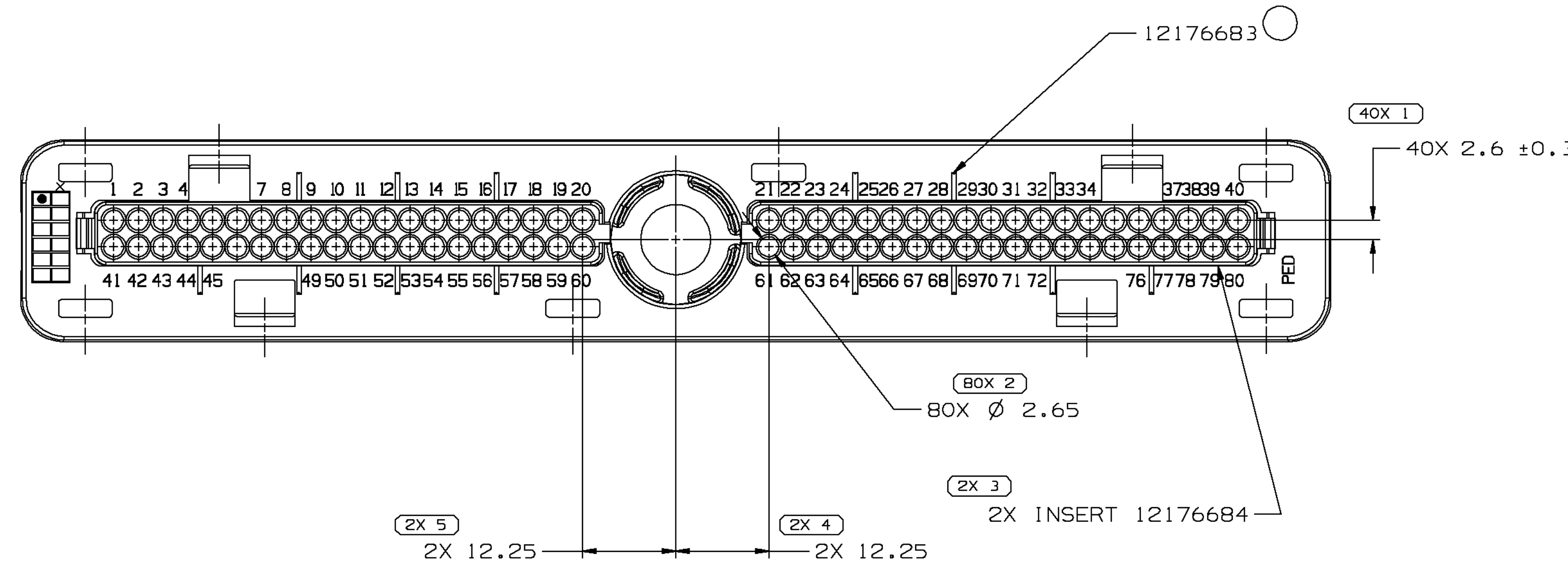
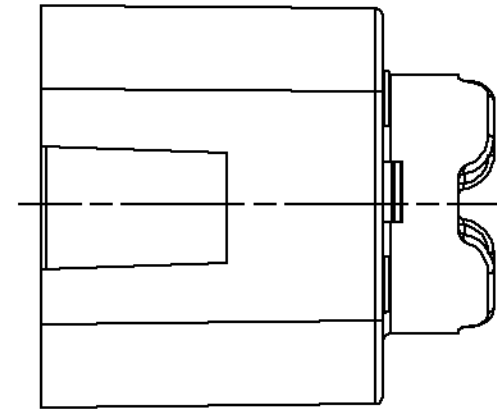
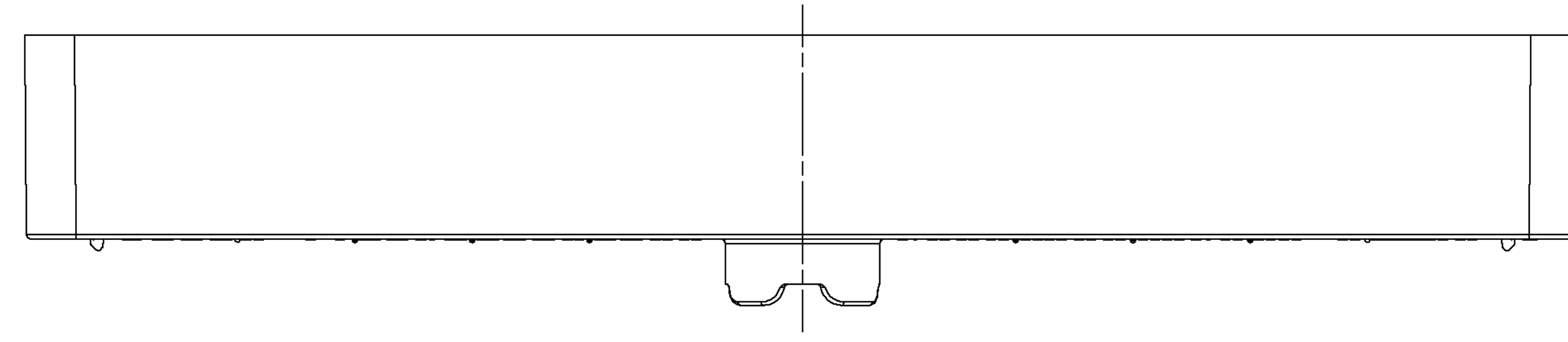


SYMBOL DEFINITION		MISSING SYMBOLS	
A DIMENSION WITHOUT AN INSPECTION REPORT SYMBOL DOES NOT REQUIRE INSPECTION. IT MAY BE CONTROLLED ON THE INDIVIDUAL COMPONENT DRAWING.	TOTAL NO OF INSPECTIONS REQUIRED	NO MISSING SYMBOL NUMBER	
	128		
	LAST NO. USED		
	7		

DWG STATUS					REVISION HISTORY		AUTH	DR	APVD	APVD
DATE	STG	REV	W/P	CHG	ZONE					
14AU01	R	C3	-	-		CLEARED REV COLUMN & ADDED DATE CODE CONSTRUCTION	212778	JGR	EOV	60
07FE03	R	C4	-	-		ADDED P/N INFO TO CASTING	236002	AFM	EOV	60



CONSTRUCTION OF DATE CODE

X : YEAR
 ● : MONTH WHEN PART WAS MANUFACTURED
 *MONTH FOR REFERENCE ONLY
 DO NOT ENGRAVE ON PART

- NOTES**
- UNLESS OTHERWISE SPECIFIED AND/OR INDICATED: DIMENSIONS ARE TO FACE OF VIEW SHOWN AND AUTOMATICALLY ROUNDED BY COMPUTER FOR INSPECTION (SEE MATH MODEL FOR PRECISE DIMENSIONS). FOR ALL OTHER DIMENSIONS NOT SHOWN BUT REQUIRED FOR TOOL BUILD, SEE MATH MODEL FOR PRECISE TOOL PATH DATA.
 - MATING COMPONENTS OR EQUIVALENT: CONNECTOR 1219110 WIRE DRESS COVER 12191108
 - THIS PART ACCEPTS THE FOLLOWING COMPONENTS OR EQUIVALENT: TERMINAL 12084912 MAX INSULATION CRIMP MUST BE LESS THAN 2.45 HIGH AND 2.45 WIDE.

FROM	TO	DIMENSIONAL RANGE (MM)	CHART ET
0	20	> 0	1
20	30	> 20	2
30	70	> 30	3
70	100	> 70	4
100	150	> 100	5
150	200	> 150	6
200	250	> 200	7
250	300	> 250	8
300	400	> 300	9

UNLESS OTHERWISE SPECIFIED: REFERENCE DIMENSIONS ENCLOSED IN () INDICATE RETIRED, DIMENSIONS AND TOLERANCE LIMITS ARE ESTABLISHED.

DO NOT SCALE
 USE MATH DATA

DWO TYPE		PART DRAWING	
STYLE		DISTR CODE	D
VOLUME (CWP)			
ROUTING	6901		

UNLESS OTHERWISE SPECIFIED: THIS DOCUMENT IS IN ACCORDANCE WITH ASME Y14.5M-1994 AS AMENDED BY THE 2003 DIMENSIONING AND TOLERANCING ADDENDUM - 1997. ALL GEOMETRIC TOLERANCES AND RELATED DATUMS APPLY TO ALL DIMENSIONS UNLESS OTHERWISE SPECIFIED. DIMENSIONS ARE IN MILLIMETERS.

DELPHI
 DELPHI PACKARD ELECTRIC SYSTEMS
 WARREN, OH

DR	DATE
D. BRANTINGHAM	02AU95
D. BRANTINGHAM	02AU95
J. CUNNINGHAM	11AU95

MATERIAL: SEE DRAWING

DRAWING NAME: ASM STRAIN RLF

DRAWING NUMBER: 12191275

SIZE: A0 SCALE: 2:1 FRAME NO: 1 OF 1 SHEET NO: 1 OF 1 REV: C4