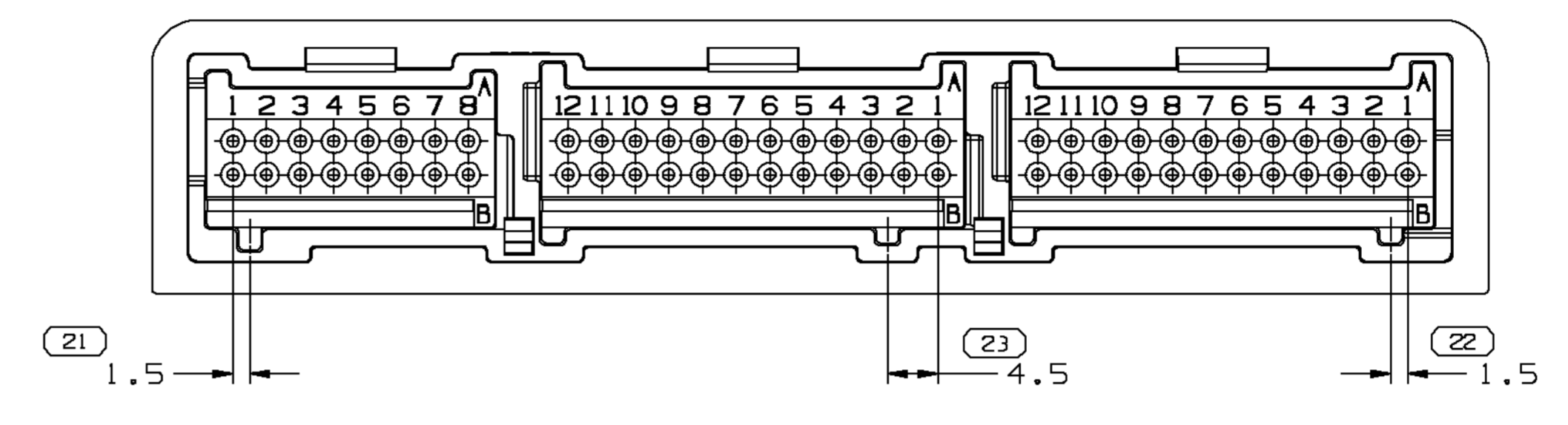
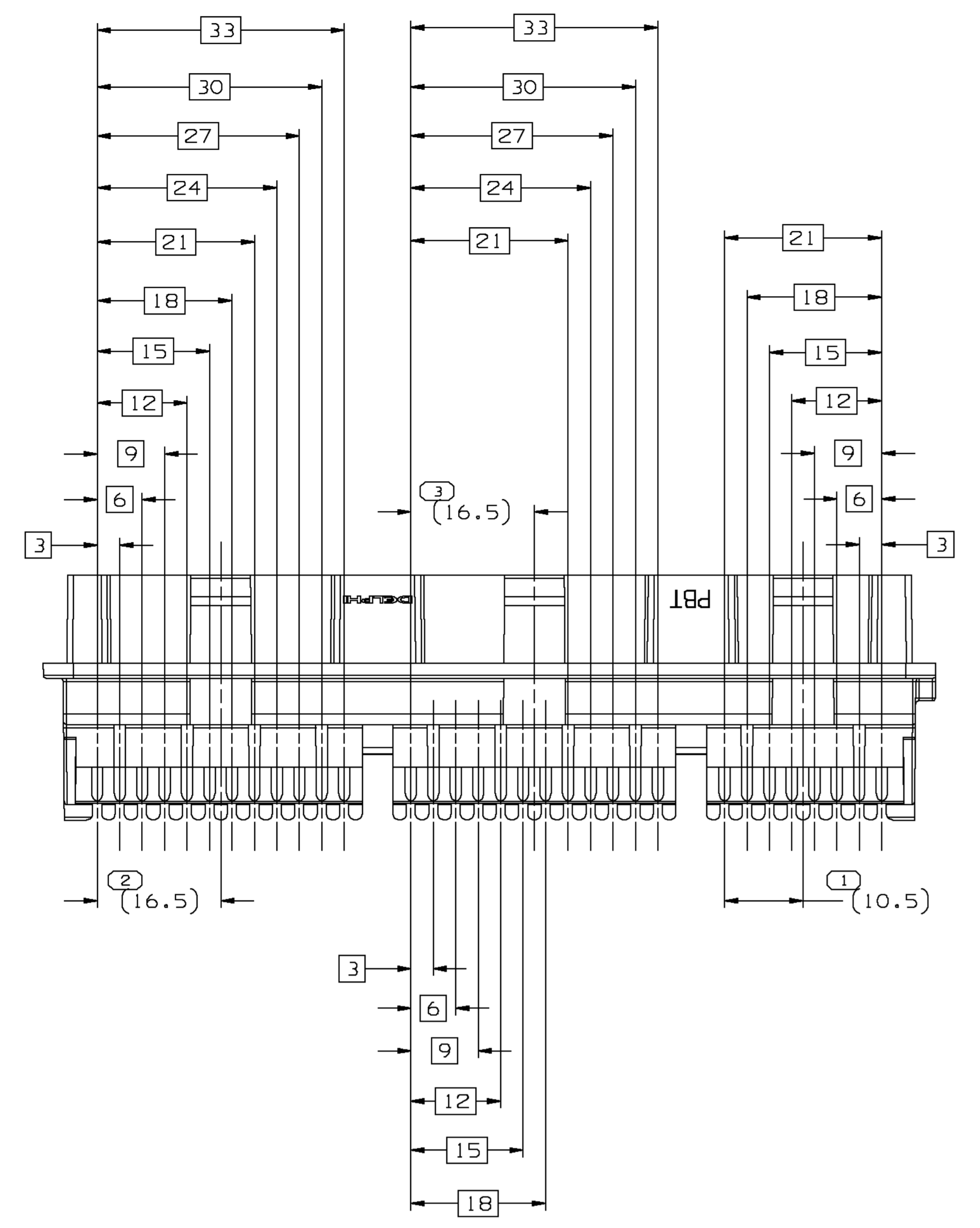
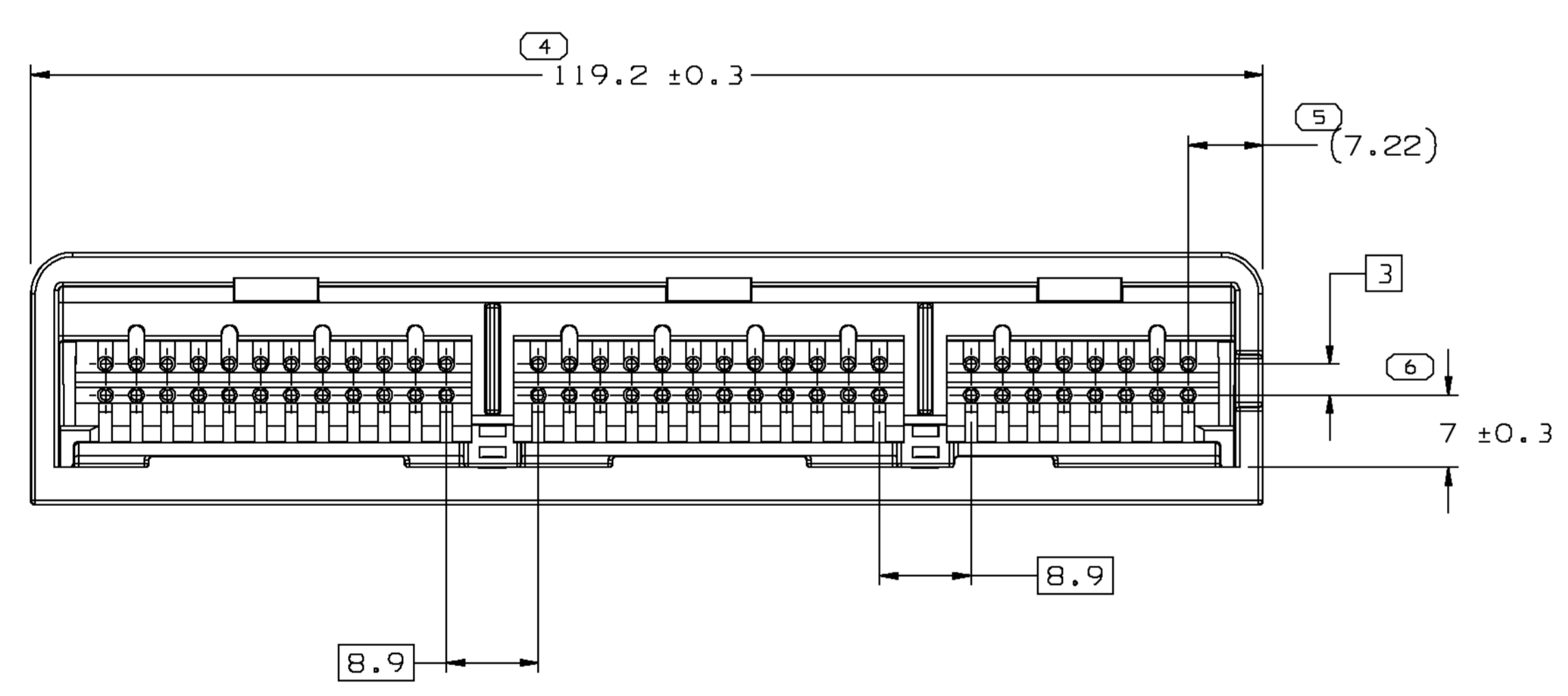


SYMBOL DEFINITION		MISSING NUMBERS	
A DIMENSION WITHOUT AN INSPECTION REPORT SYMBOL \square DOES NOT REQUIRE INSPECTION. IT MAY BE CONTROLLED ON AN INDIVIDUAL COMPONENT DRAWING.	TOTAL NO. OF SYMBOLS ON DRAWING	25	10,27-28,
	LAST NO. USED	30	

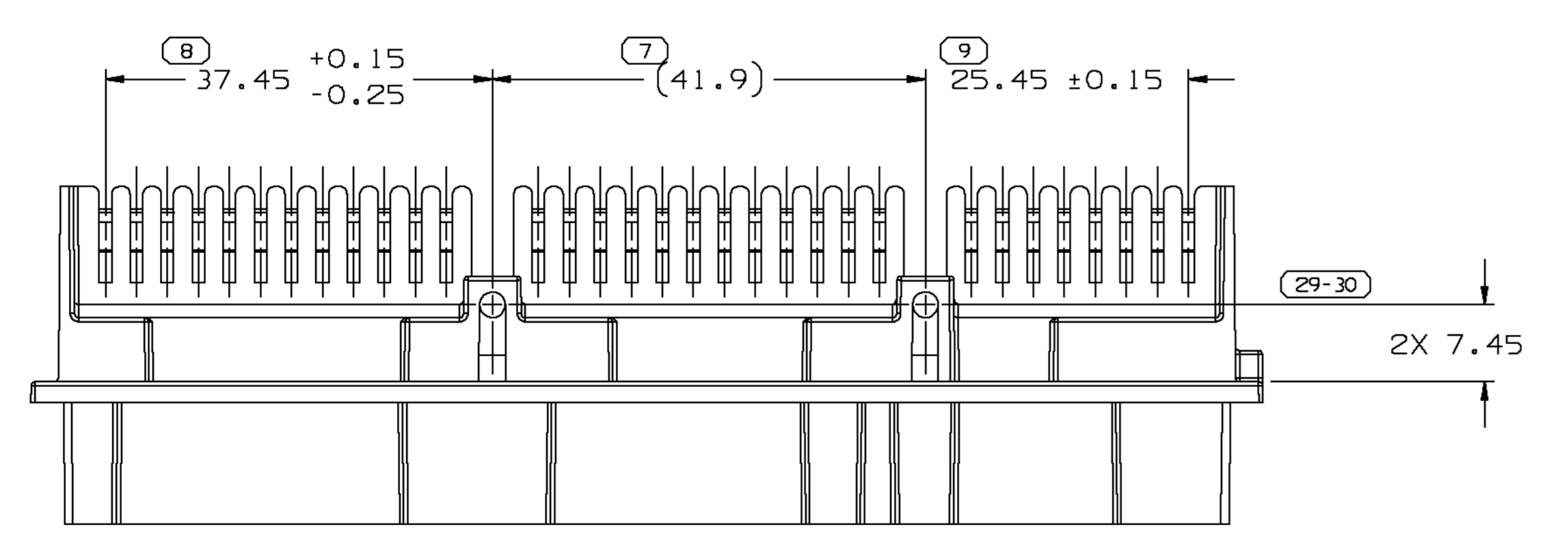
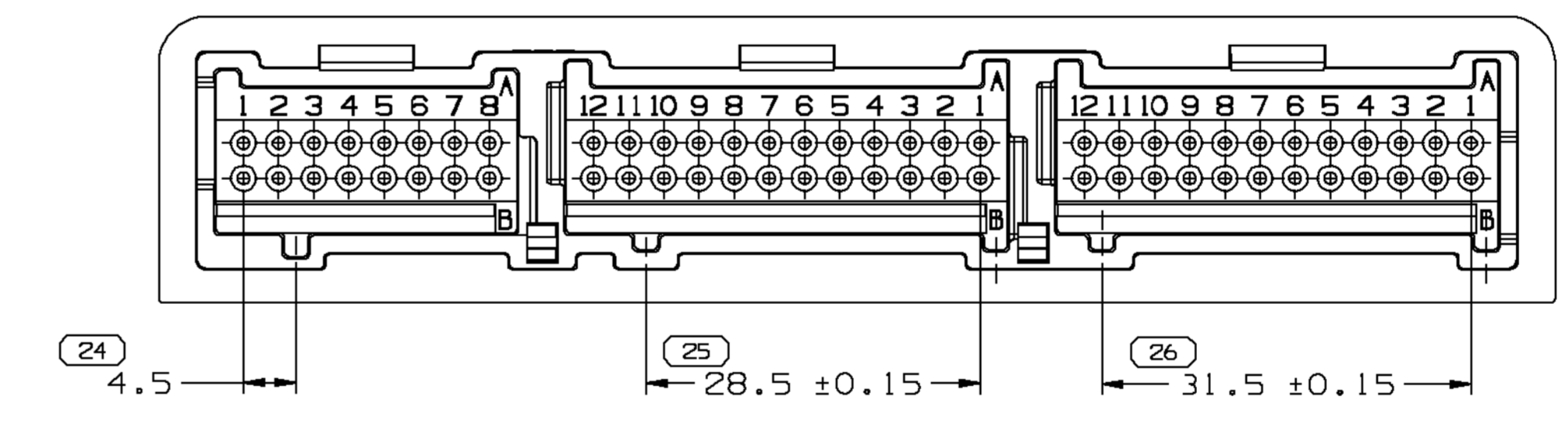
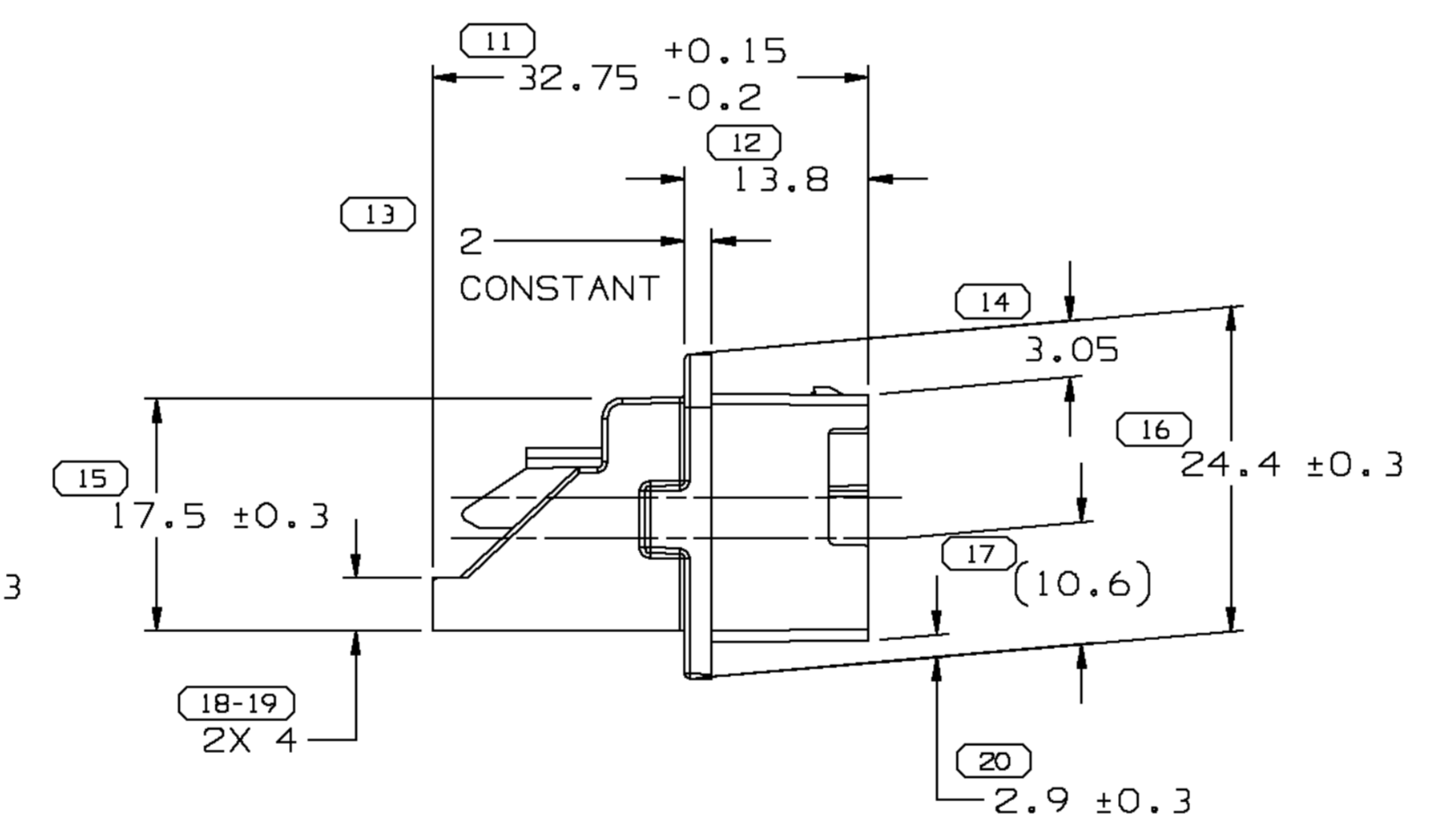
DWG STATUS				REVISION HISTORY				AUTH				
DATE	STG	REV	N/P	CHG	ZONE				DR	APVD	APVD	
02MY02	R	01	-	-					218654	JGR	EOV	60
06N002	R	02	-	-					233029	JGR	EOV	60



TYPE 102
SAME AS TYPE 101
EXCEPT AS SHOWN

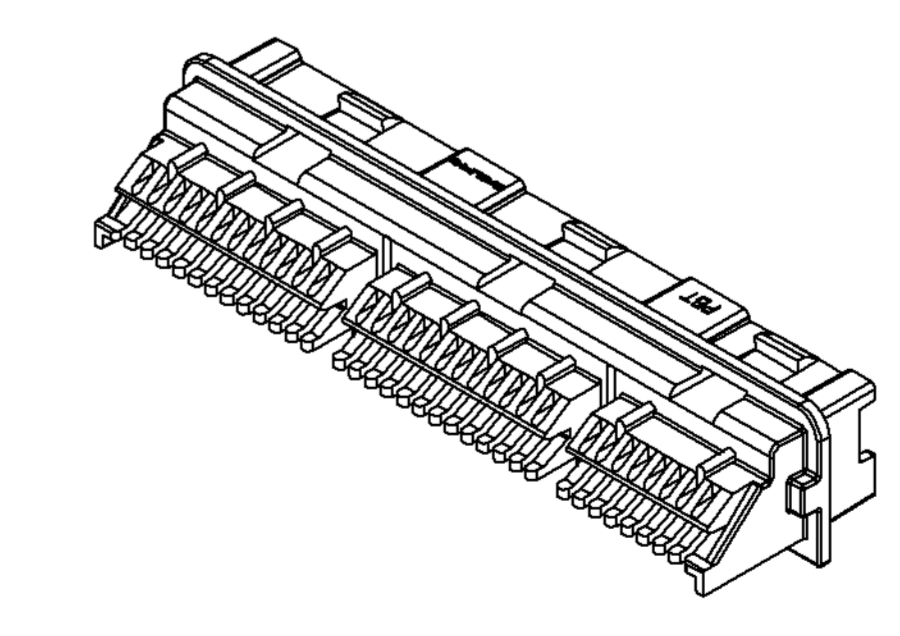


TYPE 101



NOTES

- UNLESS OTHERWISE SPECIFIED AND/OR INDICATED: DIMENSIONS ARE TO FACE OF VIEW SHOWN AND AUTOMATICALLY ROUNDED BY COMPUTER FOR INSPECTION. (SEE MATH MODEL FOR PRECISE DIMENSION) FOR ALL OTHER DIMENSIONS NOT SHOWN BUT REQUIRED FOR TOOL BUILD, SEE MATH MODEL FOR PRECISE TOOL PATH DATA.
- MATING COMPONENTS OR EQUIVALENT:
TERMINALS - ROW "A" - 12065445
TERMINALS - ROW "B" - 12065444
- THIS PART IS NOT CONTROLLED FOR AUTOMATIC FEEDING.
- MATERIAL RECYCLING CODE >PBT< PER SAE J1344. (2.3)X(0.1) RAISED CHARACTERS AS SHOWN TO BE LOCATED ON ANY EXTERIOR SURFACE. OPTIONAL CONSTRUCTION TO BE NO MATERIAL RECYCLING CODE.
- (2.3)X(0.1) RAISED DELPHI CORPORATE BRAND TO BE LOCATED ON ANY EXTERIOR SURFACE, PREFERABLY VISIBLE AT FINAL ASSEMBLY. OPTIONAL CONSTRUCTION TO BE "PED" OR NO LOGO.



PART NO	STG	REV	N/P	STATUS	TYPE	MATERIAL SPECIFICATION AND COLOR	ASSEMBLY P/N	LEFT 16-WAY MATING CONNECTOR	CENTER 24-WAY MATING CONNECTOR	RIGHT 24-WAY MATING CONNECTOR	VOL cm ³
15358829	R	001	AB		101	PM002396-001 PPA GF 33L NAT	15358830	12084945	12110088	12110244	22.064
15326204	R	004	AB		101	PM003587-001 SPS-GF 30 IM NAT	15326205	12084945	12110088	12110244	22.064
12191291	R	004	AD		102	RO100125 PBT-GF 30-BLU DK	12191293	12191375	12110206	12160778	22.055
12177072	R	004	AD		101	RO100172 PBT-GF 30 REPELLETIZED-BLK	12160861	12084945	12110088	12110244	22.064

FROM	TO	DIMENSIONAL RANGE (MM)	CHART	ET
> 0	> 20	> 30	> 70	> 100
> 20	> 30	> 70	> 100	> 150
> 30	> 70	> 100	> 150	> 200
> 70	> 100	> 150	> 200	> 250
> 100	> 150	> 200	> 250	> 300
> 150	> 200	> 250	> 300	> 400

DWO TYPE		PART DRAWING	
STYLE	SEE CHART	DISTR CODE	D
VOLUME (CP)	6900		
ROUTING	6900		

DELPHI
DELPHI PACKARD ELECTRIC SYSTEMS
WARREN, OH

OR	DATE
APVD1 MIKE ROMERO	28AU95
APVD2 A. UGALDE G.	28AU95
APVD3 J.R. CUNNINGHAM	20FE96
APVD4	
APVD5	

MATERIAL: SUBSTANCES OF CONCERN AND RECYCLED CONTENT PER DELPHI 10949001
SEE CHART

DRAWING NAME: TAXI HD CONN 64M MIC/P 100
DRAWING NUMBER: 12191290

SIZE: A0
SCALE: 2:1
FRAME NO: 1 OF 1
SHEET NO: 1 OF 1
DATE: 12/1/95
REV: 1
N/P: -