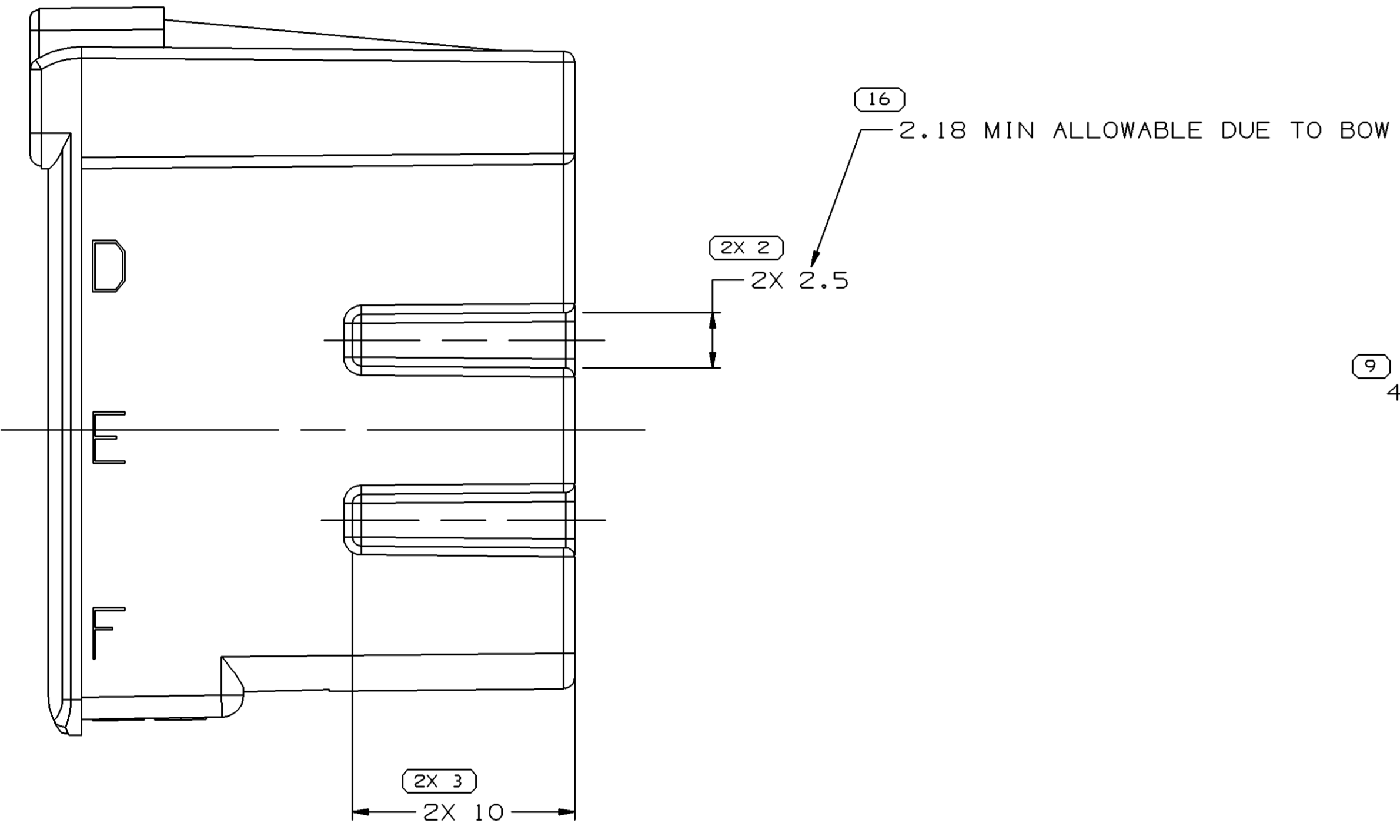
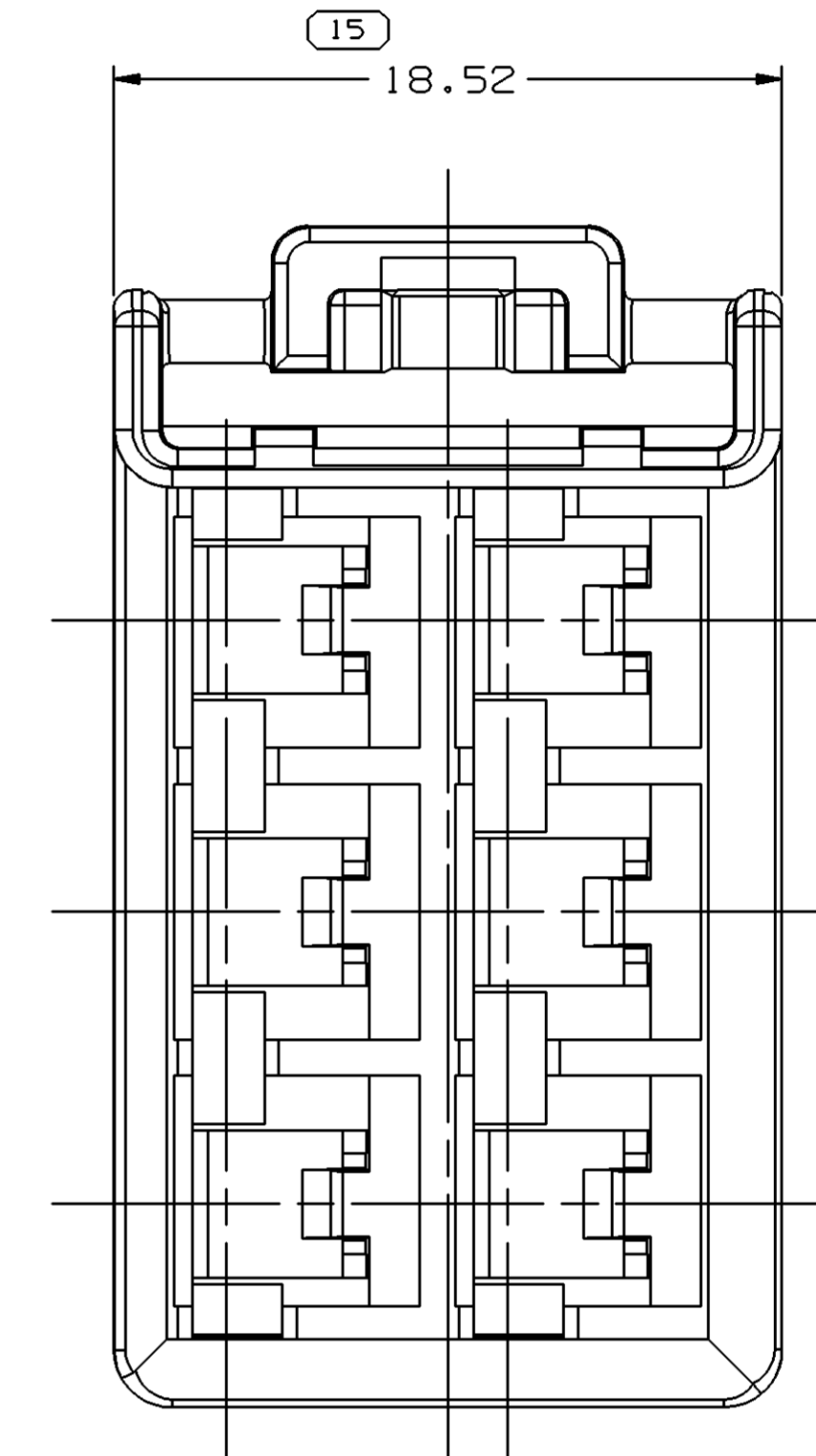
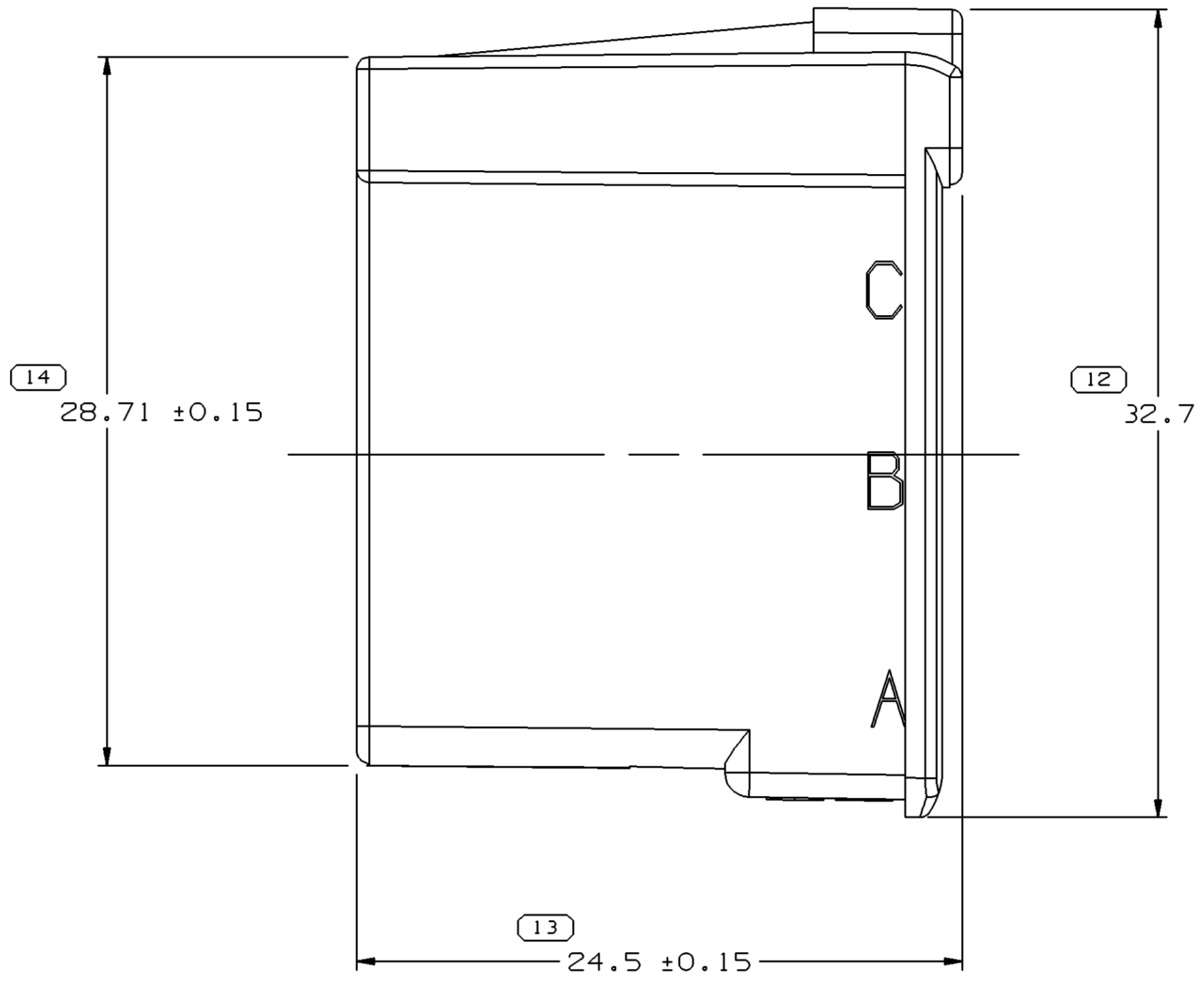
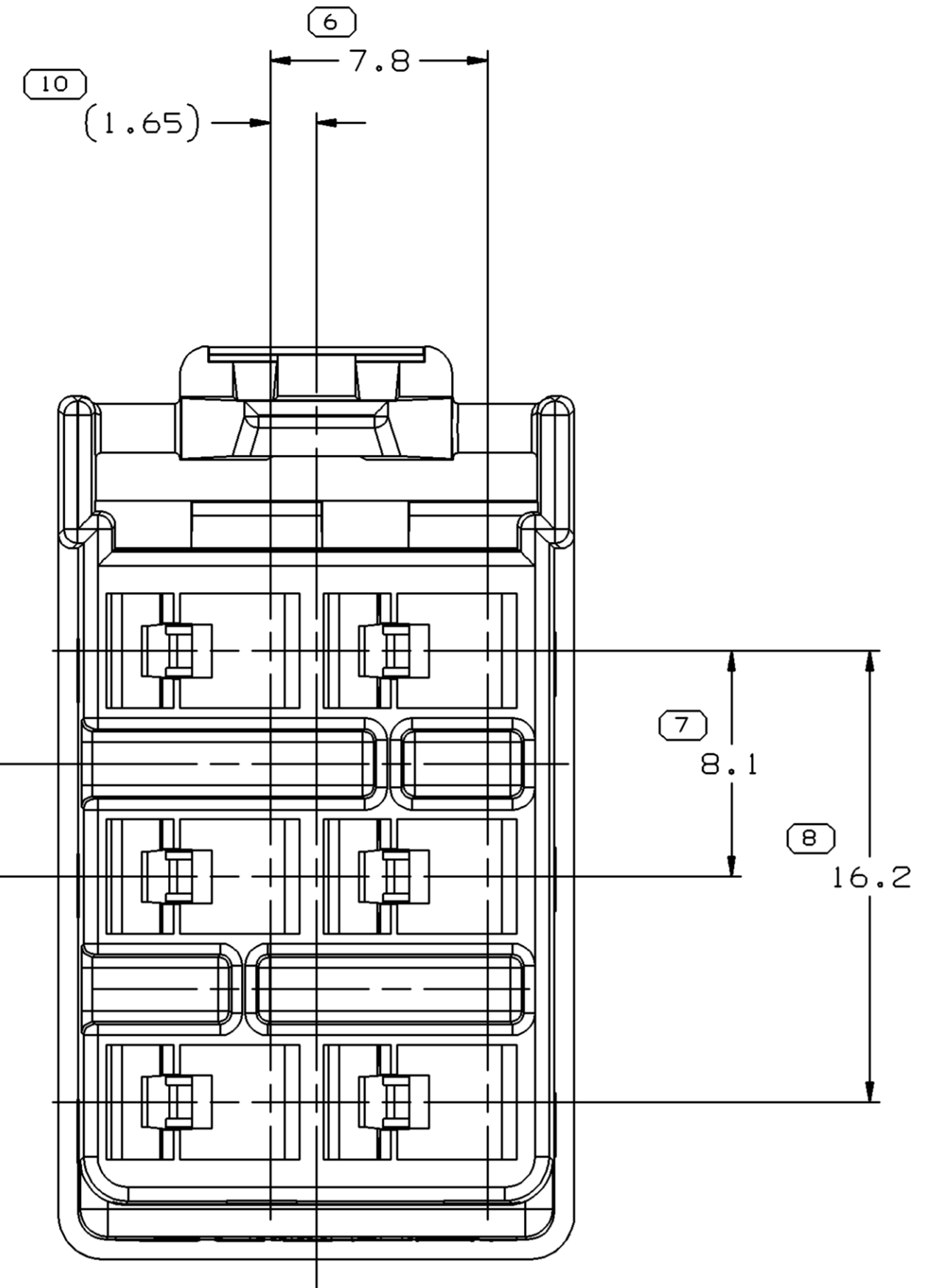
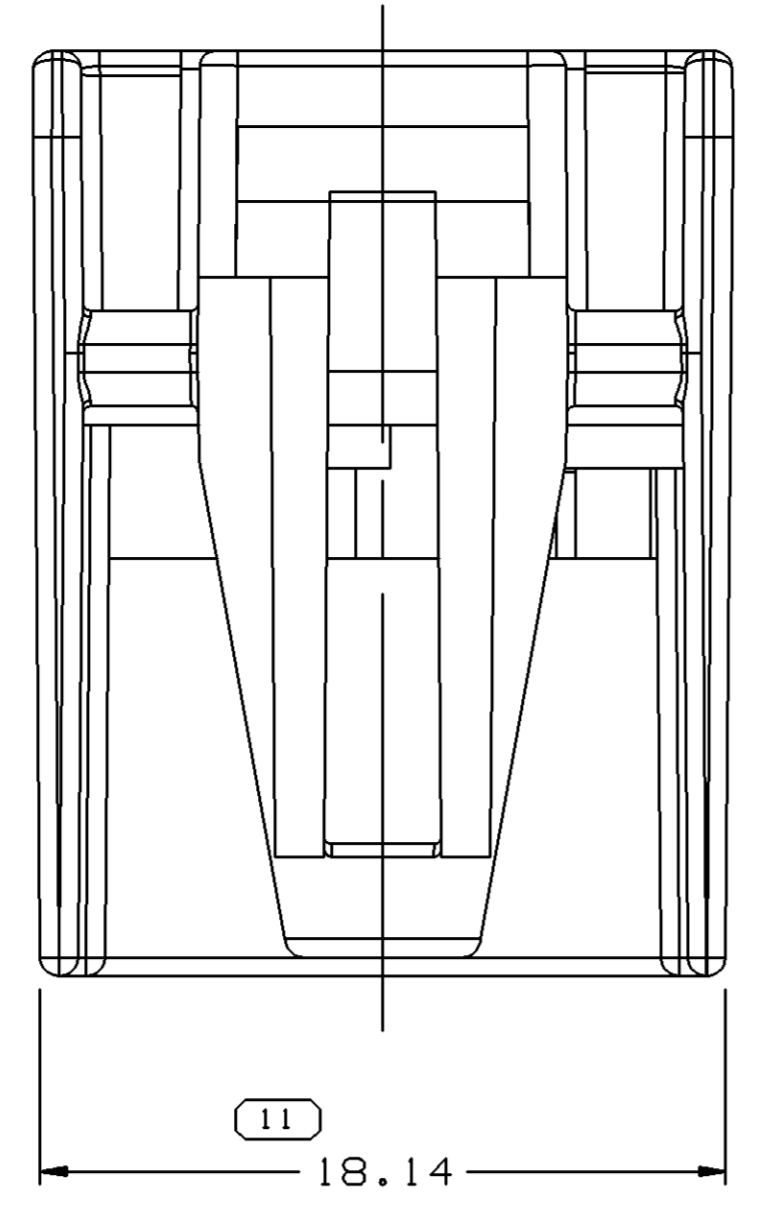
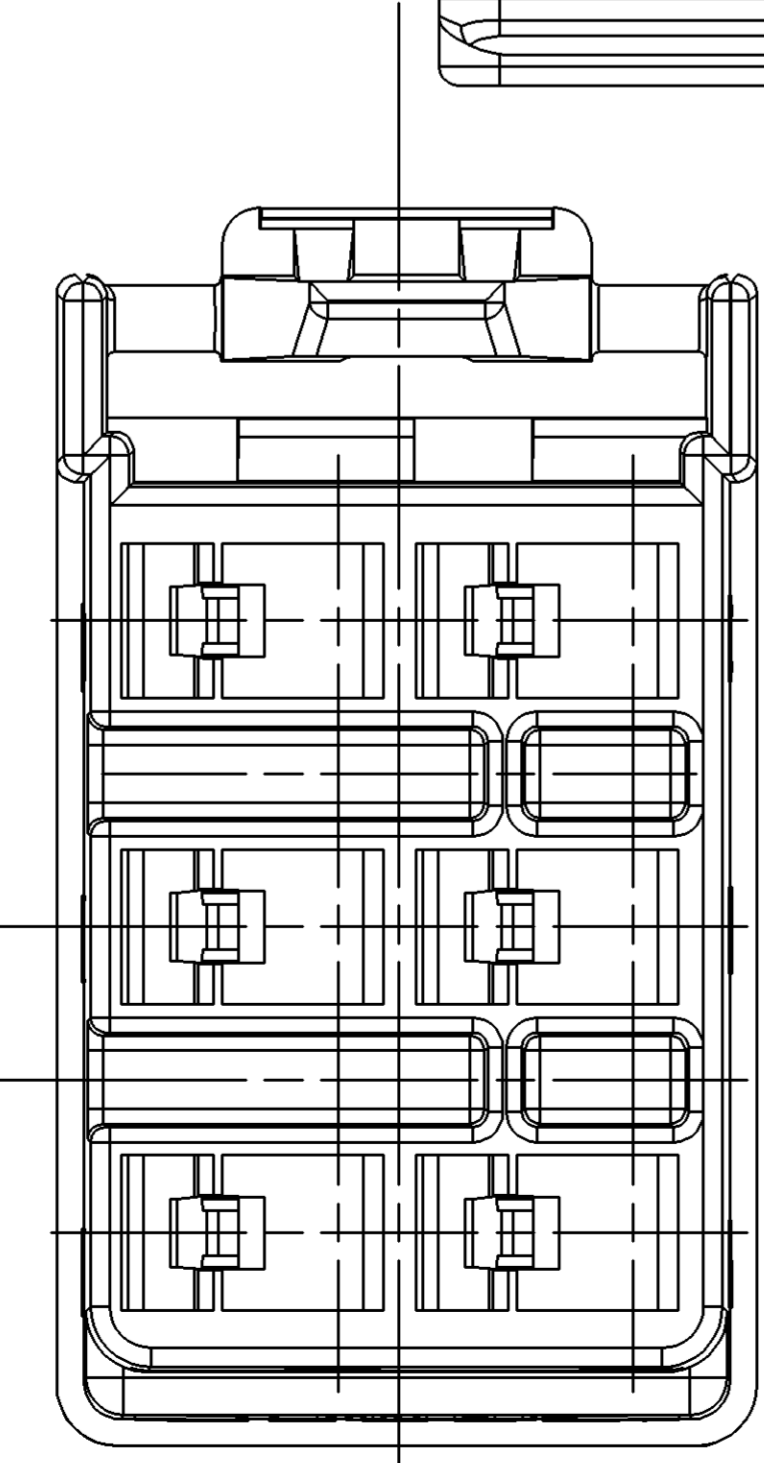
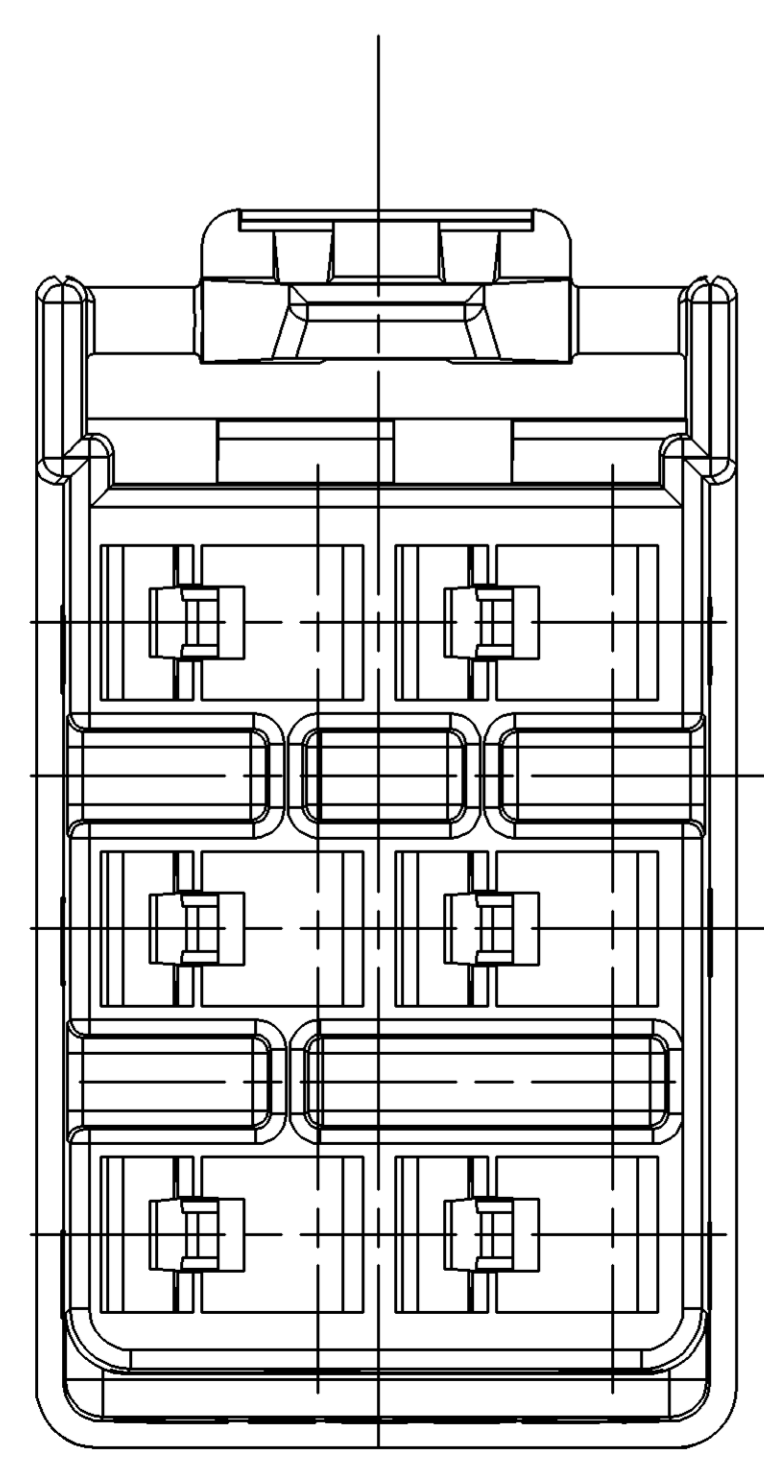
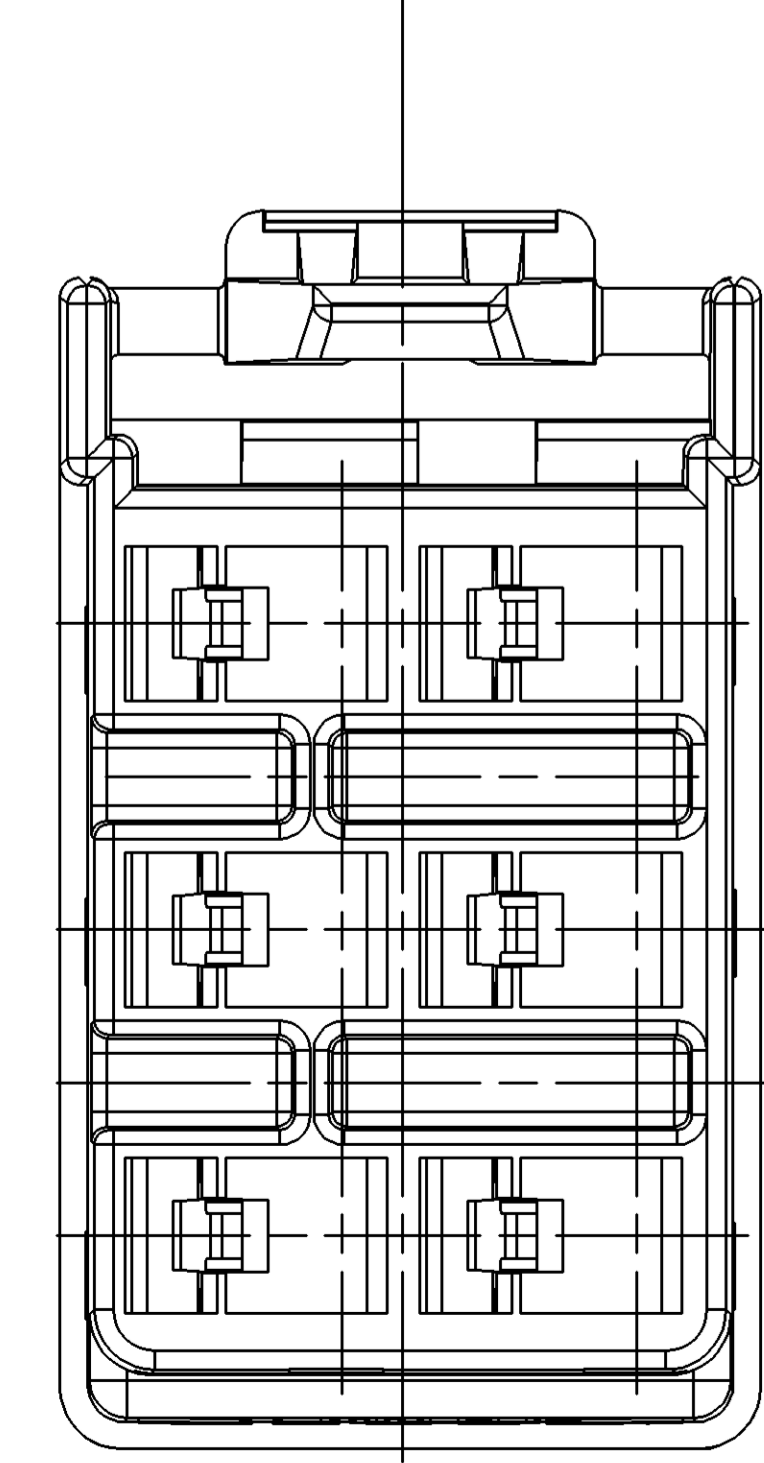
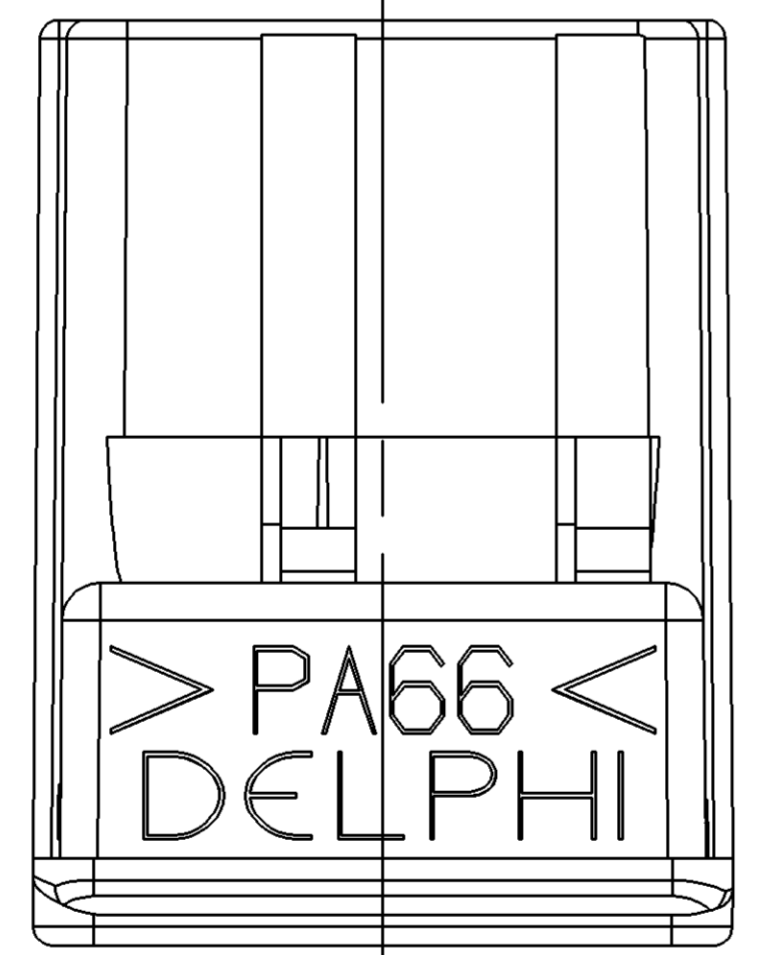


SYMBOL DEFINITION		MISSING SYMBOLS	
A DIMENSION WITHOUT AN INSPECTION REPORT SYMBOL DOES NOT REQUIRE INSPECTION. IT MAY BE CONTROLLED ON THE INDIVIDUAL COMPONENT DRAWING.	TOTAL NO OF INSPECTIONS REQUIRED	18	NO MISSING SYMBOL NUMBER
	LAST NO. USED	16	

DWG STATUS					REVISION HISTORY			AUTH	DR	APVD
DATE	STG	REV	N/P	CHG	ZONE					
19JUL02	R	01	-	-		REDRAWN TO PD; ALL PARTS - ADDED NOTES (2 PLCS), ADDED VIEW AND REVISED MAT'L SPEC	228193	EGR	EGR	RC
19JUL02	R	02	-	-		ALL PARTS - ADDED DIM, REMOVED DIM AND REVISED DIMS (5 PLCS)	228363	EGR	EGR	RC
16SEP02	-	03	-	-		15441953 - ADDED TO TAX1	227457	AKJ	AKJ	LEF
21JUN05	R	04	-	-		15441953 - MAT'L SPEC WAS M3592011	269519	JS	JS	TM



TYPE 101



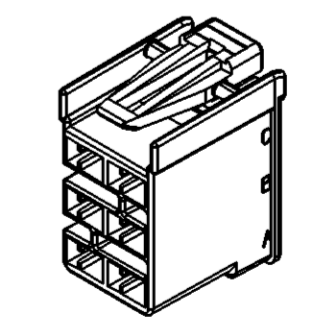
TYPE 102
SAME AS TYPE 101
EXCEPT AS SHOWN

TYPE 103
SAME AS TYPE 101
EXCEPT AS SHOWN

TYPE 104
SAME AS TYPE 101
EXCEPT AS SHOWN

NOTES

- UNLESS OTHERWISE SPECIFIED AND/OR INDICATED: DIMENSIONS ARE TO FACE OF VIEW SHOWN AND AUTOMATICALLY ROUNDED BY COMPUTER FOR INSPECTION (SEE MATH MODEL FOR PRECISE DIMENSIONS). FOR ALL OTHER DIMENSIONS NOT SHOWN BUT REQUIRED FOR TOOL BUILD, SEE MATH MODEL FOR PRECISE TOOL PATH DATA.
- MATERIAL RECYCLING CODE >PA66< PER SAE J1344. (2.3)X(0.05) RAISED CHARACTERS AS SHOWN TO BE LOCATED ON ANY EXTERIOR SURFACE. OPTIONAL CONSTRUCTION TO BE NO MATERIAL RECYCLING CODE.
- THIS PART IS NOT CONTROLLED FOR AUTOMATIC FEEDING.
- (2.3)X(0.05) RAISED DELPHI CORPORATE BRAND TO BE LOCATED ON ANY EXTERIOR SURFACE, PREFERABLY VISIBLE AT FINAL ASSEMBLY. OPTIONAL CONSTRUCTION TO BE "PED" OR NO LOGO.



PART NO	REV N/P	STATUS	TYPE	MATERIAL SPECIFICATION AND COLOR
15441953	02	-	102	M3592012 PA66 HS IM GRA LT
12193925	C4	-	101	M3592025 PA66 HS IM GRA MD
12193924	C4	-	102	M3592010 PA66 HS IM BRN
12193923	C4	-	103	M3592001 PA66 HS IM BLK
12193922	C4	-	104	M3592024 PA66 HS IM CRM

DIMENSIONAL RANGE (MM)	CHART ET
FROM > 0	> 20
TO > 20	> 30
> 30	> 70
> 70	> 100
> 100	> 150
> 150	> 200
> 200	> 250
> 250	> 300
> 300	> 400

DATE	APVD	DR
30NOV94	JEFF REEVES	JEFF REEVES
30NOV94	JEFF REEVES	JEFF REEVES
25JAN95	BRIAN HAMILL	BRIAN HAMILL

DELPHI
DELPHI PACKARD ELECTRIC SYSTEMS
WARREN, OH

DATE: 30NOV94
DR: JEFF REEVES
APVD: JEFF REEVES
APVD3: BRIAN HAMILL
APVD4:
APVD5:

UNLESS OTHERWISE SPECIFIED
THIS DOCUMENT IS IN ACCORDANCE WITH ASME Y14.5M-1994
AS AMENDED BY THE DIMENSIONING AND TOLERANCING ADDENDUM-2003. SEPARATE PATTERNS OF FEATURES MAY BE OBTAINED SEPARATELY. REWORK OF DATUM REFERENCES.

ALL DIMENSIONS ARE IN MILLIMETERS

UNLESS OTHERWISE SPECIFIED
DIMENSIONS ENCLOSED IN () INDICATE REFERENCE DIMENSIONS AND NO TOLERANCE LIMITS ARE ESTABLISHED

THIRD ANGLE PROJECTION

DO NOT SCALE

USE MATH DATA

DRAWING NAME: TAX1 CONN 6 F M/P 280 FLXLK

DRAWING NUMBER: 12193921

SIZE: A0
SCALE: 5:1
FRAME NO: 1 OF 1
SHEET NO: 1 OF 1
REV: R
N/P: 04