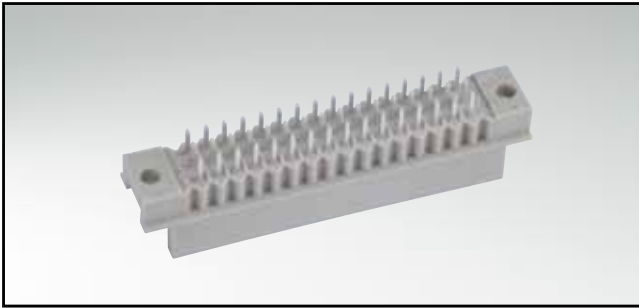


# TYPE R/2

Male connector – straight – 32 and 48 positions

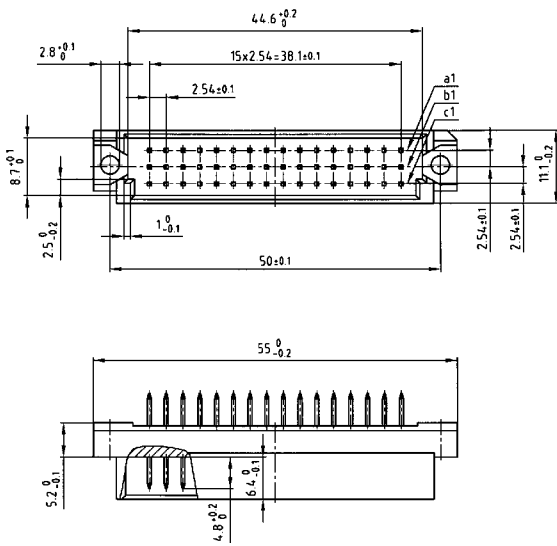


RoHS compliant

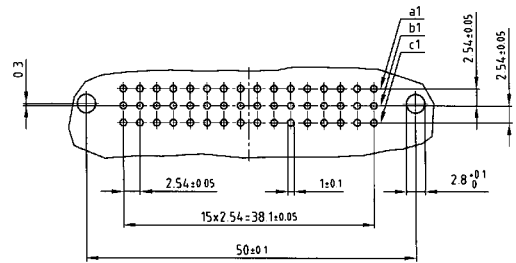
**DESCRIPTION**

- Solder pin and wire wrap
- Quality class 3 (also available in quality class 2 or 1)

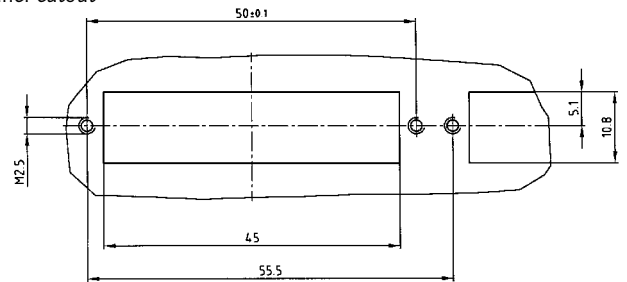
**PRODUCT DRAWING**



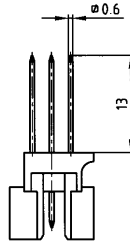
PCB-hole pattern



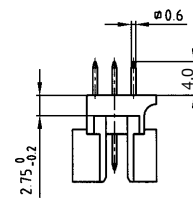
Panel cutout



Wire Wrap



Solder pin straight



**ORDER DATA**

(Dim. = mm)

No. of Pos.	Row	• = contact, + = no contact						Wire Wrap	Solder pin straight
		Pos.	1	2	3	4	5		
32	a		•	•	•	•	•	121 A 10589 X	121 A 10619 X
	b	+	+	+	+	+	+		
	c	•	•	•	•	•	•		
48	a		•	•	•	•	•	121 A 10599 X	121 A 10629 X
	b	•	•	•	•	•	•		
	c	•	•	•	•	•	•		