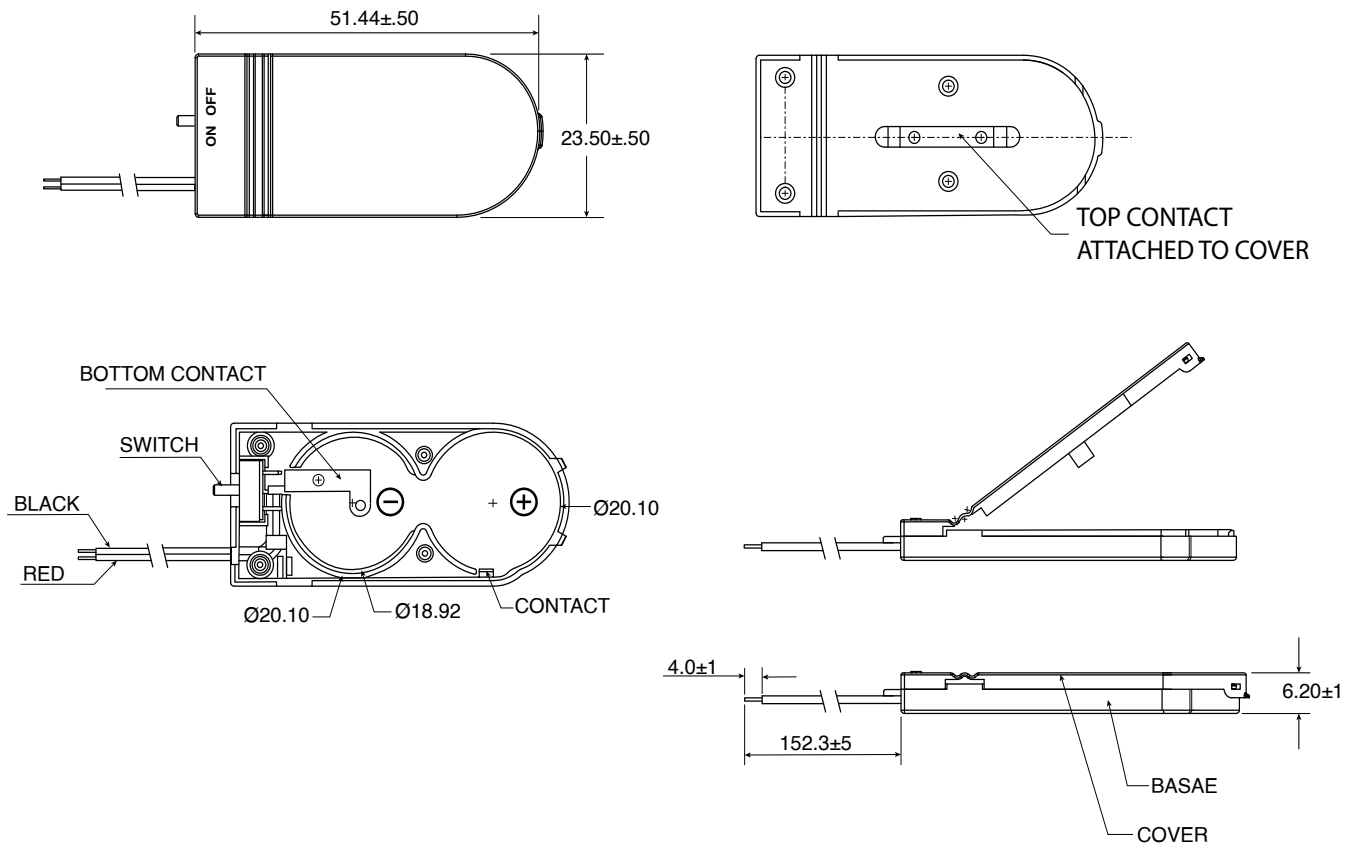


DIMENSIONS: mm



SPECIFICATIONS

Item NO. :	122-0120NI-GR
Wire :	UL1007 AWG 26
Black & Red :	152.3mm \pm 5mm
Strip & Tin :	4mm \pm 1mm
Holder :	PP RESIN, BLACK COLOR
Contact :	0.15mm PHOSPHOR BRONZE NICKEL PLATED
Battery Size / Type :	CR2032
Number of Batteries :	2 Batteries
RoHs Compliant	