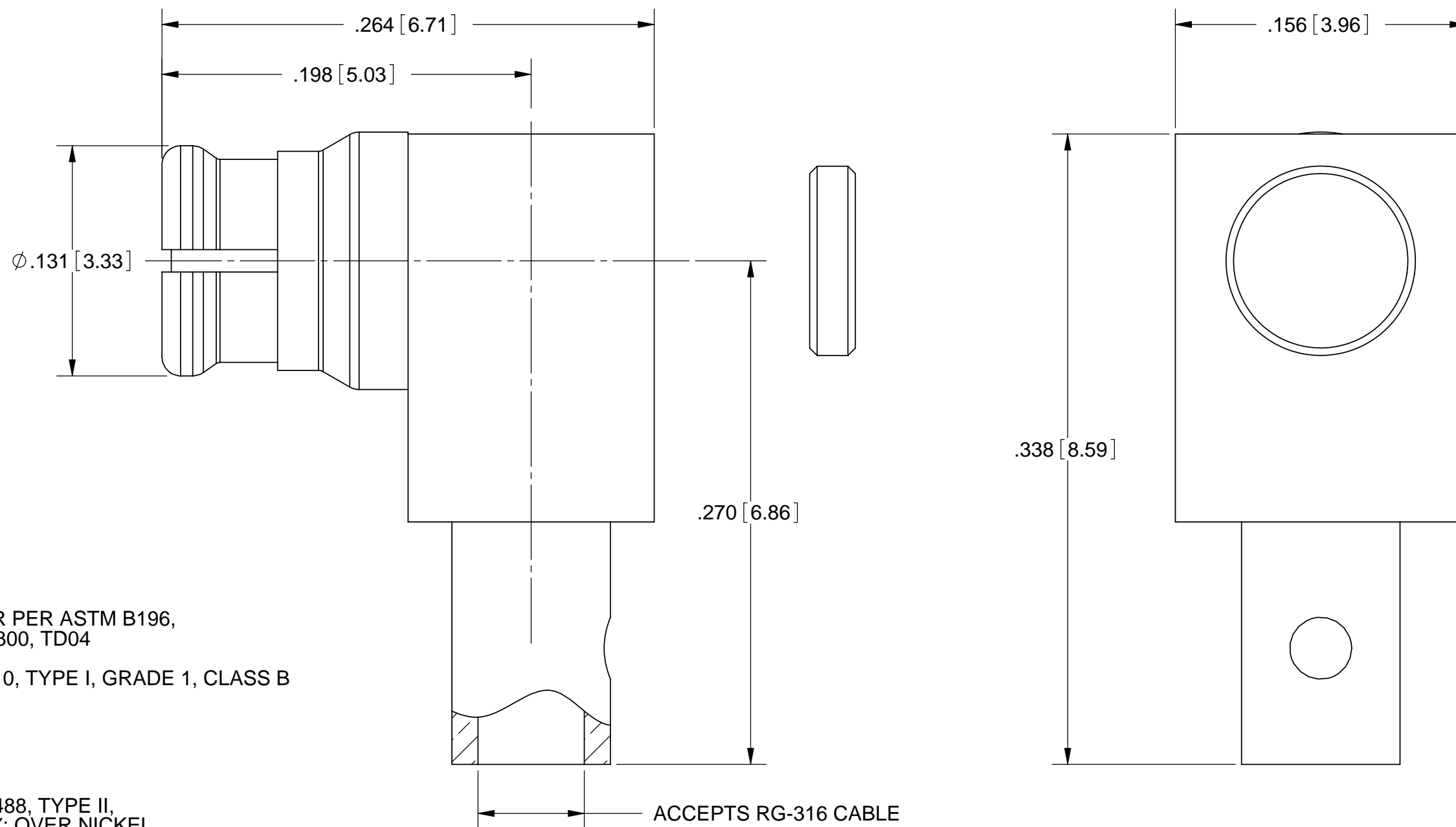


# PRODUCT DATA DRAWING

REVISION HISTORY			
REV	DESCRIPTION	DATE	APPROVED
-	DCN 35547	12/07	STW



**MATERIAL:**

BODIES, CONTACT  
EMI RING, CAP &  
ANTI-ROCK RING:

BERYLLIUM COPPER PER ASTM B196,  
ALLOY No. UNS C17300, TD04

INSULATOR:

PTFE PER ASTM D1710, TYPE I, GRADE 1, CLASS B

**FINISH:**

BODIES, CONTACT  
EMI RING CAP &  
ALIGNMENT RING:

GOLD PER ASTM B 488, TYPE II,  
CODE C, CLASS 1.27; OVER NICKEL  
PER AMS-QQ-N-290, CLASS 1, .00005" MIN.

**PERFORMANCE:**

IMPEDANCE:

50 OHMS

FREQ. RANGE:

DC TO 3.0 GHz

VSWR:

1.15:1 DC TO 3.0 GHz

INSERTION LOSS:

.12 X SQRT(F IN GHz)

DWV:

500 VRMS

OPERATING TEMP.:

-55°C TO +125°C

INSUL. RES.:

5000 MEGOHMS.

MATERIAL: SEE NOTES	DIMENSIONS ARE IN INCHES TOLERANCES: FRACTIONAL: ±1/64 ANGULAR: X° ±1'0" X"X' ±15'	UNLESS OTHERWISE SPECIFIED 1) ALL DIMENSIONS ARE IN INCHES (MILLIMETERS) 2) ALL DIMENSIONS ARE AFTER PLATING. 3) BREAK CORNERS & EDGES .005 R. MAX. 4) CHAM. 1ST & LAST THREADS. 5) SURFACE ROUGHNESS 63-MIL-STD-10. 6) DIA.'S ON COMMON CENTERS TO BE CONCENTRIC WITHIN .005 T.I.R. 7) REMOVE ALL BURRS	<b>SV Microwave, Inc.</b> 2400 Centrepark West Drive, Suite 100 West Palm Beach, FL 33409
FINISH: SEE NOTES	DECIMAL: .X ±.030 .XX ±.010 .XXX ±.005	INTERPRET DIMENSIONS AND TOLERANCES PER ASME Y14.5M - 1994	TITLE: <b>R/A SMP JACK FOR RG-316 CABLE</b>
SURFACE AREA: N/A	THIRD ANGLE PROJECTION	DRAWN: HLP 12/03/07	SIZE: <b>B</b> CAGE CODE: <b>95077</b> DWG. NO.: <b>1221-4006</b>
PROPRIETARY THE INFORMATION CONTAINED IN THIS DRAWING IS THE SOLE PROPERTY OF SV MICROWAVE, INC. ANY REPRODUCTION IN PART OR AS A WHOLE WITHOUT THE WRITTEN PERMISSION OF SV MICROWAVE, INC IS PROHIBITED.		CHECKED: STW 12/03/07	SCALE: 15:1
		APPROVED: STW 12/03/07	SHEET 1 OF 1