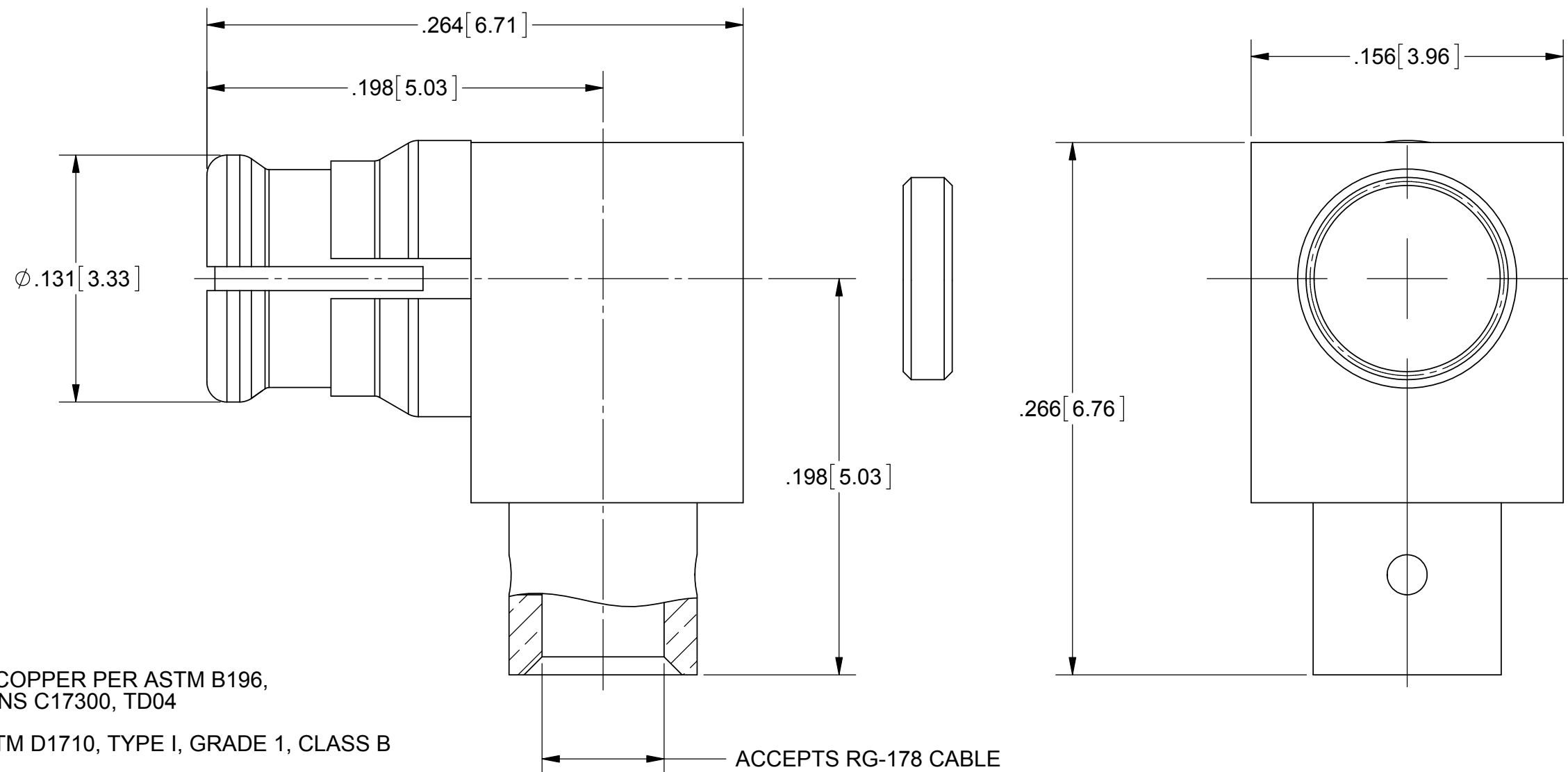


PRODUCT DATA DRAWING

REVISION HISTORY			
REV	DESCRIPTION	DATE	APPROVED
-	DCN 35547	11/07	STW



MATERIAL:

BODIES, CONTACT
EMI RING, CAP &
ANTI-ROCK RING:

BERYLLIUM COPPER PER ASTM B196,
ALLOY No. UNS C17300, TD04

INSULATOR:

PTFE PER ASTM D1710, TYPE I, GRADE 1, CLASS B

FINISH:

BODIES, CONTACT
EMI RING CAP &
ALIGNMENT RING:

GOLD PER ASTM B 488, TYPE II,
CODE C, CLASS 1.27; OVER NICKEL
PER AMS-QQ-N-290, CLASS 1, .00005" MIN.

PERFORMANCE:

IMPEDANCE: 50 OHMS
FREQ. RANGE: DC TO 3.0 GHz
VSWR: 1.30:1 DC TO 3.0 GHz
INSERTION LOSS: .12 X SQRT(F(F IN GHz))
DWV: 500 VRMS
OPERATING TEMP.: -55 °C TO +125 °C
INSUL. RES.: 5000 MEGOHMS.

MATERIAL: SEE NOTES	DIMENSIONS ARE IN INCHES TOLERANCES: FRACTIONAL: ±1/64 ANGULAR: X° ±1'0" X'X' ±15'	UNLESS OTHERWISE SPECIFIED 1) ALL DIMENSIONS ARE IN INCHES (MILLIMETERS) 2) ALL DIMENSIONS ARE AFTER PLATING. 3) BREAK CORNERS & EDGES .005 R. MAX. 4) CHAM. 1ST & LAST THREADS. 5) SURFACE ROUGHNESS 63-MIL-STD-10. 6) DIA.'S ON COMMON CENTERS TO BE CONCENTRIC WITHIN .005 T.I.R. 7) REMOVE ALL BURRS	SV Microwave, Inc. 2400 Centrepark West Drive, Suite 100 West Palm Beach, FL 33409
FINISH: SEE NOTES	DECIMAL: .X ±.030 .XX ±.010 .XXX ±.005	INTERPRET DIMENSIONS AND TOLERANCES PER ASME Y14.5M - 1994	TITLE: R/A SMP JACK FOR RG-178 CABLE
SURFACE AREA: N/A	THIRD ANGLE PROJECTION	DRAWN: HLP 11/29/07 CHECKED: STW 11/29/07 APPROVED: STW 11/29/07	SIZE: B CAGE CODE: 95077 DWG. NO. 1222-4006
<p>PROPRIETARY</p> <p>THE INFORMATION CONTAINED IN THIS DRAWING IS THE SOLE PROPERTY OF SV MICROWAVE, INC. ANY REPRODUCTION IN PART OR AS A WHOLE WITHOUT THE WRITTEN PERMISSION OF SV MICROWAVE, INC IS PROHIBITED.</p>		SCALE: 15:1	SHEET 1 OF 1