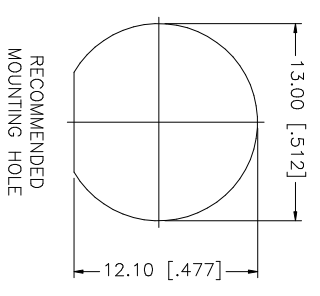
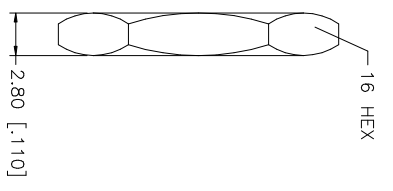
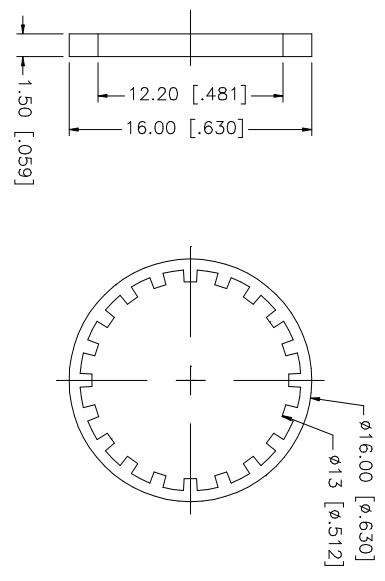
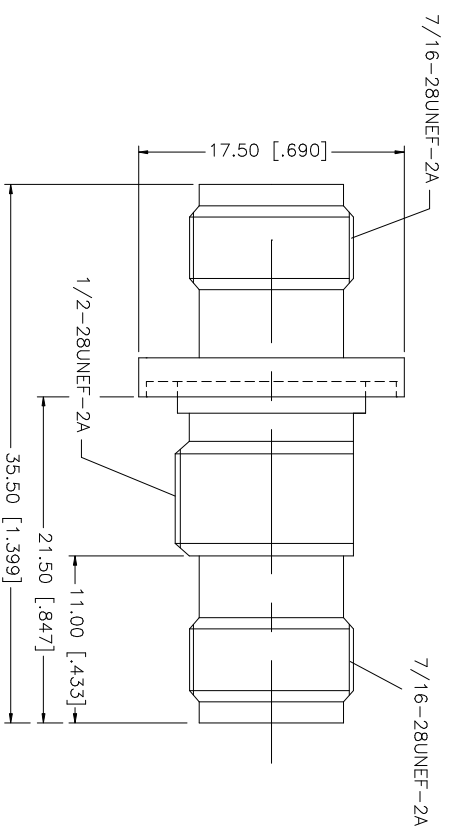


REV.	DATE	DESCRIPTION
NC	06/20/03	INITIAL RELEASE



9																				
8																				
7																				
6	HEX NUT	BRASS	NICKEL	1																
5	LOCK WASHER	BRASS	NICKEL	1																
4	GASKET	RUBBER	RED	1																
3	CONTACT PIN	PHOS. BRONZE	GOLD	1																
2	INSULATOR	DELRI	NATURAL	1																
1	BODY	BRASS	NICKEL	1																
	DESCRIPTION	MATERIAL	FINISH	QTY																
					UNLESS OTHERWISE SPECIFIED DIMENSIONS ARE IN MILLIMETERS. DIMENSIONS IN [] ARE IN INCHES AND FOR CUSTOMER REFERENCE ONLY. TOLERANCES FOR MILLIMETERS ARE: 0.5 - 8mm ± 0.20mm 8 - 30mm ± 0.40mm 30 - 120mm ± 0.50mm UNLESS OTHERWISE SPECIFIED TOLERANCES FOR INCHES ARE: .020 - .315 = ± 0.007" .315 - 1.180 = ± 0.015" 1.180 - 4.724 = ± 0.020"					APPROVALS DRAWN G.R.S. CHECKED ISSUED SHEET 1 OF 1					DATE 06/20/03 PART DESCRIPTION TNC FEMALE TO FEMALE BULKHEAD ADAPTOR PART NO. 122342					
DO NOT SCALE DRAWING					CAD FILE C:/122/122342.DWG					DWG. NO. 122342.DWG					REV. NC		SIZE A		SCALE NA	

Amphenol **Connex**

TNC FEMALE TO FEMALE BULKHEAD ADAPTOR

122342