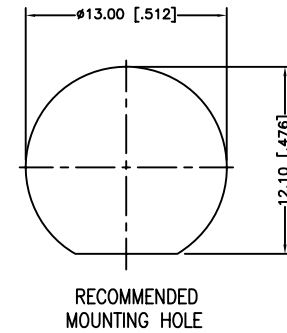
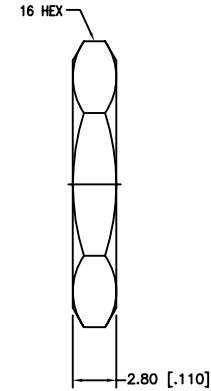
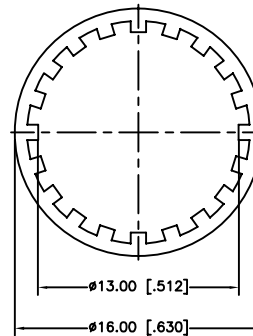
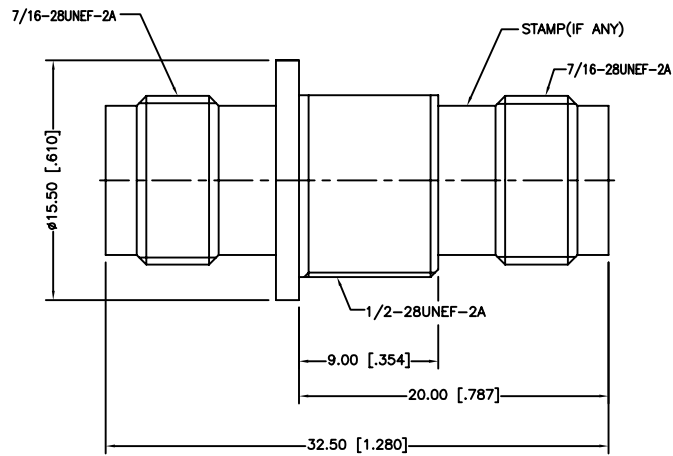


REV.	DATE	ECR NO.	DESCRIPTION
NC	07/08/10	XXXXXX	INITIAL RELEASE



1. FREQUENCY RANGE: 0 - 11 GHz
2. IMPEDANCE: 50 OHM

<small>UNLESS OTHERWISE SPECIFIED DIMENSIONS ARE IN MILLIMETERS. DIMENSIONS IN [] ARE IN INCHES AND FOR CUSTOMER REFERENCE ONLY.</small> <small>UNLESS OTHERWISE SPECIFIED TOLERANCES FOR MILLIMETERS ARE: 0.5 - 8mm ± 0.20mm 8 - 30mm ± 0.40mm 30 - 120mm ± 0.50mm</small> <small>UNLESS OTHERWISE SPECIFIED TOLERANCES FOR INCHES ARE: .020 - .315 = ± 0.007" .315 - 1.180 = ± 0.015" 1.180 - 4.724 = ± 0.020"</small>				APPROVALS		DATE		<h1 style="color: blue;">Amphenol Connex</h1>																															
				DRAWN M.ZHANG		07/08/10																																	
<table border="1" style="width: 100%; border-collapse: collapse;"> <tr> <th>QTY</th> <th>FINISH</th> <th>MATERIAL</th> <th>DESCRIPTION</th> </tr> <tr> <td>1</td> <td>NICKEL</td> <td>BRASS</td> <td>HOUSING</td> </tr> <tr> <td>2</td> <td>NICKEL</td> <td>BRASS</td> <td>BODY</td> </tr> <tr> <td>2</td> <td>NATURAL</td> <td>DELTRIN</td> <td>INSULATOR</td> </tr> <tr> <td>1</td> <td>GOLD</td> <td>PHOSPHOR BRONZE</td> <td>CONTACT PIN</td> </tr> <tr> <td>1</td> <td>NICKEL</td> <td>BRASS</td> <td>LOCK WASHER</td> </tr> <tr> <td>1</td> <td>NICKEL</td> <td>BRASS</td> <td>HEX NUT</td> </tr> </table>				QTY	FINISH	MATERIAL	DESCRIPTION	1	NICKEL	BRASS	HOUSING	2	NICKEL	BRASS	BODY	2	NATURAL	DELTRIN	INSULATOR	1	GOLD	PHOSPHOR BRONZE	CONTACT PIN	1	NICKEL	BRASS	LOCK WASHER	1	NICKEL	BRASS	HEX NUT	CHECKED				PART DESCRIPTION TNC FEMALE TO FEMALE BULKHEAD ADAPTOR			
				QTY	FINISH	MATERIAL	DESCRIPTION																																
1	NICKEL	BRASS	HOUSING																																				
2	NICKEL	BRASS	BODY																																				
2	NATURAL	DELTRIN	INSULATOR																																				
1	GOLD	PHOSPHOR BRONZE	CONTACT PIN																																				
1	NICKEL	BRASS	LOCK WASHER																																				
1	NICKEL	BRASS	HEX NUT																																				
ISSUED																																							
<small>DO NOT SCALE DRAWING</small>				SHEET 1 OF 1				PART NO. 122344																															
				CAD FILE C:/CONNEX/122344.DWG																																			
				DWG. NO. 122344.DWG		REV. NC		SIZE A		SCALE NA																													