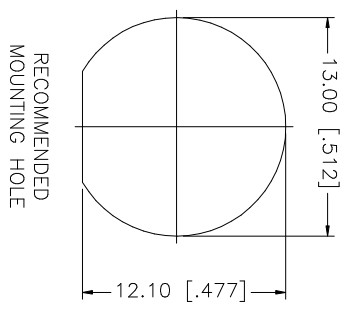
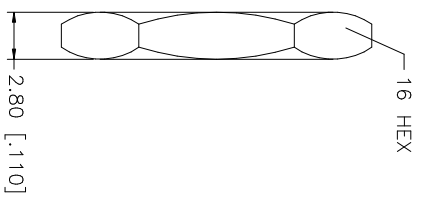
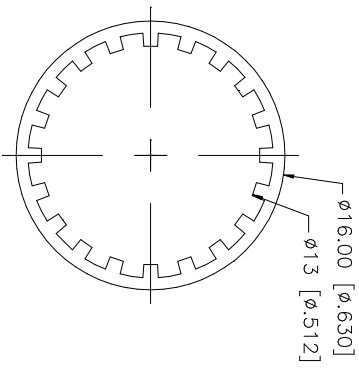
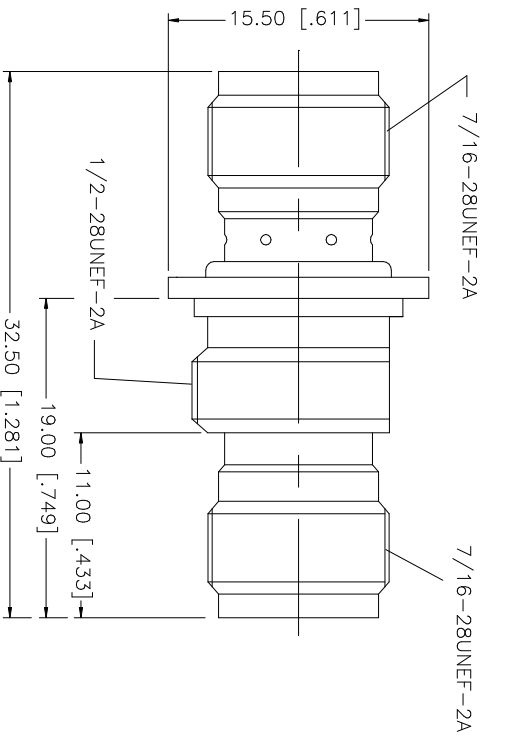


REV.	DATE
NC	05/31/06

DESCRIPTION
INITIAL RELEASE



NO.	DESCRIPTION	MATERIAL	FINISH	QTY	UNLESS OTHERWISE SPECIFIED DIMENSIONS ARE IN MILLIMETERS. DIMENSIONS IN [] ARE IN INCHES AND FOR SUBSTITUTED REFERENCE ONLY.	APPROVALS	DATE	PART NO.	DWG. NO.	REV.	SIZE	SCALE
8					UNLESS OTHERWISE SPECIFIED DIMENSIONS ARE IN MILLIMETERS. DIMENSIONS IN [] ARE IN INCHES AND FOR SUBSTITUTED REFERENCE ONLY. TOLERANCES FOR MILLIMETERS ARE: 0.5 - 8mm ± 0.20mm 8 - 30mm ± 0.40mm 30 - 120mm ± 0.50mm UNLESS OTHERWISE SPECIFIED DIMENSIONS FOR INCHES ARE: .020 - .315 = ± 0.007" .315 - 1.180 = ± 0.015" 1.180 - 4.724 = ± 0.020"							
7						DRAWN	G.R.S.	05/31/06				
6						CHECKED						
5	HEX NUT	BRASS	NICKEL	1		ISSUED						
4	LOCK WASHER	BRASS	NICKEL	1		SHEET	1 OF 1					
3	CONTACT PIN	PHOS. BRONZE	GOLD	1								
2	INSULATOR	DELFIN	NATURAL	2								
1	BODY	BRASS	NICKEL	1								
	DESCRIPTION				DO NOT SCALE DRAWING							
					CAD FILE	C:/122/122346.DWG						
					Amphenol Connex TNC FEMALE TO FEMALE BULKHEAD ISOLATED ADAPTER 122346							
					PART DESCRIPTION PART NO. 122346							