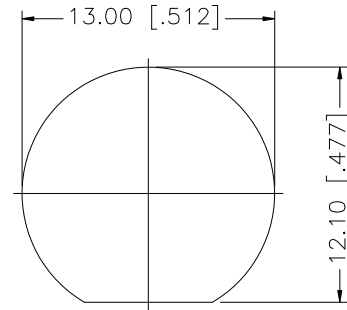
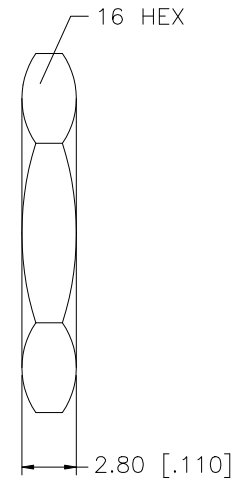
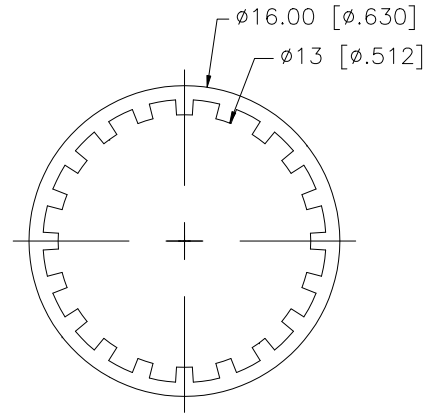
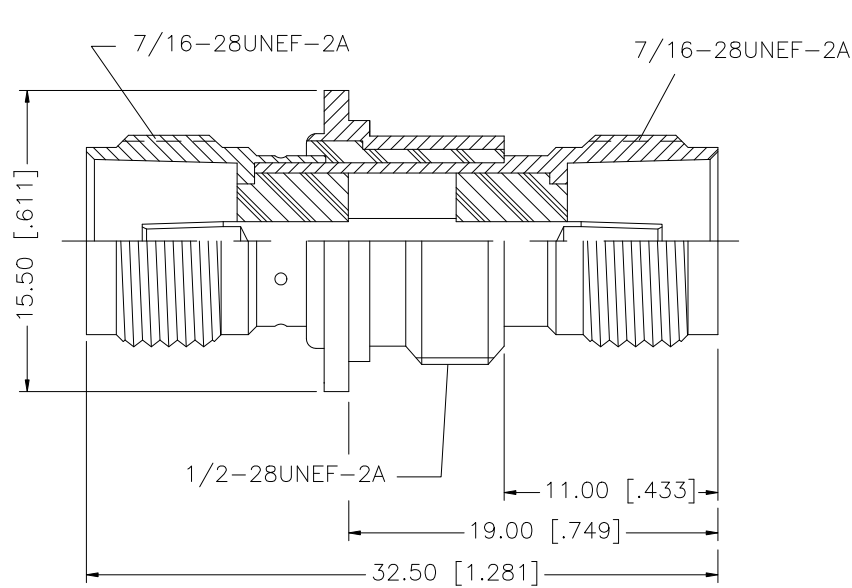


REV.	DATE	DESCRIPTION
NC	10/27/07	INITIAL RELEASE



RECOMMENDED  
MOUNTING HOLE

QTY	DESCRIPTION	MATERIAL	FINISH	QTY
1	BODY	BRASS	NICKEL	1
2	INSULATOR	DELTRIN	NATURAL	2
3	CONTACT PIN	PHOS. BRONZE	GOLD	1
4	INSULATOR	DELTRIN	NATURAL	1
5	LOCK WASHER	BRASS	NICKEL	1
6	HEX NUT	BRASS	NICKEL	1

UNLESS OTHERWISE SPECIFIED DIMENSIONS ARE IN MILLIMETERS. DIMENSIONS IN [ ] ARE IN INCHES AND FOR CUSTOMER REFERENCE ONLY.

UNLESS OTHERWISE SPECIFIED TOLERANCES FOR MILLIMETERS ARE:  
0.5 - 8mm  $\pm 0.20$ mm  
8 - 30mm  $\pm 0.40$ mm  
30 - 120mm  $\pm 0.50$ mm

UNLESS OTHERWISE SPECIFIED TOLERANCES FOR INCHES ARE:  
.020 - .315 =  $\pm 0.007$ "  
.315 - 1.180 =  $\pm 0.015$ "  
1.180 - 4.724 =  $\pm 0.020$ "

DO NOT SCALE DRAWING

APPROVALS	DATE
DRAWN G.R.S.	10/27/07
CHECKED	
ISSUED	
SHEET 1 OF 1	
CAD FILE	C:/122/122347.DWG

**Amphenol Connex**

TNC FEMALE TO FEMALE BULKHEAD  
ISOLATED ADAPTER - 75ohms

PART NO. 122347

DWG. NO. 122347.DWG	REV. NC	SIZE A	SCALE NA
---------------------	---------	--------	----------