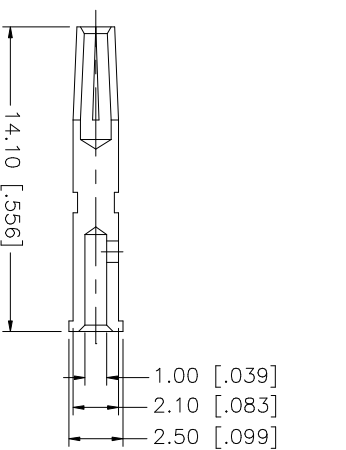
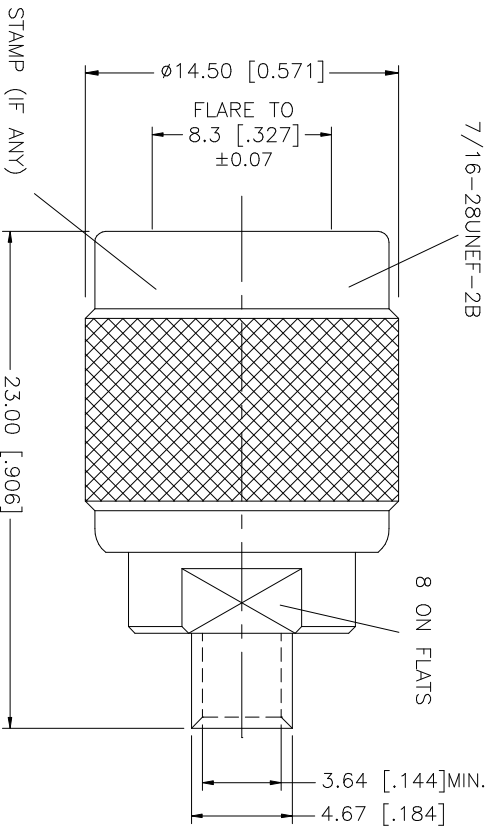
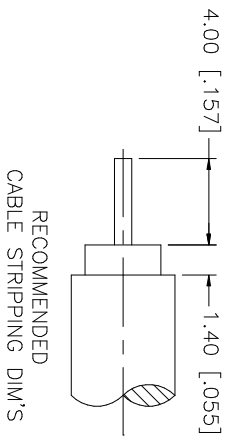


REV.	DATE	DESCRIPTION
NC	08/01/05	INITIAL RELEASE



NOTE:
1. CRIMPED CONTACT PIN
HEX CRIMP SIZE .068"

8																					
7																					
6																					
5																					
4																					
3	CONTACT PIN	PHOS. BRONZE	GOLD	1																	
2	INSULATOR	TEFLON	NATURAL	1																	
1	SHELL	BRASS	NICKEL	1																	
	DESCRIPTION	MATERIAL	FINISH	QTY																	
					UNLESS OTHERWISE SPECIFIED DIMENSIONS ARE IN MILLIMETERS; DIMENSIONS IN [] ARE IN INCHES AND FOR CUSTOMER REFERENCE ONLY. UNLESS OTHERWISE SPECIFIED TOLERANCES FOR MILLIMETERS ARE: 0.5 - 8mm ± 0.20mm 8 - 30mm ± 0.40mm 30 - 120mm ± 0.50mm UNLESS OTHERWISE SPECIFIED TOLERANCES FOR INCHES ARE: .020 - .315 = ± 0.007" .315 - 1.180 = ± 0.015" 1.180 - 4.124 = ± 0.020"					APPROVALS DRAWN G.R.S. 08/01/05 CHECKED ISSUED SHEET 1 OF 1					CAD FILE C:/122/122386RP.DWG DWG. NO. 122386RP.DWG REV. NC SIZE A SCALE NA						
Amphenol Connex PART DESCRIPTION TNC REVERSE POLARITY DIRECT SOLDER PLUG PART NO. 122386RP																					