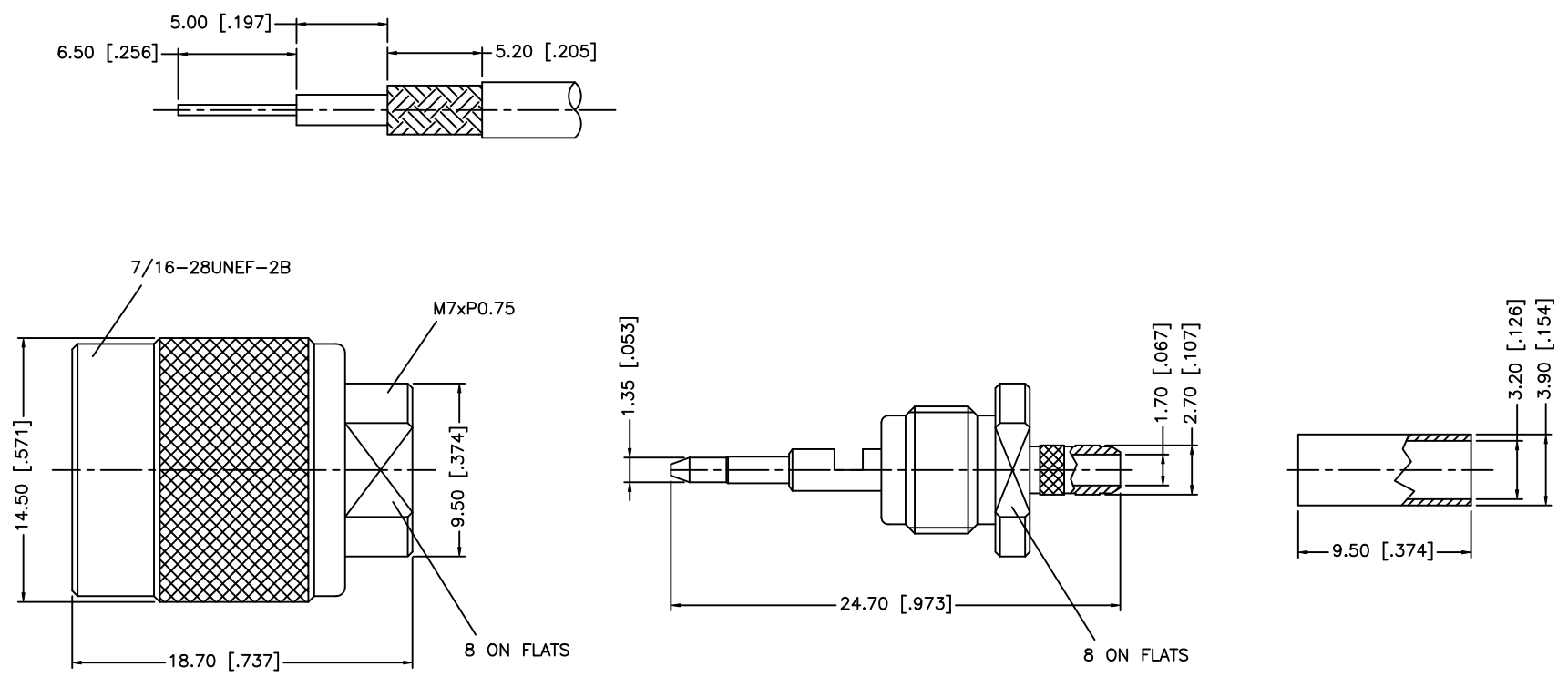


REV.	DATE	ECR NO.	DESCRIPTION
NC	06/11/97	-	INITIAL RELEASE
A	11/08/08	-	UPDATE DRAWING FORMAT



QTY	FINISH	MATERIAL	DESCRIPTION
1	NICKEL	BRASS	BODY
1	NATURAL	PTFE	INSULATOR
1	GOLD	BRASS	CONTACT PIN
1	NICKEL	BRASS	BARREL
1	NICKEL	BRASS	FERRULE

UNLESS OTHERWISE SPECIFIED DIMENSIONS ARE IN MILLIMETERS. DIMENSIONS IN [] ARE IN INCHES AND FOR CUSTOMER REFERENCE ONLY.

UNLESS OTHERWISE SPECIFIED TOLERANCES FOR MILLIMETERS ARE:
0.5 - 8mm ± 0.20mm
8 - 30mm ± 0.40mm
30 - 120mm ± 0.50mm

UNLESS OTHERWISE SPECIFIED TOLERANCES FOR INCHES ARE:
.020 - .315 = ± 0.007"
.315 - 1.180 = ± 0.015"
1.180 - 4.724 = ± 0.020"

DO NOT SCALE DRAWING

APPROVALS	DATE
DRAWN GRS	11/08/08
CHECKED	
ISSUED	
SHEET 1 OF 1	
CAD FILE	C:/122/122395.DWG

Amphenol Connex

PART DESCRIPTION
TNC CRIMP PLUG
(FOR 174/U, 316/U CABLE - HIGH FREQUENCY)

PART NO.
122395

DWG. NO.	122395.DWG	REV.	A	SIZE	A	SCALE	NA
----------	------------	------	---	------	---	-------	----