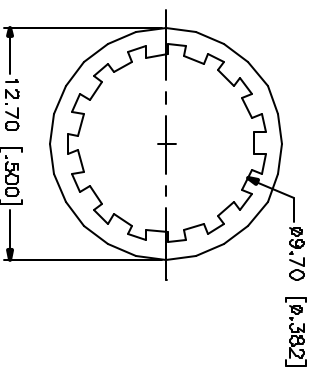
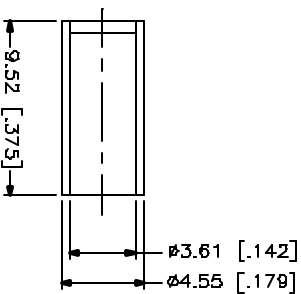
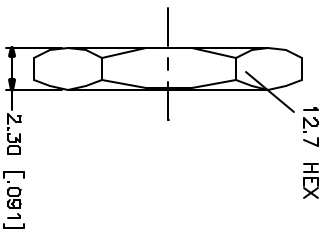
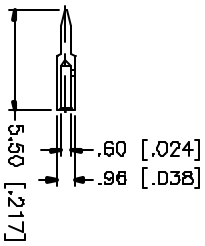
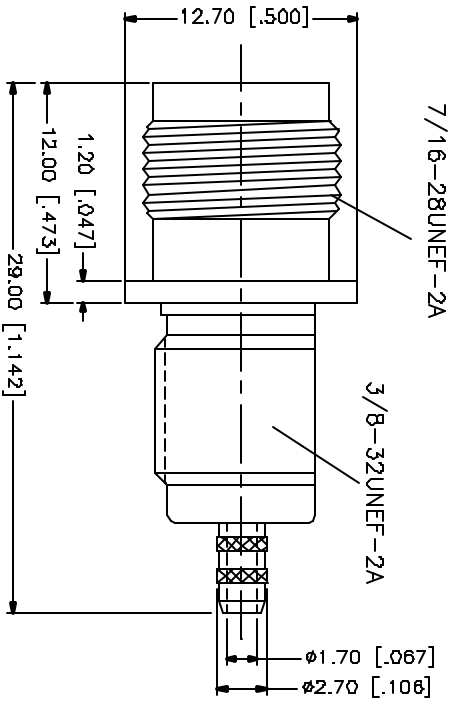
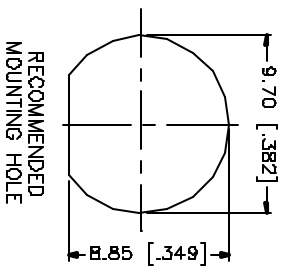
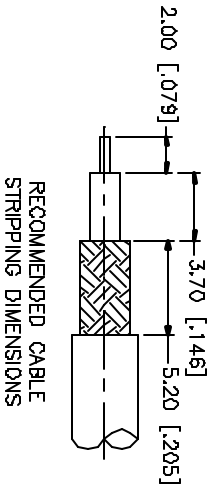


REV.	DATE	DESCRIPTION
NC	02/02/05	INITIAL RELEASE



**CRIMP NOTES:**

1. CRIMPED CONTACT PIN  
HEX CRIMP SIZE ".151"
2. CONTACT PIN TO SOLDER
3. MAX. PANEL THICKNESS = 7 mm

NO.	DESCRIPTION	MATERIAL	FINISH	QTY	DO NOT SCALE DRAWING
1	INSULATOR BODY	BRASS	NICKEL	1	1.180 - 4.724 = ± 0.020"
2	INSULATOR BODY	BRASS	NICKEL	1	.315 - 1.180 = ± 0.015"
3	CONTACT PIN	PHOS. BRONZE	GOLD	1	.220 - .315 = ± 0.007"
4	FERRULE	COPPER	NICKEL	1	1.180 - 4.724 = ± 0.020"
5	LOCK WASHER	BRASS	NICKEL	1	VALVES DIMENSIONS REFER TO THE DRAWING FOR THE PART NUMBER AND THE DIMENSIONED DATA.
6	HEX NUT	BRASS	NICKEL	1	VALVES DIMENSIONS REFER TO THE DRAWING FOR THE PART NUMBER AND THE DIMENSIONED DATA.
7	HEX NUT	BRASS	NICKEL	1	VALVES DIMENSIONS REFER TO THE DRAWING FOR THE PART NUMBER AND THE DIMENSIONED DATA.
8	DESCRIPTION	MATERIAL	FINISH	QTY	DO NOT SCALE DRAWING

**Amphenol Connex**

**TNC BULKHEAD CRIMP JACK FRONT MOUNT**  
(FOR RG-316U/D CABLE)

122501

DWG. NO. 122501.DWG REV. NC SIZE A SCALE NA