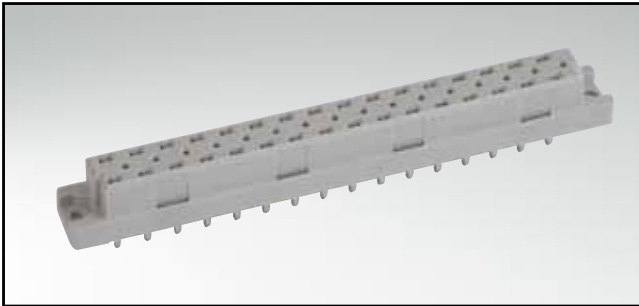


TYPE D

Female connector – straight – 16 and 32 positions

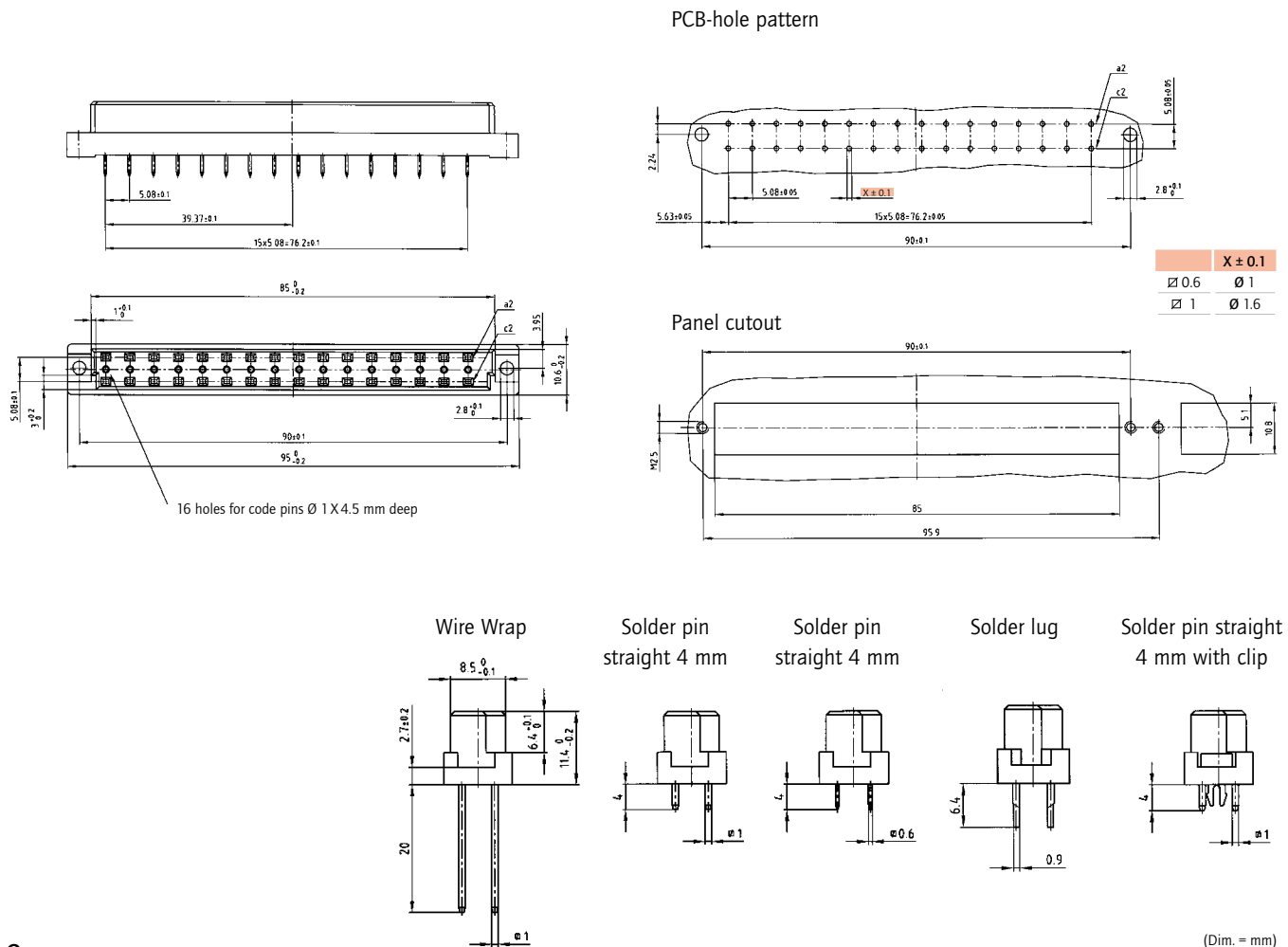


RoHS compliant

DESCRIPTION

- Solder pin, wire wrap and solder lug
- Quality class 3 (also available in quality class 2 or 1)
- Special assembly on request

PRODUCT DRAWING



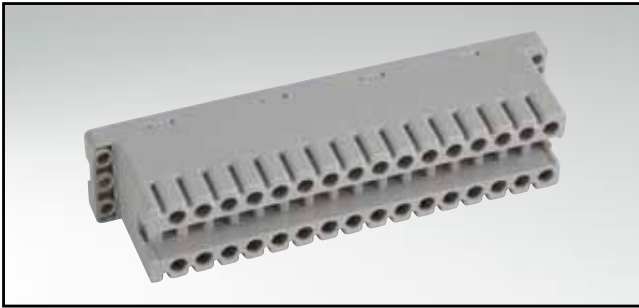
ORDER DATA

| No. of Pos. | Row | • = contact, + = no contact | | | | Wire Wrap | Solder pin straight 4.0 mm $\varnothing 1$ mm | Solder pin straight 4.0 mm $\varnothing 0.6$ mm | Solder lug | Solder pin straight 4mm $\varnothing 1$ mm w. clip |
|-------------|-----|-----------------------------|---|---|---|---------------|---|---|---------------|--|
| | | Pos. | 2 | 4 | 6 | | | | | |
| 16 | a | • | + | • | + | 122 A 10919 X | 122 A 10939 X | 122 A 13079 X | 122 A 10959 X | 122 A 13349 X |
| | c | • | + | • | + | | | | | |
| 32 | a | • | • | • | • | 122 A 10929 X | 122 A 10949 X | 122 A 13089 X | 122 A 10969 X | 122 A 13359 X |
| | c | • | • | • | • | | | | | |

Clip for hole diameter $2.8 + 0.1$ mm, PCB thickness = 1.6 mm

TYPE D WITH SCREW TERMINATION

Female connector – straight – 32 positions

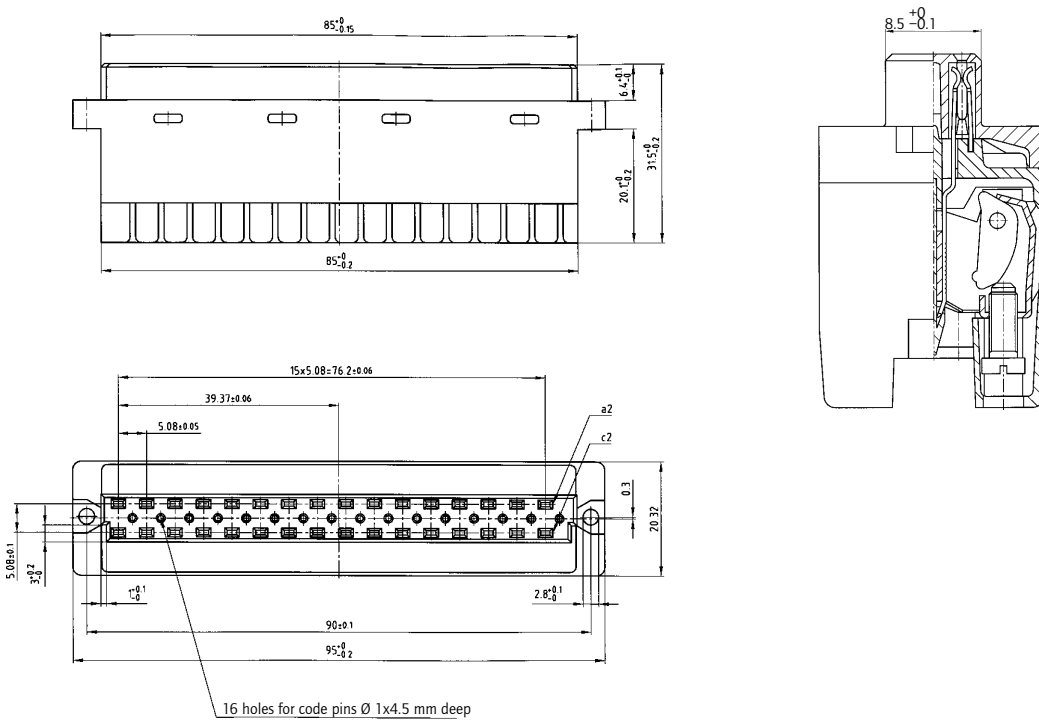


RoHS compliant

TECHNICAL DATA

| | |
|------------------------|-----------------|
| Conductor size: | AWG 24 to 16 |
| Operating voltage: | 6 A |
| Rated voltage: | 300 / 250 V~ |
| Insulator: | PBT GF grey |
| Operating temperature: | -55°C to +120°C |
| Flammability: | UL 94 V-0 |
| Material: | Copper alloy |
| Contact plating: | Quality class 2 |
| Screw connection: | Steel |

PRODUCT DRAWING



ORDER DATA

(Dim. = mm)

| No. of Pos. | Row | Female connector | Latches with strain relief angled | Latches without strain relief straight |
|-------------|--------|------------------|-----------------------------------|--|
| 32 | c a | 122 B 13029 X | 12-500600 | 12-500590 |