

THIS DRAWING IS UNPUBLISHED.

RELEASED FOR PUBLICATION

2013

© COPYRIGHT 2013 BY -

ALL RIGHTS RESERVED.

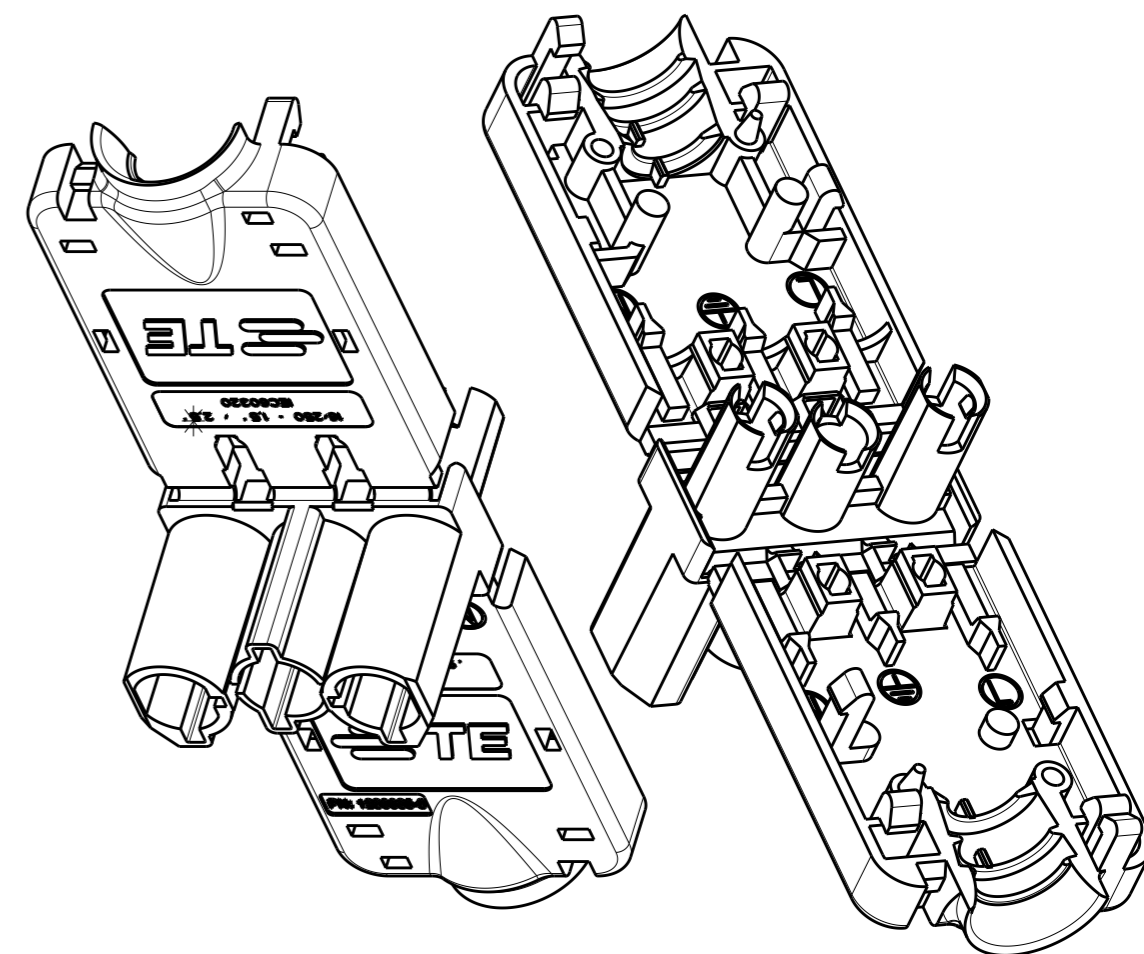
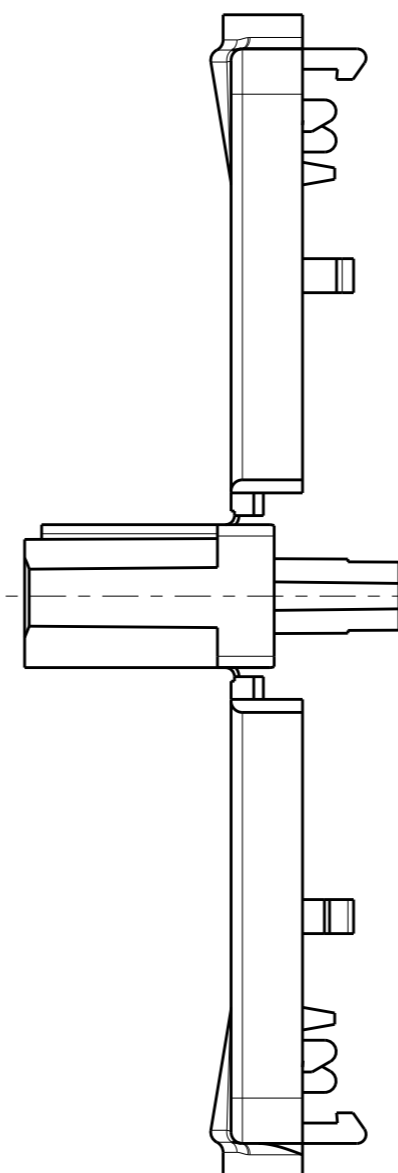
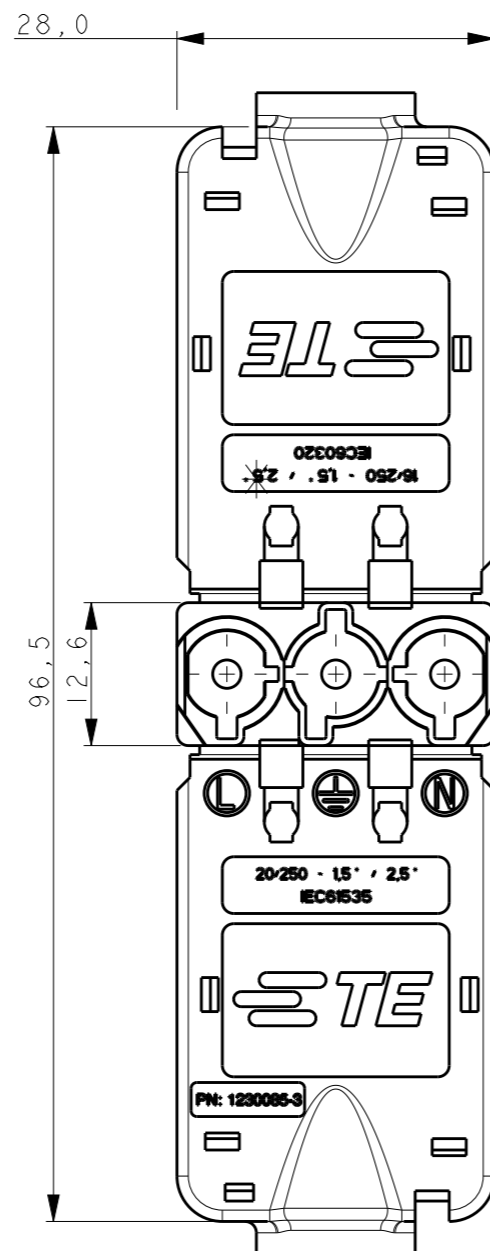
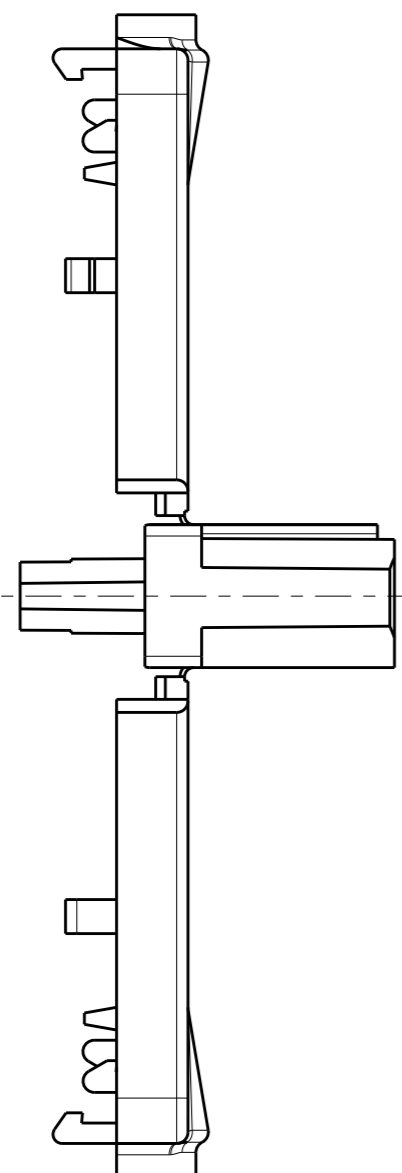
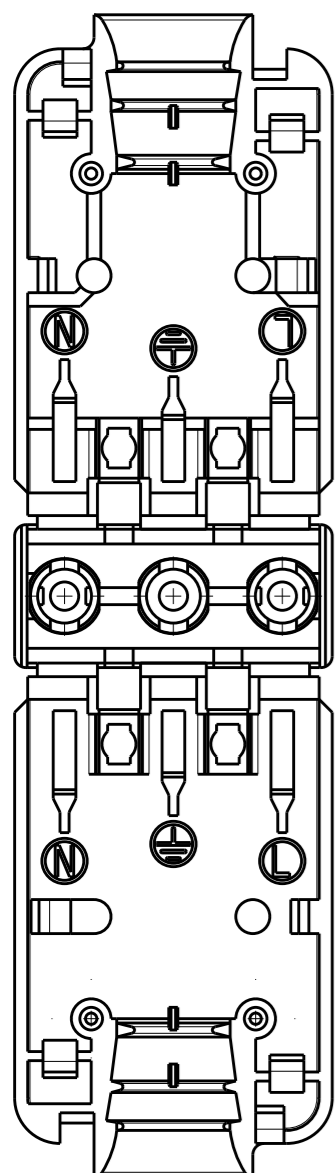
LOC
H

DIST
-

REVISIONS

P	LTR	DESCRIPTION	DATE	DWN	APVD
G		ECR-13-010703	02JUL2013	DJS	JC
H		ECR-13-016009	15OCT2013	DJS	JC
J		ECR-13-017414	07NOV2013	DJS	JC
K		ECR-14-012732	12AUG2014	KR	JC

NOTES:
I COLOUR: BLACK



THIS DRAWING IS A CONTROLLED DOCUMENT.	
DIMENSIONS: mm	TOLERANCES UNLESS OTHERWISE SPECIFIED:
	0 PLC ±-
	1 PLC ±-
	2 PLC ±-
	3 PLC ±-
	4 PLC ±-
	ANGLES ±° .'
MATERIAL PA6	FINISH -

DWN	A.V. ROESSEL
CHK	M.V. DRIEL
APVD	M.V. DRIEL
PRODUCT SPEC	-
APPLICATION SPEC	-
WEIGHT	-
Customer Drawing	

TE Connectivity		NAME	
		TE NECTOR, MALE CABLE CONNECTOR	
SIZE	CAGE CODE	DRAWING NO	RESTRICTED TO
A300779	C	1230085-3	-
SCALE 3:2		SHEET 1 OF 1	REV K