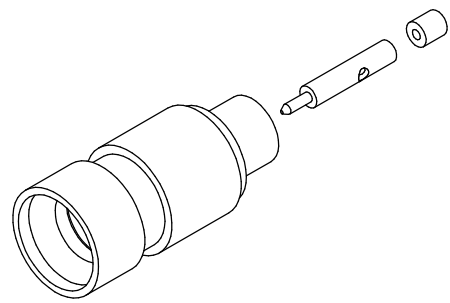
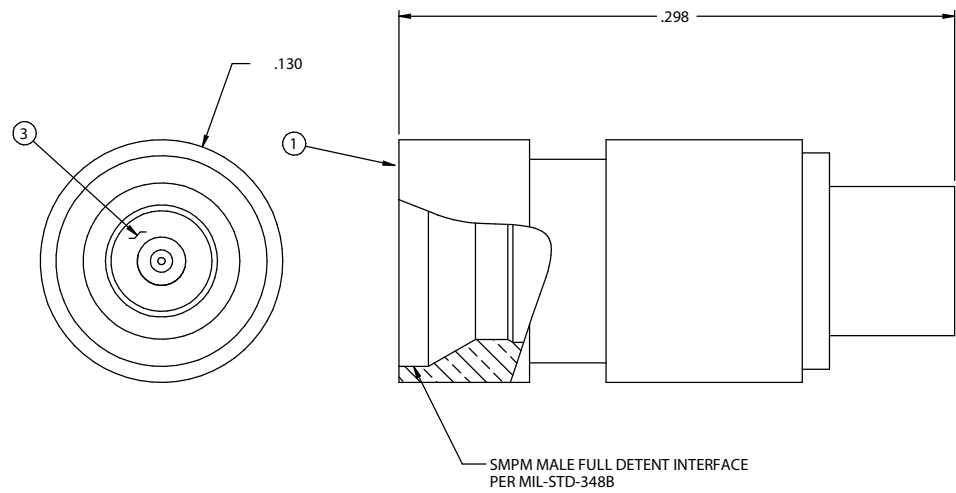


PART NUMBER	ITEM 5 BODY	ITEM 4 CONTACT	ITEM 3 INSULATOR	ITEM 2 CABLE STOP
125-0592-001	BERYLLIUM COPPER GOLD PL. .00005 MIN OVER NICKEL PL.00005 MIN OVER COPPER PL.00005 MIN	BERYLLIUM COPPER GOLD PL. .00005 MIN OVER NICKEL PL.00005 MIN OVER COPPER PL.00005 MIN	TEFLON	TEFLON

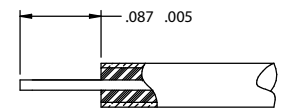
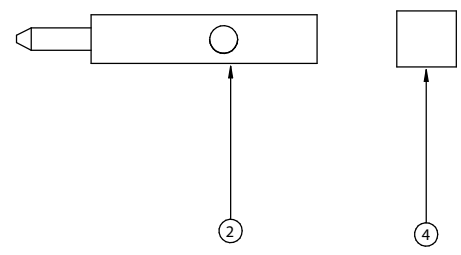
DRAWING NO. 125-0592-001				
REVISIONS				
1	RELEASE	R	L	ECO-13-0205
	7-28-2013	S	M	

D
C
B
A

D
C
B
A



10:1



CABLE STRIP DIMENSION

10:1

SPECIFICATION:

IMPEDANCE: 50 OHMS
 FREQUENCY RANGE: 0-40GHz
 VSWR: 1.15 MAX TO 26.5GHz, 1.30 MAX TO 40GHz
 INSERTION LOSS: 0.12 F dB MAX (F IN GHz)
 DIELECTRIC WITHSTANDING VOLTAGE: 325 VRMS MIN AT SEA LEVEL
 INSULATION RESISTANCE: 5000 MEGOHM MIN
 CONTACT RESISTANCE:
 CENTER CONTACT - INITIAL 6 MILLIOHM MAX, AFTER ENVIRONMENTAL NOT APPLICABLE
 OUTER CONDUCTOR - INITIAL 2 MILLIOHM MAX, AFTER ENVIRONMENTAL NOT APPLICABLE
 RF LEAKAGE: -80dB TYPICAL AT 3GHz

MECHANICAL:

ENGAGEMENT FORCE: 4.5LBS TYPICAL
 DISENGAGEMENT FORCE: 6.5LBS TYPICAL
 CONTACT RETENTION: 1.5 LBS MIN AXIAL FORCE
 DURABILITY: 100 CYCLES MIN

ENVIRONMENTAL:

OPERATING TEMPERATURE: -65 TO 165°C
 THERMAL SHOCK: MIL-STD-202, METHOD 107, CONDITION B
 MECHANICAL SHOCK: MIL-STD-202, METHOD 213, CONDIT ION I
 CORROSION: MIL-STD-202, METHOD 101
 VIBRATION: MIL-STD-202, METHOD 204
 MOISTURE RESISTANCE: MIL-STD-202, MEHTOD 106, EXC EPT STEP 7B

THIS DRAWING TO BE INTERPRETED PER ANSI Y 14.5M - 1994

CUSTOMER COPY

TOLERANCE UNLESS OTHERWISE SPECIFIED		DRAWN BY R.SHEN	DATE 1-27-2013
DECIMALS	INCH	CHECKED BY R.SHEN	DATE 1-27-2013
X.X	±0.010	APPROVED BY L.MA	DATE 1-28-2013
X.XX	±0.005	U/M	INCH
X.XXX	±0.003	THIS DRAWING WAS PRODUCED BY COMPUTER, DO NOT SCALE DRAWING OR UPDATE MANUALLY.	
ANGLES	±0.5		

cinch
CONNECTIVITY SOLUTIONS

Connectivity Solutions

TITLE
SMPM MALE FULL DETENT STRAIGHT CABLED .047 SEMI-RIGID

SHEET 1 OF 1	DRAWING NO. 125-0592-001	SIZE C
-----------------	-----------------------------	-----------

5

4

3

2

1