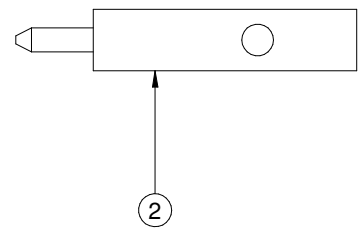
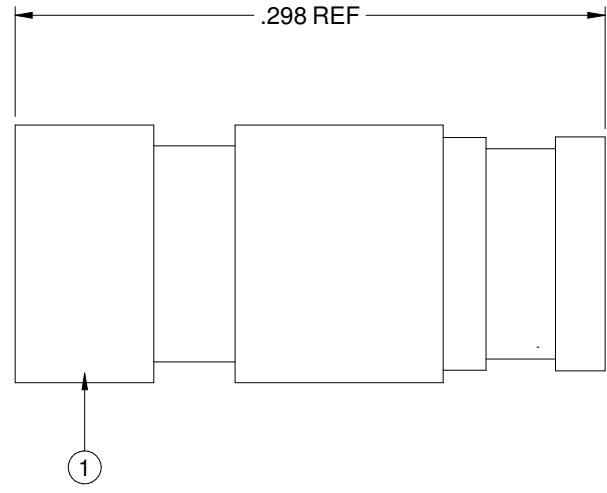
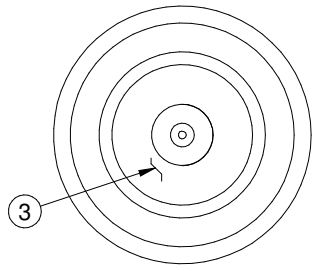


REV	ECO	DATE
1	ECO-16-0037	4/7/2016

PART NUMBER	ITEM ① BODY	ITEM ② CONTACT	ITEM ③ INSULATOR
125-0593-001	BERYLLIUM COPPER GOLD PL .00005 MIN OVER NICKEL PL.00005 MIN OVER COPPER PL.00005 MIN	BERYLLIUM COPPER GOLD PL .00005 MIN OVER NICKEL PL.00005 MIN OVER COPPER PL.00005 MIN	TEFLON



SPECIFICATION:

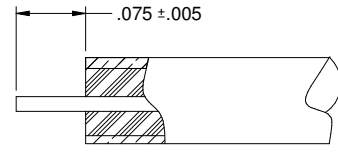
IMPEDANCE: 50 OHMS
 FREQUENCY RANGE: 0-40GHz
 VSWR: 1.15 MAX TO 26.5GHz, 1.30 MAX TO 40GHz
 INSERTION LOSS: 0.12 √F dB MAX (F IN GHz)
 DIELECTRIC WITHSTANDING VOLTAGE: 325 VRMS MIN AT SEA LEVEL
 INSULATION RESISTANCE: 5000 MEGOHM MIN
 CONTACT RESISTANCE:
 CENTER CONTACT - INITIAL 6 MILLIOHM MAX, AFTER ENVIRONMENTAL NOT APPLICABLE
 OUTER CONDUCTOR - INITIAL 2 MILLIOHM MAX, AFTER ENVIRONMENTAL NOT APPLICABLE
 RF LEAKAGE: -80dB TYPICAL AT 3GHz

MECHANICAL:

ENGAGEMENT FORCE: 4.5LBS TYPICAL
 DISENGAGEMENT FORCE: 6.5LBS TYPICAL
 CONTACT RETENTION: 1.5 LBS MIN AXIAL FORCE
 DURABILITY: 100 CYCLES MIN

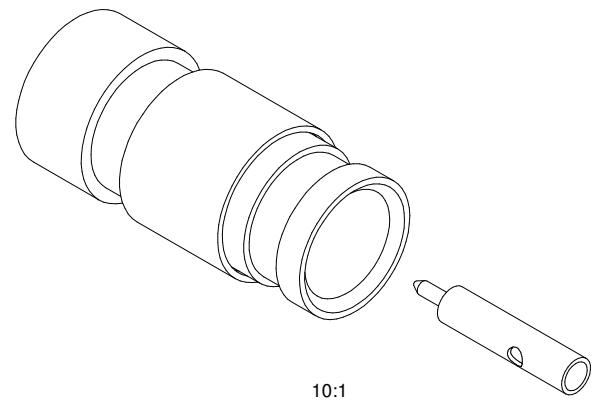
ENVIRONMENTAL:

OPERATING TEMPERATUR: -65 TO 165 °C
 THERMAL SHOCK: MIL-STD-202, METHOD 107, CONDITION B
 MECHANICAL SHOCK: MIL-STD-202, METHOD 213, CONDITION I
 CORROSION: MIL-STD-202, METHOD 101
 VIBRATION: MIL-STD-202, METHOD 204
 MOISTURE RESISTANCE: MIL-STD-202, MEHTOD 106, EXCEPT STEP 7B



CABLE STRIP DIMENSION

10:1



<p>The PROPRIETARY Document is property of Cinch Connectivity Solutions. No reproduction, distribution, or disclosure of this document is permitted without the express written permission of Cinch Connectivity Solutions.</p> <p>INTERPRET DRAWINGS IN ACCORDANCE WITH ASME Y14.5-2009</p>	Material: SEE NOTE	Model No.: RoHS2 <input checked="" type="checkbox"/> 2011/65/EU	Cage Code: 3RD ANGLE PROJECTION	Title: SMPM MALE FULL DETENT SR .086" STRAIGHT
	Finish: SEE NOTE Workmanship Std:	UNLESS OTHERWISE SPECIFIED .XX ±.01 .XXX ±.003 .XXXX ±.0010 ANGLES ±1°00'	Drawn by: R.SHEN	Date: 4/7/2016
Drawing No.: 125-0593-001				Rev.: 1
				Sheet 1 of 1